

505 CREW HEADSET, HANGER INSTALLATION INSTRUCTIONS

MODELS: 505

Table of Contents

<u>Section</u>	<u>Description</u>	<u>Page</u>
1	Description	2
2	Installation & Removal Instructions 505 Crew Headset, Hanger	3
	Applicability	3
	General Notes	3
	Installation Instructions 505 Crew Headset, Hanger	7
	Removal Instructions	9

Notes

1. If changes to this document are required, Alpine Aerotech LP shall revise all pages and reissue the entire document.
2. Alpine Aerotech LP shall make any subsequent revisions of this document available free of charge upon request. Alpine Aerotech LP also recommends that the end user of this product periodically verify the revision level of this document.

SECTION 1 DESCRIPTION

The following information provides installation instructions for the 505 Crew Headset Hanger, Assy as defined in Alpine Aerotech LP datasets AAL-391-034-001.


- The 505 Crew Headset Hanger, Assy is comprised of an Adaptor that fastens to the center extrusion of the aircraft roof, and two Single Lug Hanger #10, Assy's, that are removable to allow the OEM headliner to be removed and re-installed.

SECTION 2 INSTALLATION & REMOVAL INSTRUCTIONS

Applicability

The 505 Crew Headset, Hanger (AAL-391-031-001) is applicable to all serial numbers of Bell 505 rotorcraft with OEM interiors.

General Notes

1. All Installation Instructions shall be accomplished IAW standard aircraft practices. Refer to the current revision of the FAA publications AC 43.13-1B and AC 43.13-2B for details on standard aircraft practices.
 2. All Dimensions are in imperial measures (inches/pounds).
 3. Refer to Section 4: AAL-391-035-701 Maintenance Instructions section for instructions on maintenance for the item(s) referenced within this section.
 4. Refer to the Section 9: AAL-391-035-701 Illustrated Parts Breakdown for the part numbers of the item(s) referenced within this section.
 5. Ensure that no existing wiring/components are compromised by this installation.
-  Apply Loctite 272. Not included.

Installation Instructions

1. Gain access to the ceiling of the aircraft and make ready for maintenance.
2. For aircraft with the headliner installed, temporarily remove headliner and gain access to the center roof extrusion. See Figure 1.



Figure 1

3. Drill out 2x rivets retaining the existing modified Adel clamps and discard. Drill out the two remaining rivets holding the lamp fitting. See Figure 2.

NOTE: Ensure that no existing wiring or control components sustain damage when removing 4x rivets.

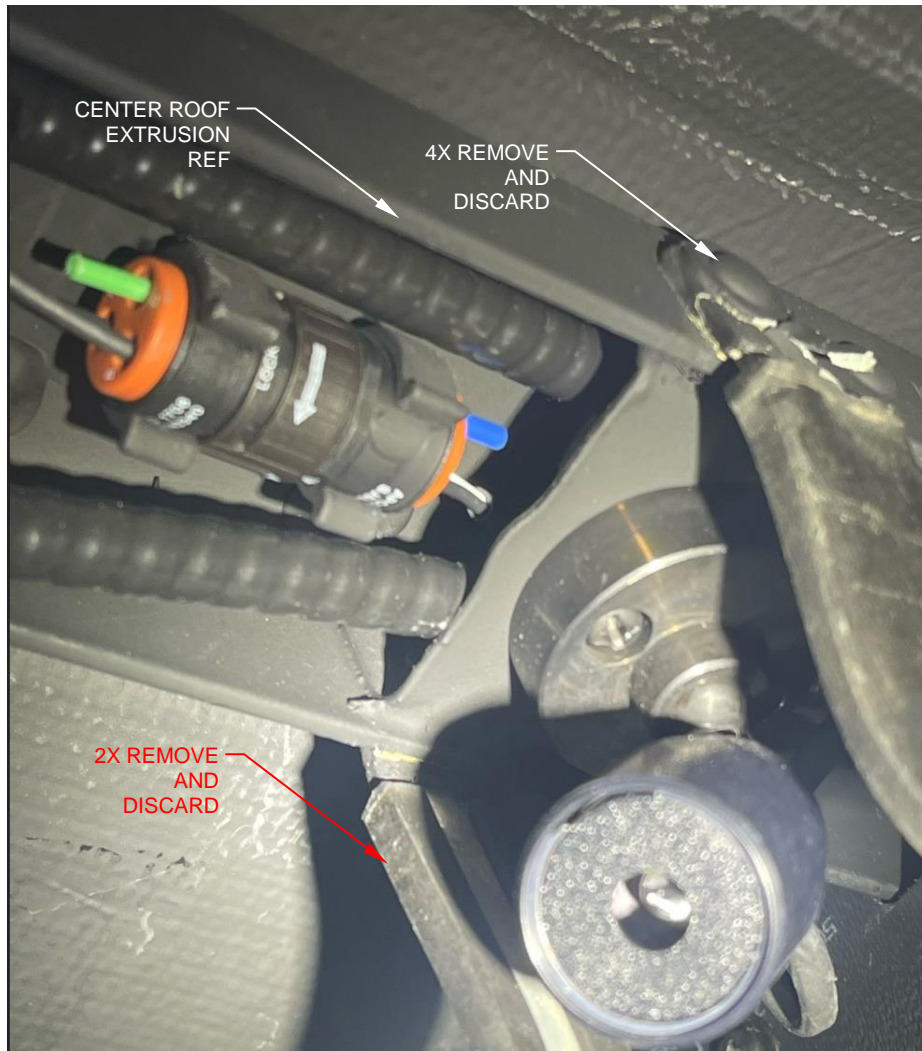


Figure 2

4. Drill out 4x existing rivet holes using a 13/64 drill to accommodate #10 fasteners.

NOTE: Ensure that no existing wiring or control components sustain damage when upsizing 4x holes.

5. Install the Adaptor Bracket, Detail, Item 1, using 4X Screw Machine, Detail, Item 7, 4X Nut, Self Locking, Item 8, and 8X Washer, Flat, Steel, Item 4.

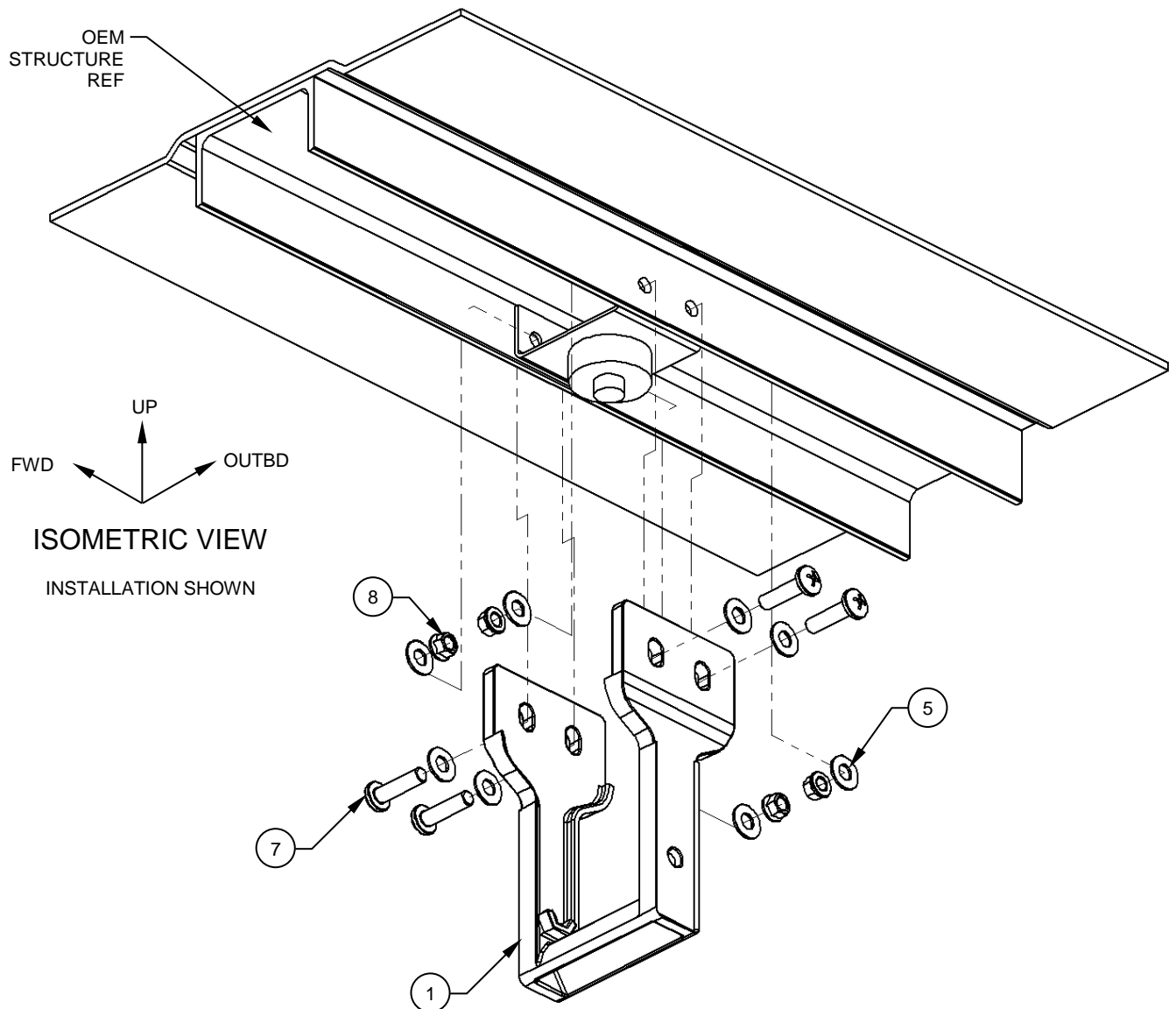


Figure 3

6. If the aircraft is equipped with the OEM headliner, reinstall that now. Some minor trimming may be required to reattach the headliner to its original location.
7. Install 2X Single Lug Hanger #10, Assy's, Item 2, using, 1X Female Threaded Hex Standoff, Item 3, 2X Screw Machine, Detail, Item 6, and 2X Washer, Flat, Steel, Item 4. See Figure 4.

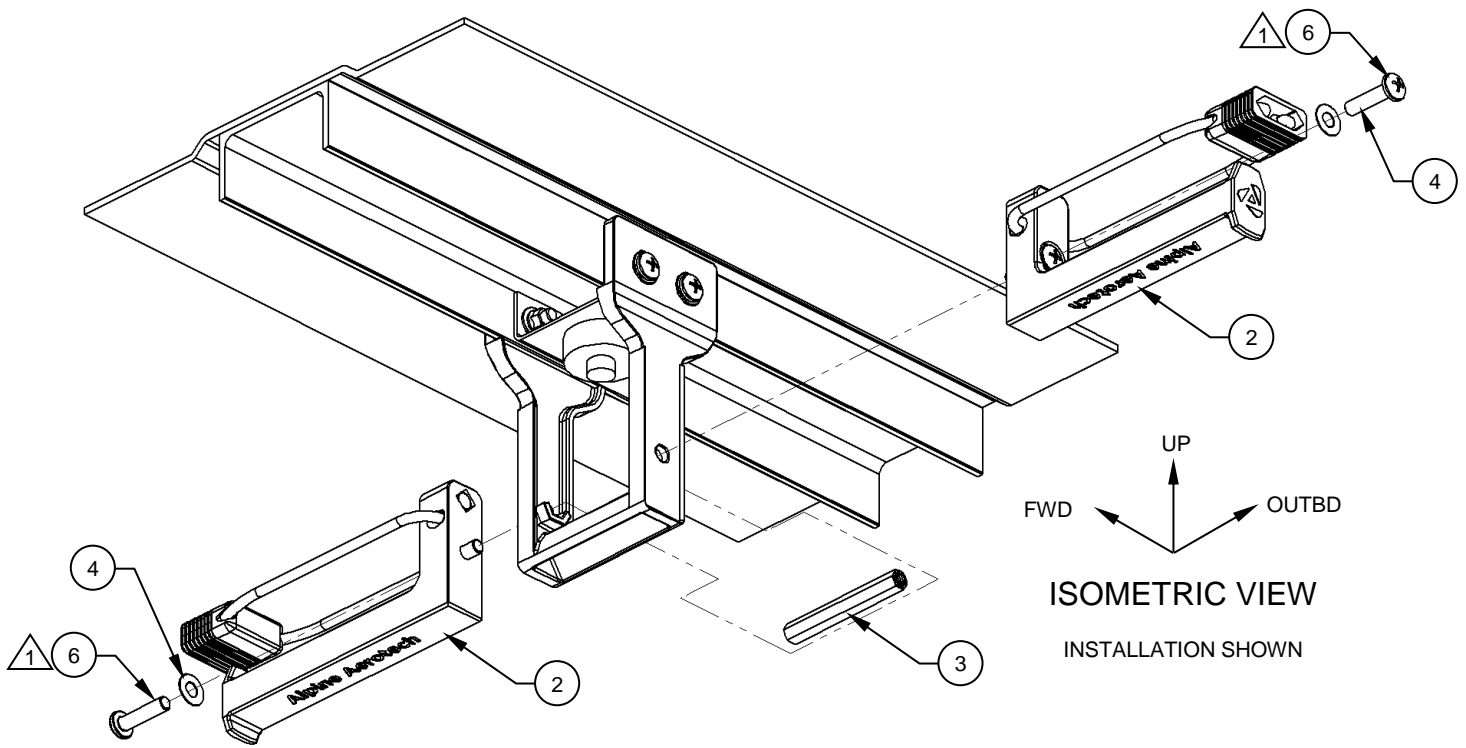


Figure 4

8. Perform a General Inspection of all items to ensure proper installation.
9. Update the aircraft logbook for the installation of the 505 Crew Headset Hanger.

Removal Instructions

1. Remove all components associated with the 505 Crew Headset Hanger.
2. Refasten the light bracket to the center extrusion using appropriate fasteners.
3. Perform a General Inspection of all items to ensure proper removal.
4. Update the aircraft logbook for the removal of the 505 Crew Headset Hanger.