

FLOOR PROTECTION, KIT, FWD INSTRUCTIONS FOR CONTINUING AIRWORTHINESS

MODELS: BELL 429

Read all of the Instructions for Continuing Airworthiness thoroughly prior to performing any activities relating to this product

Table of Contents

<u>Section</u>	<u>Description</u>	<u>Page</u>
1	Introduction	2
	Applicability	2
2	Description	3
3	Operation	3
4	Maintenance Instructions	4
5	Troubleshooting	6
6	Removal/Replacement	7
	6.1 Removal Instructions	7
	6.2 Replacement Instructions	11
7	General	11
8	Airworthiness Limitations	11
9	Illustrated Parts Breakdown	12

Notes

1. If changes to this document are required, Alpine Aerotech LP shall revise all pages and reissue the entire document.
2. Alpine Aerotech LP shall make any subsequent revisions of this document available free of charge upon request. Alpine Aerotech LP also recommends that the end user of this product periodically verify the revision level of this document.

SECTION 1: INTRODUCTION

This document comprises Instructions for Continuing Airworthiness that apply to the Floor Protection, Kit, FWD, installed on Bell 429 rotorcraft. The information and data contained in this document are supplemental to the information contained in the existing ICA for the Bell 429

Applicability

The Floor Protection, Kit, FWD (AAL-412-020-001) is applicable to all serial numbers of Bell 429 rotorcraft with OEM interiors.

SECTION 2: DESCRIPTION

The following information provides a functional description of the Floor Protection, Kit, FWD as defined in Alpine Aerotech LP datasets AAL-412-020-001.

- The Floor Protection, Kit includes rigid pieces of material that are installed atop the existing floor to protect it from dents and punctures associated with typical aircraft usage. This occurs most frequently during loading and unloading operations, but can also occur during small inflight shifts of said cargo.
- The Floor Protection, Kit when installed, adds additional protection to the floor panels, as it is manufactured from a material specifically designed to spread and attenuate energy.

SECTION 3: OPERATION

1. With the Floor Protection, Kit, FWD installed no special considerations required for operation.

SECTION 4: MAINTENANCE INSTRUCTIONS

General Notes

1. The following information defines the instructions for continuing airworthiness, repair allowances and airworthiness limitations for the item(s) referenced within this document.
2. Refer to the current revisions of the Bell 429 Maintenance Manual for Instructions for Maintenance/Inspection with respect to the item(s) referenced within this document.
3. Refer to the Section 6: Removal/Replacement Instructions and Section 9: Illustrated Parts Breakdown for the replacement and/or installation of the item(s) referenced within this section.
4. Scheduled inspection for the item(s) referenced within this document shall be accomplished in accordance with (IAW) the Inspection Procedures specified.
5. Repair allowances for the item(s) referenced within this document shall be accomplished IAW the Repair Procedures specified.
6. Limitations for the item(s) referenced within this document are IAW the Airworthiness Limitations specified.

Inspection Procedures

Supplement to applicable Maintenance Manual, Chapter 5, Inspection and Component Overhaul Schedule

Notes

1. Refer to the applicable Maintenance Manual, Chapter 4-1 and 4-2, for general information on inspections, inspection definitions, inspection intervals, inspection methods and inspection schedules.
2. General Inspections, as indicated within this document, are defined as visual, non-thorough checks.
3. Detailed Inspections, as indicated within this document, are defined as visual and thorough, searching checks.
4. Perform 600 Hour/12 Month Inspections every 600 hours or every 12 months, whichever occurs first, prior to flight operation. If damage is detected, refer to the Repair Procedures section within this document.

Scheduled Inspections

1. 600 Hour/12 Month Inspections

Data Reference: Section 3: Installation and Removal Instructions
Section 4: Illustrated Parts Breakdown
 - I. Perform a Detailed Inspection on all items to ensure proper security.
 - II. Perform a Detailed Inspection on all items/materials to ensure proper integrity.
 - III. Perform a Detailed Inspection on the Floor Protection, Kit to ensure that it is not delaminating.
 - IV. Perform a Detailed Inspection on all surfaces & locations with Velcro applied to ensure no damage has occurred to the aircraft floor.

SECTION 5: TROUBLESHOOTING

1. Repairs to all other item(s) referenced within this document are **not** permitted. Contact Alpine Aerotech LP for further information if repairs are required to all other item(s) referenced within this document.

SECTION 6: REMOVAL/REPLACEMENT

General Notes

1. All Installation Instructions shall be accomplished IAW standard aircraft practices. Refer to the current revision of the FAA publications AC 43.13-1B and AC 43.13-2B for details on standard aircraft practices.
 2. All Dimensions are in imperial measures (inches/pounds).
 3. Refer to Section 4: Maintenance Instructions for instructions on maintenance for the item(s) referenced within this section.
 4. Refer to the Section 9: Illustrated Parts Breakdown for the part numbers of the item(s) referenced within this section.
- ① Remove and retain for future use.
- ② Reinstall existing OEM fastener.

6.1 REMOVAL INSTRUCTIONS

Floor Protection, Kit, FWD

1. Gain access to the aircraft and make ready for maintenance. Temporarily remove all passenger seats. Reference Figure 1.

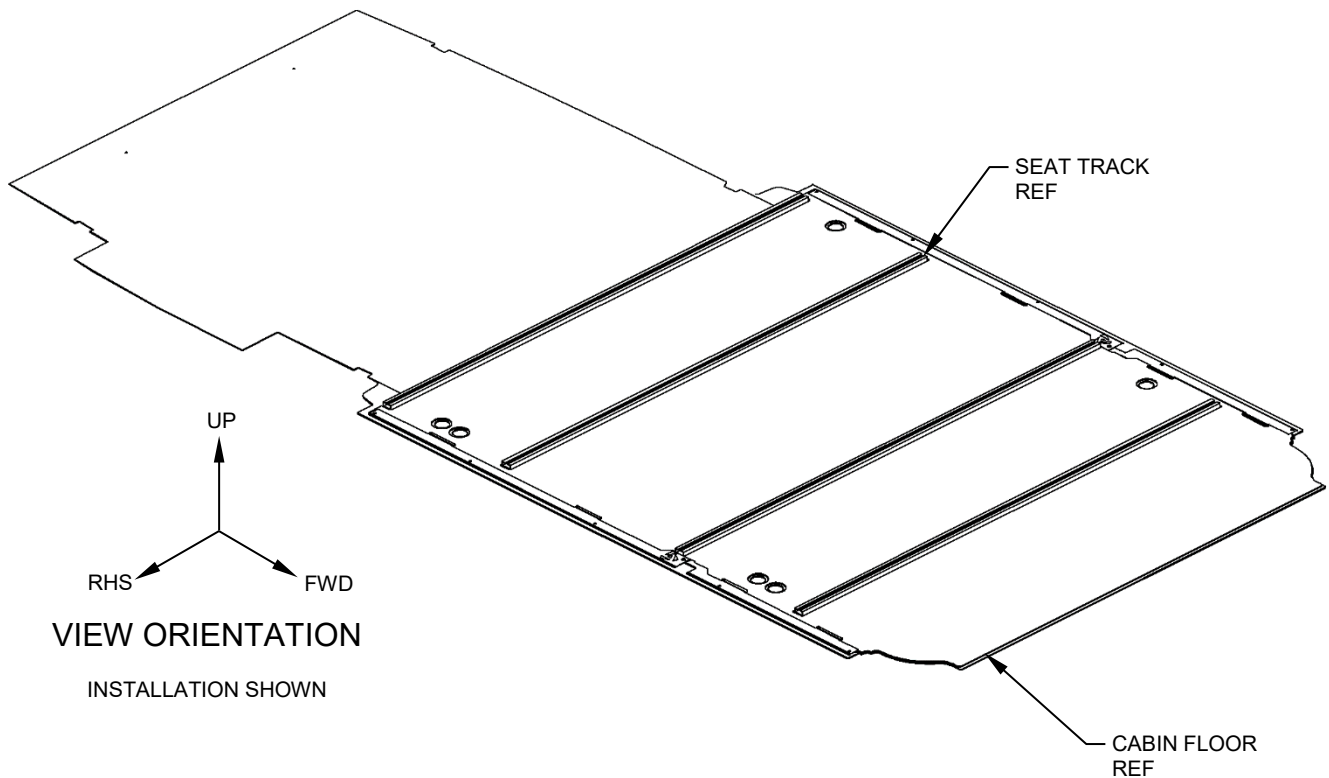
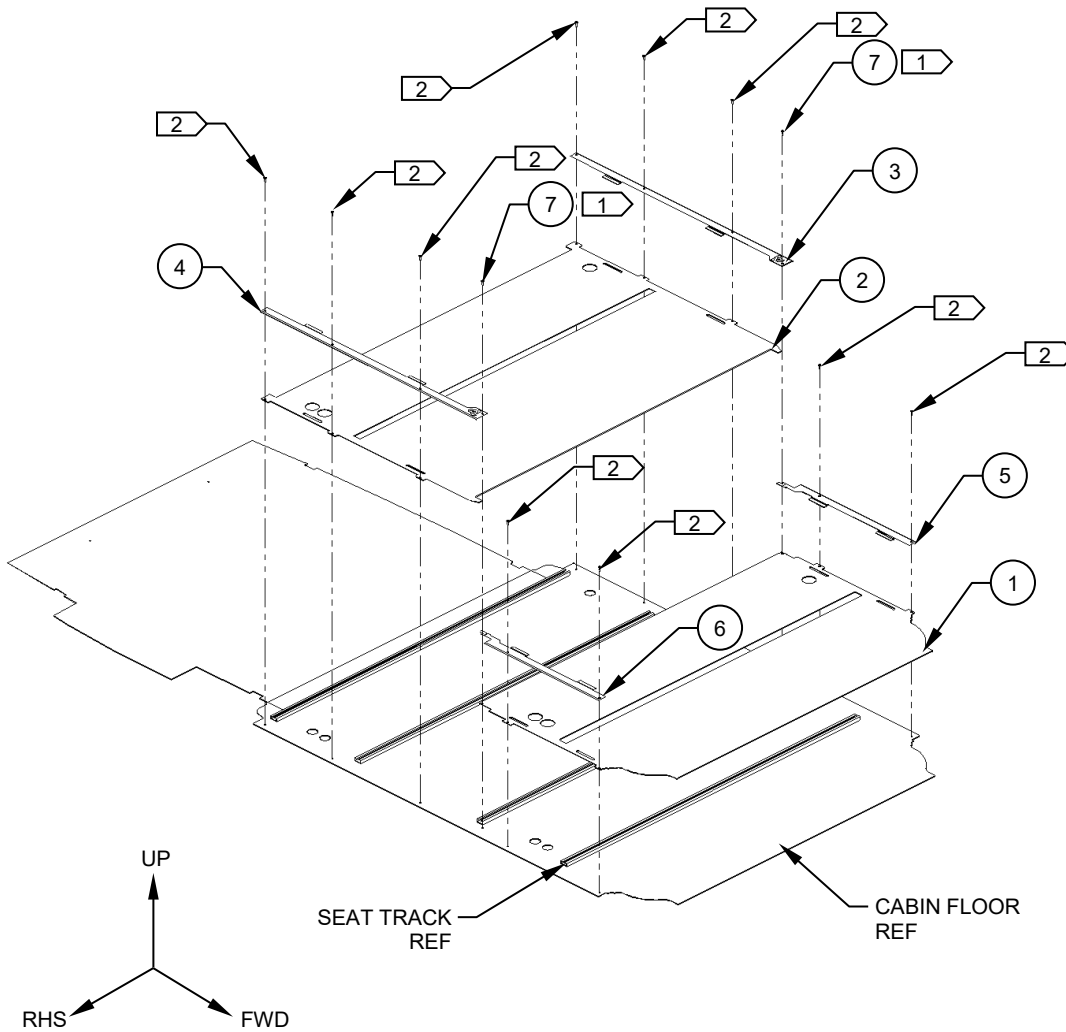


Figure 1
Some Items
Removed for
Clarity

Removal Instructions (cont.)

Floor Protection, Kit, FWD

2. Remove all of the fasteners along the LHS and RHS door sills. Retain all fasteners. Reference Figures 1 & 2.
3. Remove all door sills, (Items 3, 4, 5 & 6). Reference Figure 2.



VIEW ORIENTATION
INSTALLATION SHOWN

Figure 2
Some Items
Removed for
Clarity

Removal Instructions (cont.)

4. Remove both Panel, Assy's, (Items 1 & 2). Reference Figure 2.
5. Re-install all OEM fastener into their respective locations.
6. Update the aircraft logbook for the removal of the affected components of the Floor Protection, Kit, FWD.

6.2 REPLACEMENT INSTRUCTIONS

1. As there are no special considerations, the replacement of the Floor Protection, Kit, FWD can be considered the opposite of the removal.

SECTION 7 GENERAL

There are no general considerations for this kit.

SECTION 8 AIRWORTHINESS LIMITATIONS

The Airworthiness Limitations section is approved by the Minister and specifies maintenance required by any applicable airworthiness or operating rule unless an alternative program has been approved by the Minister.

The Airworthiness Limitations section is FAA approved and specifies maintenance required under Sections 43.16 and 91.403 of the Federal Aviation Regulations unless an alternative program has been FAA approved.

Supplement to applicable Maintenance Manual, Chapter 4, Airworthiness Limitations Schedule

Notes

1. Refer to the Maintenance Planning Information, Chapter 4, for general information on airworthiness limitations and airworthiness limitation schedules.
2. Item(s) **not** listed in the Scheduled Airworthiness Limitations section within this document have an unlimited airworthiness life.

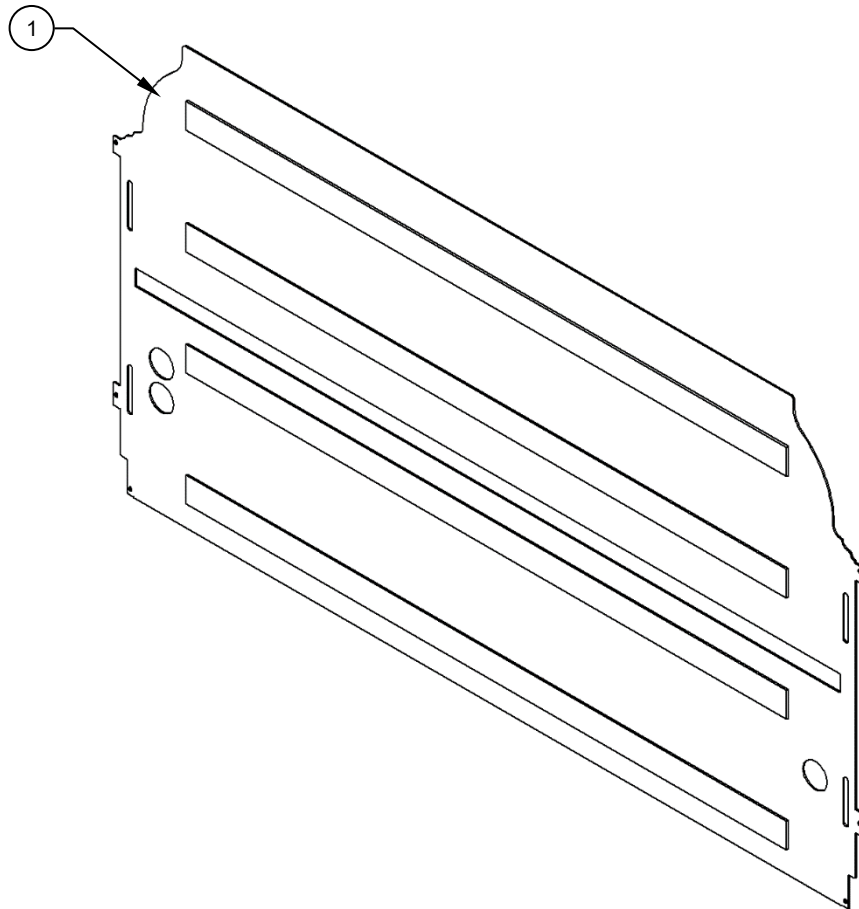
Scheduled Airworthiness Limitations

1. There are no airworthiness limitations associated with the item(s) referenced within this document.

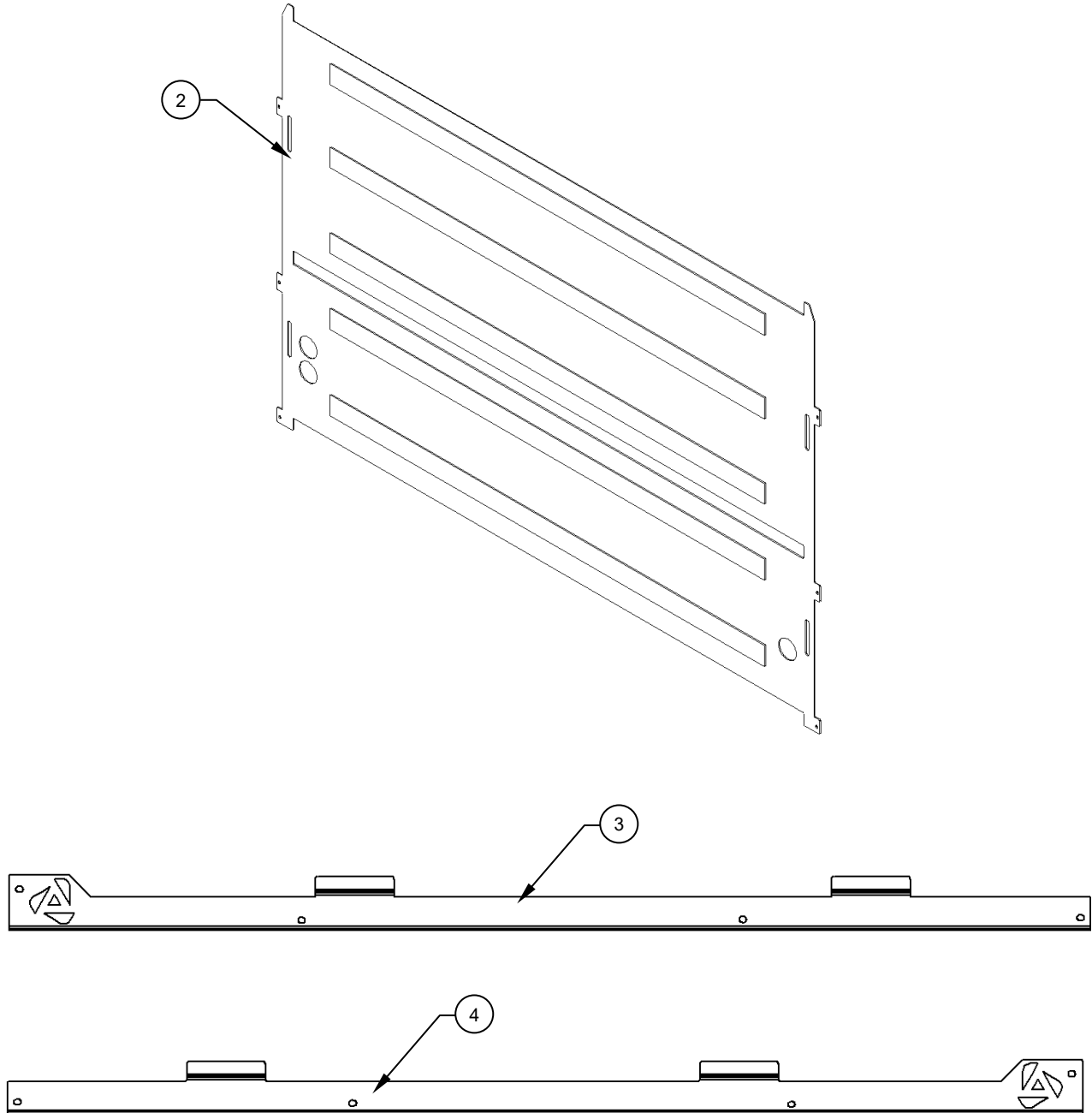
SECTION 9: ILLUSTRATED PARTS BREAKDOWN

General Notes

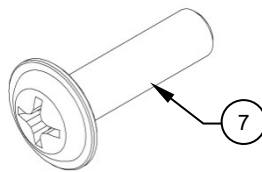
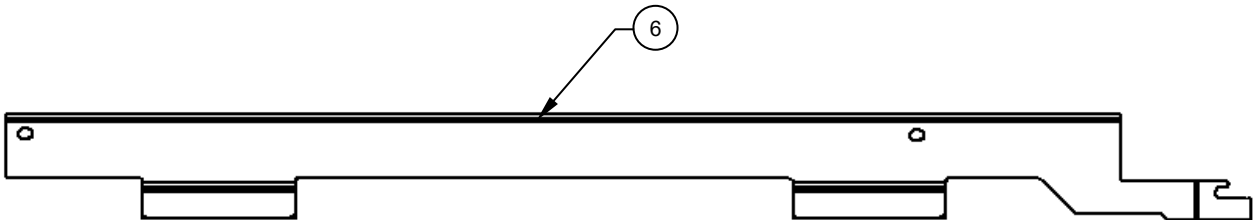
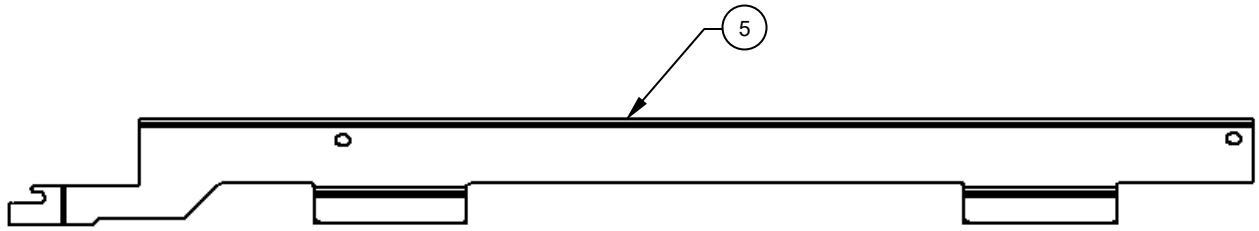
The Safety-Walk General Purpose Grip Tape, (Item 8), not shown. Is supplied as one length. Cut individual pieces to length as required.



Illustrated Parts Breakdown (cont.)



Illustrated Parts Breakdown (cont.)



Illustrated Parts Breakdown (cont.)

ITEM	QTY	NUMBER	DESCRIPTION	MATERIAL	REF STOCK	SPEC	FINISH	MANUFACTURER	NCAGEC
-	-	AAL-412-020-001	FLOOR PROTECTION, KIT, FWD	C/O SHADED ITEMS				ALPINE AEROTECH LP	L0171
1	1	AAL-412-021-001	PANEL, ASSY	NA	NA	NA	NA	ALPINE AEROTECH LP	L0171
2	1	AAL-412-021-002	PANEL, ASSY	NA	NA	NA	NA	ALPINE AEROTECH LP	L0171
3	1	AAL-412-021-003	SILL, ASSY, LHS	NA	NA	NA	NA	ALPINE AEROTECH LP	L0171
4	1	AAL-412-021-004	SILL, ASSY, RHS	NA	NA	NA	NA	ALPINE AEROTECH LP	L0171
5	1	AAL-412-021-005	SILL, ASSY, LHS	NA	NA	NA	NA	ALPINE AEROTECH LP	L0171
6	1	AAL-412-021-006	SILL, ASSY, RHS	NA	NA	NA	NA	ALPINE AEROTECH LP	L0171
7	2	AN525-832R10	SCREW, WASHER HEAD	SEE SPEC	SEE SPEC	NASM525	SEE SPEC	SOURCE AS REQUIRED	NA
8*	1	620 CLEAR 4" - 70070975621	SAFETY-WALK GENERAL PURPOSE GRIP TAPE	POLY-URETHANE	112.00"	NA	NFSI SCOF < 0.60	3M	NA

*Not Shown