

FLOOR PROTECTION, KIT, AFT INSTALLATION INSTRUCTIONS

MODELS: BELL 429

Table of Contents

<u>Section</u>	<u>Description</u>	<u>Page</u>
1	Description	2
2	Installation & Removal Instructions	3
	Applicability	3
	Installation Instructions Floor Protection, Kit, AFT	4
	Removal Instructions Floor Protection, Kit, AFT	10
	Installation Instructions Floor Protection, Kit, AFT w/ Aux Tank	11
	Removal Instructions Floor Protection, Kit, AFT w/ Aux Tank	17

Notes

1. If changes to this document are required, Alpine Aerotech LP shall revise all pages and reissue the entire document.
2. Alpine Aerotech LP shall make any subsequent revisions of this document available free of charge upon request. Alpine Aerotech LP also recommends that the end user of this product periodically verify the revision level of this document.

SECTION 1: DESCRIPTION

The following information provides installation instructions for the Floor Protection, Kit, Aft as defined in Alpine Aerotech LP dataset AAL-412-020-002.

- The Floor Protection, Kit includes rigid pieces of material that are installed atop the existing floor to protect it from dents and punctures associated with typical aircraft usage. This occurs most frequently during loading and unloading operations, but can also occur during small inflight shifts of said cargo.
- The Floor Protection, Kit when installed, adds additional protection to the floor panels, as it is manufactured from a material specifically designed to spread and attenuate energy.

SECTION 2 INSTALLATION & REMOVAL INSTRUCTIONS

Applicability

The Floor Protection, Kit, AFT, (AAL-412-020-002) is applicable to Bell 429 all serial numbers equipped with an OEM interior, and **without** the STA 249.429 Mid Canted BLKHD.

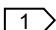
Weight & Balance

<u>Part Number</u>	<u>Description</u>	<u>Weight</u>	<u>Long. Arm</u>	<u>Lat. Arm</u>
AAL-412-020-002	Floor Protection, Kit, AFT	9.27*	262.45	1.01 RBL
		4.20 (Kg)	6.66(m)	.03(m) RBL


* Represents total weight of applicable kit only. Recalculate C of G as appropriate.


General Notes

- All Installation Instructions shall be accomplished IAW standard aircraft practices. Refer to the current revision of the FAA publications AC 43.13-1B and AC 43.13-2B for details on standard aircraft practices.
- All Dimensions are in imperial measures (inches/pounds).
- Refer to Section 4: Maintenance Manual Instruction for instructions on maintenance for the item(s) referenced within this section.
- Refer to the Section 9: Illustrated Parts Breakdown for the part numbers of the item(s) referenced within this section.

 Remove and retain for future use.

 Reinstall existing OEM fastener.

 Triangular tie down strap location

 OEM auxiliary tank and attachment assemblies; rear attachment assemblies are integral to fuel tank. Fuel tank not shown for clarity

Installation Instructions

Floor Protection, Kit, AFT

1. Gain access to the AFT section of the cabin floor. Reference Figure 1.

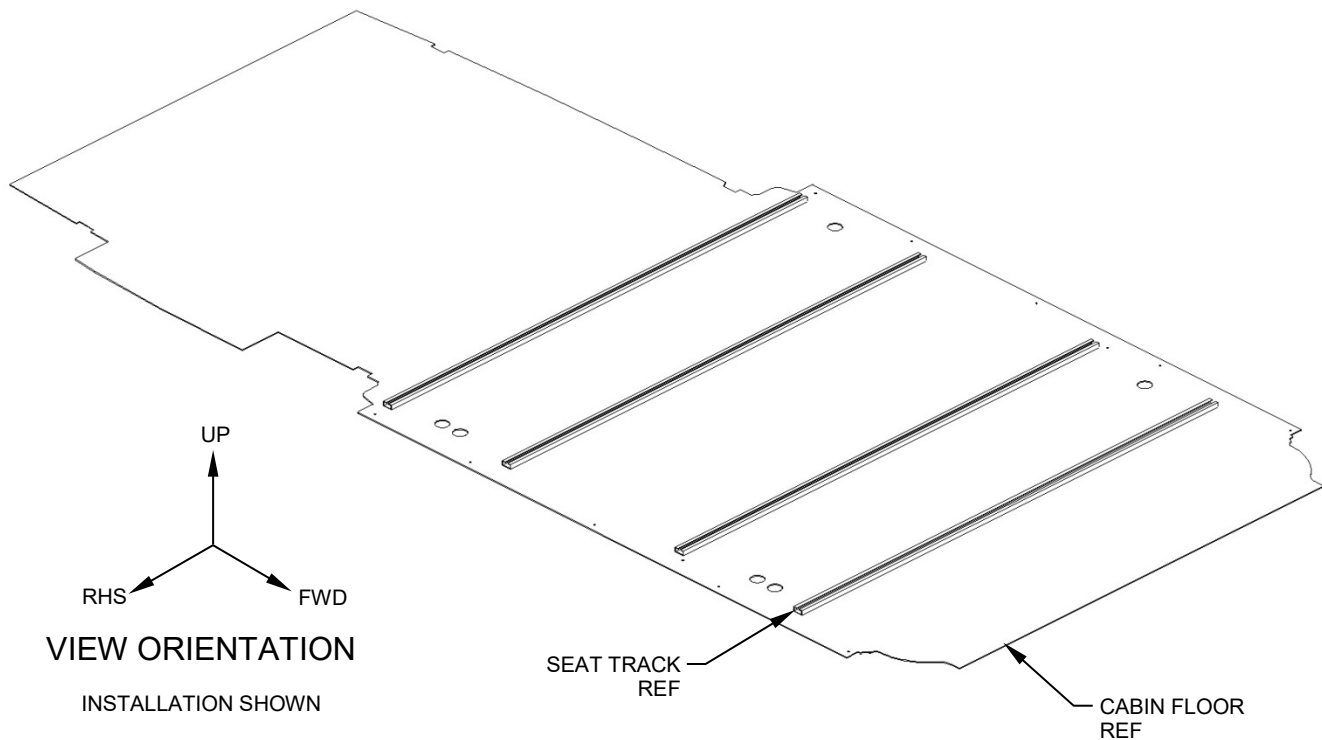


Figure 1
Some Items
Removed for
Clarity

Installation Instructions (cont.)

Floor Protection, Kit, AFT

2. Remove and retain the two most OUTBD fasteners common to the access panels near the AFT end of the cargo area. Remove and retain fasteners along cargo door sill. Reference Figure 2.

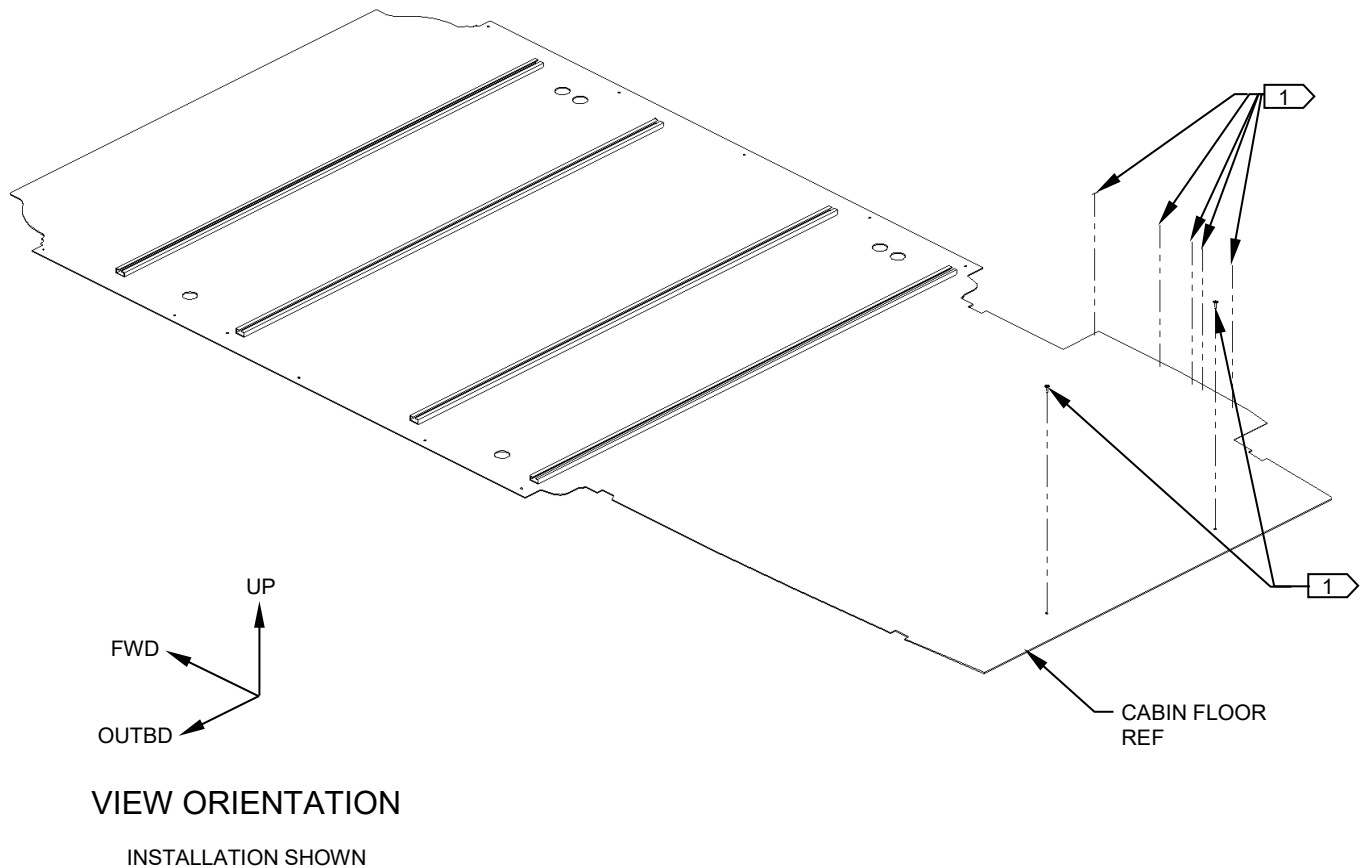


Figure 2
Some aircraft structure
Removed for clarity

Installation Instructions (cont.)

Floor Protection, Kit, AFT

3. Position the LHS Panel Assy (Item 1) on the floor in its approximate position with the Velcro strips facing down as shown. Reference Figure 3.

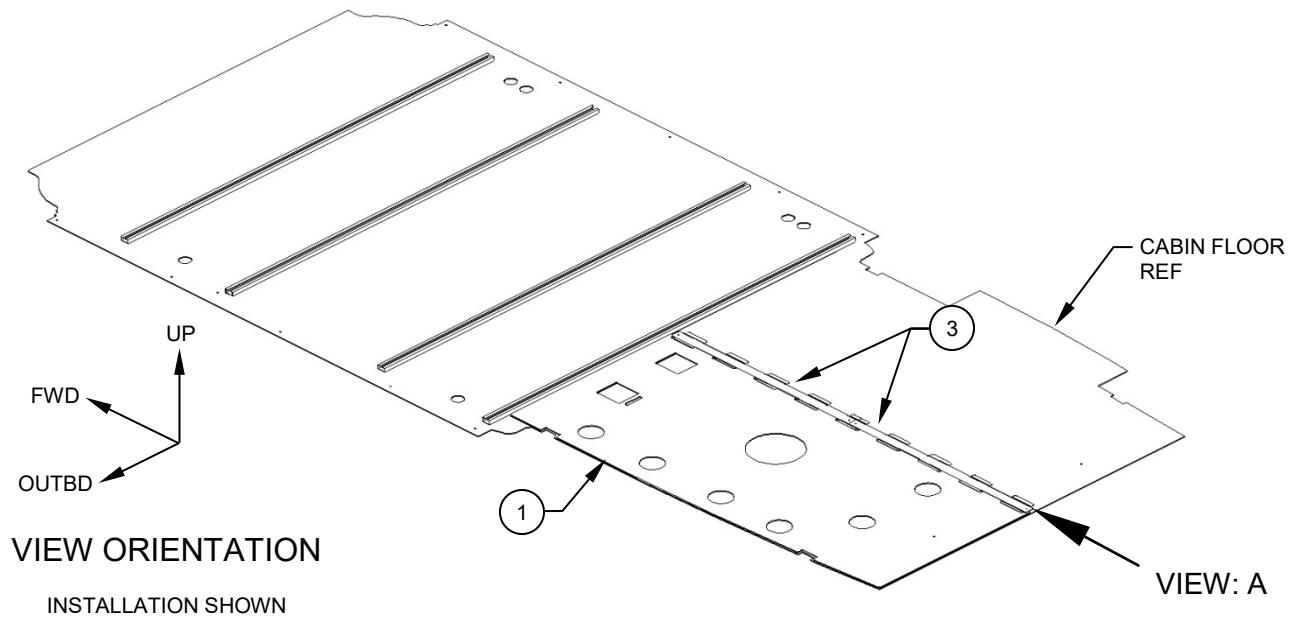


Figure 3
Some aircraft structure
Removed for clarity

4. Install the Retainer Strip, Assys (Item 3) by inserting the tabs into the provided slots in the panel as shown. Reference Figures 3 & 4.

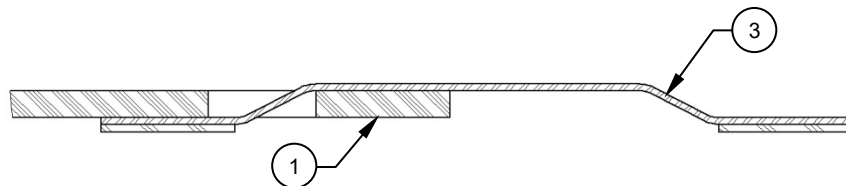


Figure 4
VIEW: A
Some aircraft structure
Removed for clarity

Installation Instructions (cont.)

Floor Protection, Kit, AFT

5. Install the RHS Panel, Assy (Item 2) by tipping the panel on an angle and inserting the Retainer Strip, Assy (Item 3) tabs into the provided slots in the panel as shown. Install cargo door sill (Item 4) using OEM hardware. Reference Figures 3, 4 & 5.
6. Install the provided fasteners (Item 10) as shown. Reference Figure 5.

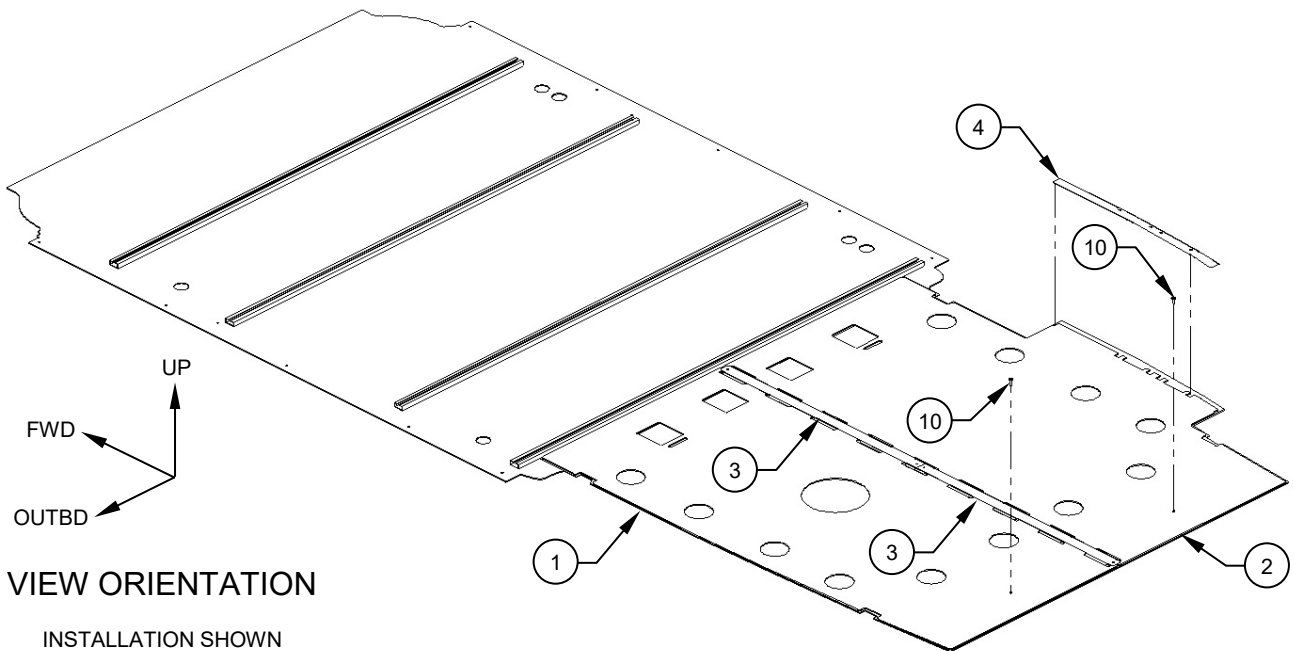
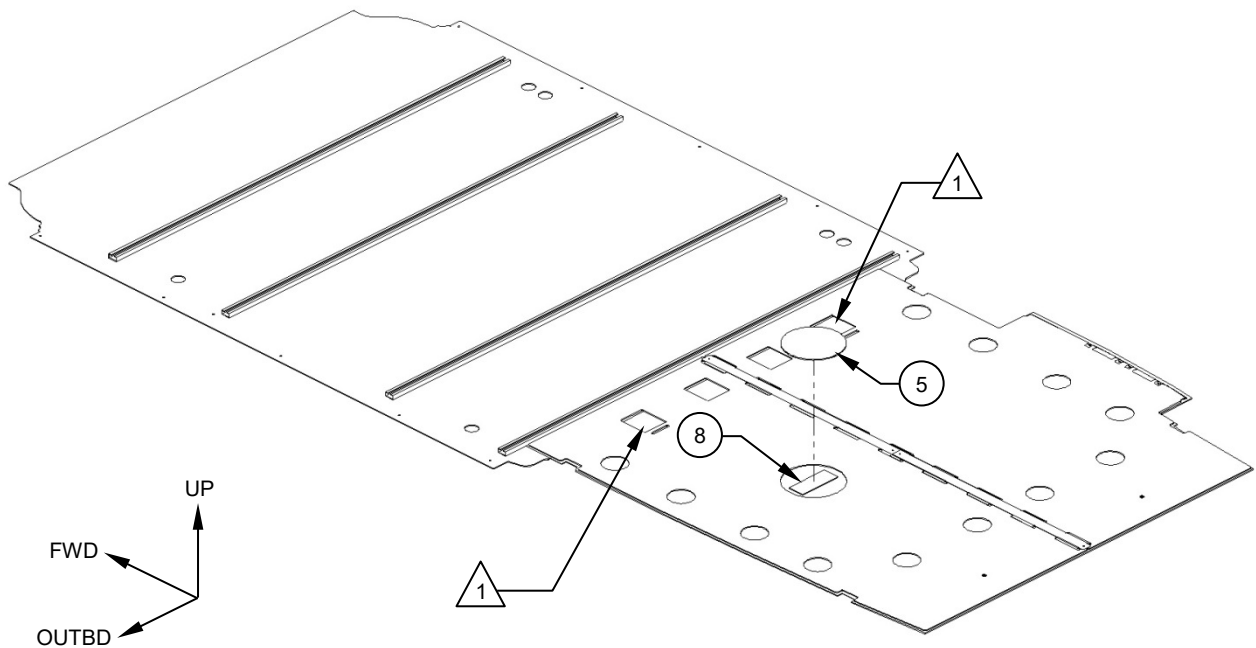


Figure 5
Some aircraft structure
Removed for clarity

Installation Instructions (cont.)

Floor Protection, Kit, AFT

7. Install the Velcro, Detail (Item 8) on the fuel transfer door by removing the backing and placing the Velcro on the door in the proper orientation. Apply adequate pressure to ensure proper adhesion to the fuel transfer door. Reference Figure 6.
8. Install the Blanking Plate, Assy (Item 5) with the provided Velcro, Detail (Item 8) in the proper orientation. Reference Figure 6.



VIEW ORIENTATION

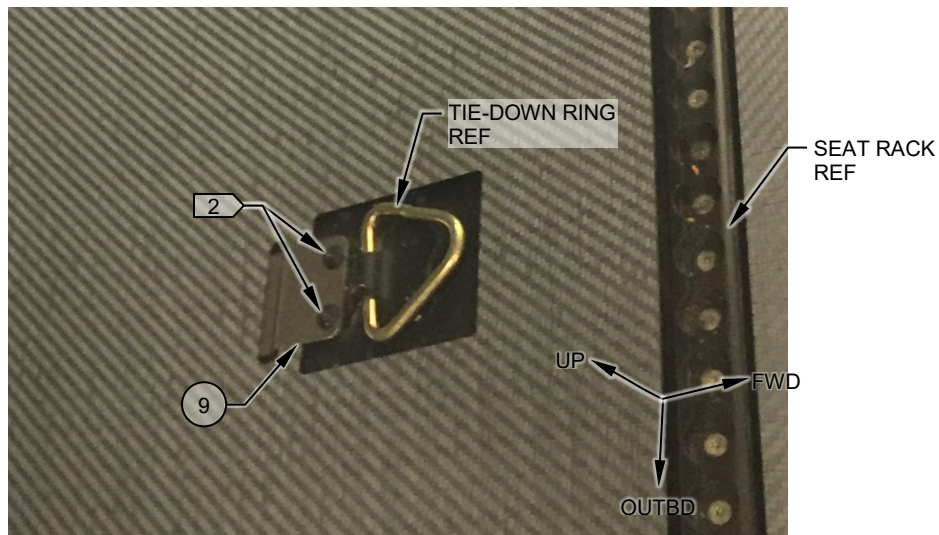
INSTALLATION SHOWN

Figure 6
Some aircraft structure
Removed for clarity

Installation Instructions (cont.)

Floor Protection, Kit, AFT

9. Remove the AFT two screws from the two FWD most triangular tie-down rings in the cargo area and install the Retainer, Assemblies (Item 9) re-using the OEM fasteners. Reference Figure 6 and 7.



VIEW ORIENTATION

INSTALLATION SHOWN

Figure 7
Installation Shown

10. Installation complete
11. Perform a General Inspection of all items to ensure proper installation.
12. Update the aircraft logbook for the installation of Floor Protection, Kit AFT.

Removal Instructions

1. Remove all components associated with the Floor Protection, Kit, AFT.
2. Replace Screw, Washer Head (Item 10), with OEM fasteners.
3. Peel and remove the Velcro®, Detail (Item 8) from the fuel filler door, and clean off any residual adhesive. It is permitted to leave the Velcro®, Detail (Item 8) in place if the operator chooses.
4. Perform a General Inspection of all items to ensure proper removal.
5. Update the aircraft logbook for the removal of the Floor Protection, Kit, AFT.

Installation Instructions

Floor Protection, Kit, AFT with OEM auxiliary fuel tank kit (429-706-500-101/-109)

1. Gain access to the AFT section of the cabin floor. Remove OEM auxiliary tank and attachment assemblies; rear attachment assemblies are integral to fuel tank. Fuel tank not shown for clarity. Reference Figure 8.

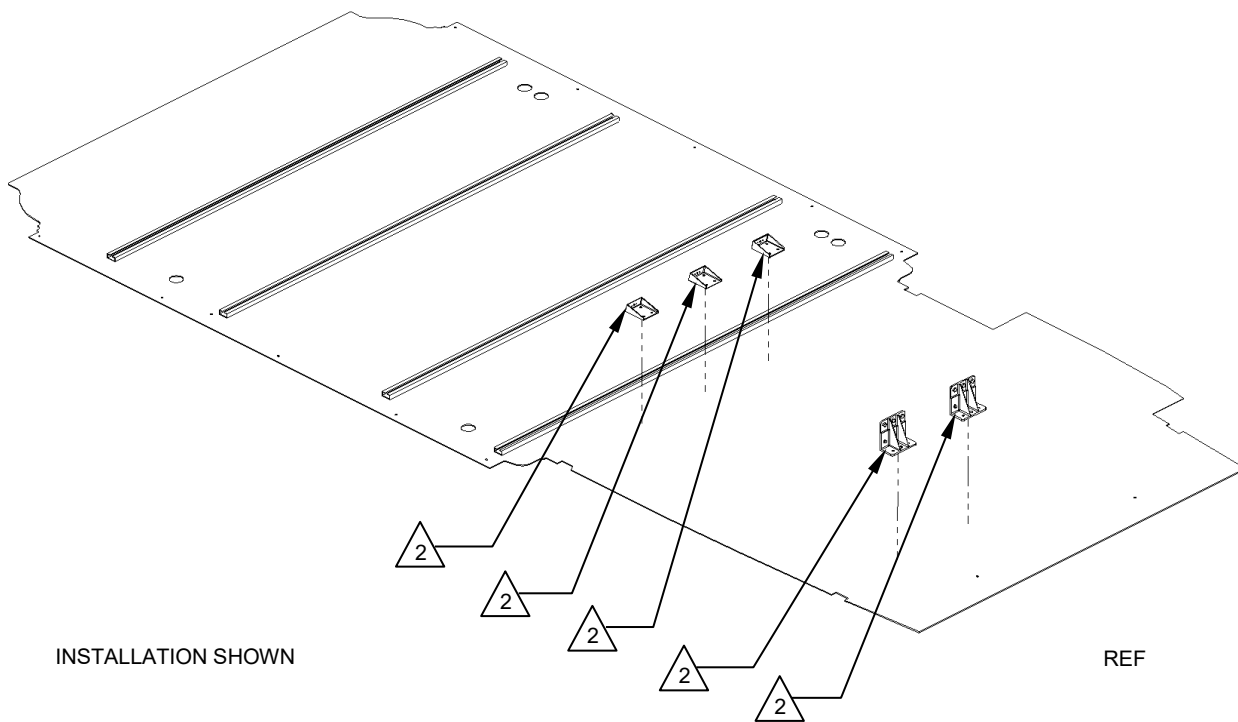


Figure 8
Some Items
Removed for
Clarity

Installation Instructions (cont.)

Floor Protection, Kit, AFT with OEM auxiliary fuel tank kit (429-706-500-101/-109)

2. Remove and retain the two most OUTBD fasteners common to the access panels near the AFT end of the cargo area. Remove and retain fasteners along cargo door sill. Reference Figure 9.

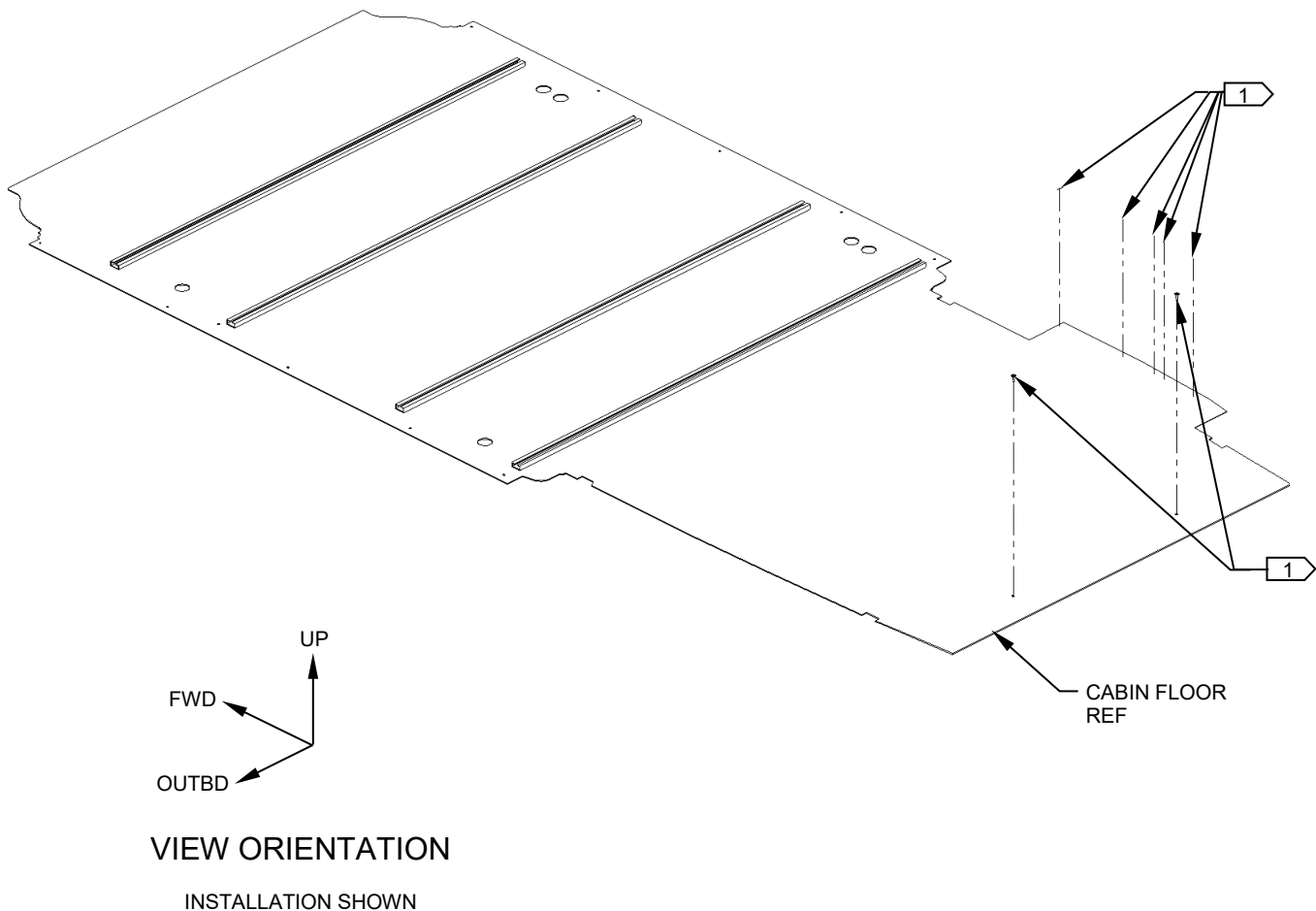


Figure 9
Some aircraft structure
Removed for clarity

Installation Instructions (cont.)

Floor Protection, Kit, AFT with OEM auxiliary fuel tank kit (429-706-500-101/-109)

3. Position the LHS Panel Assy (Item 1) on the floor in its approximate position with the Velcro strips facing down as shown. Reference Figure 10.

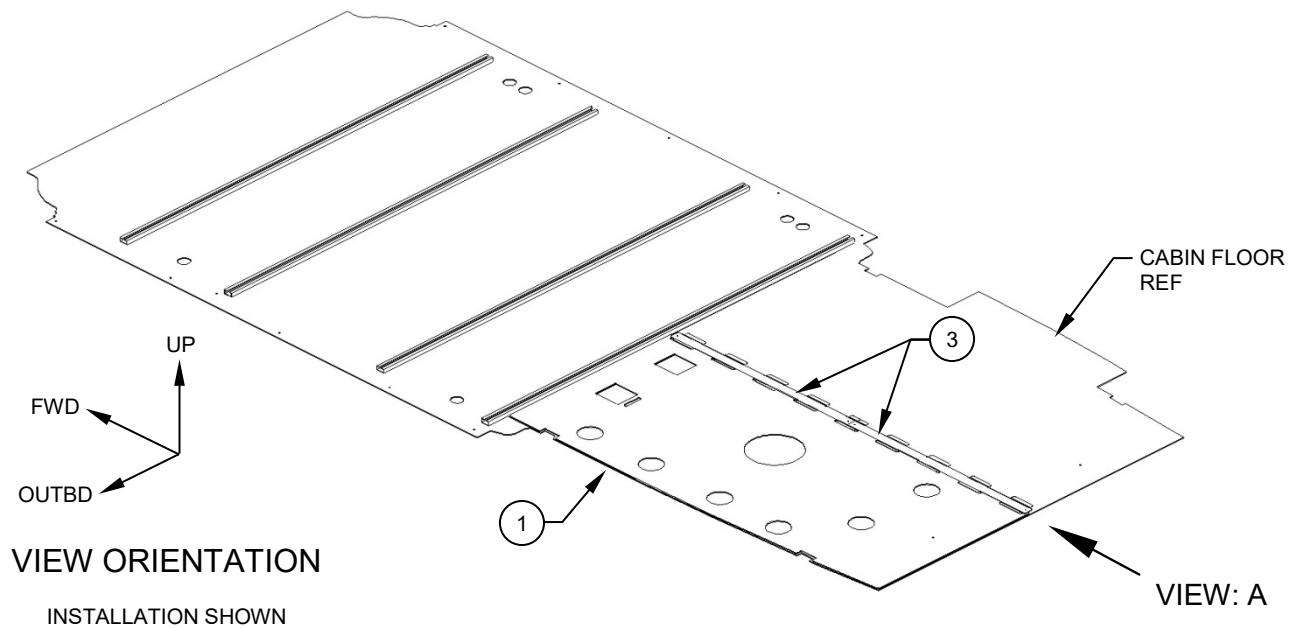


Figure 10
Some aircraft structure
Removed for clarity

4. Install the Retainer Strip, Assys (Item 3) by inserting the tabs into the provided slots in the panel as shown. Reference Figures 10 & 11.

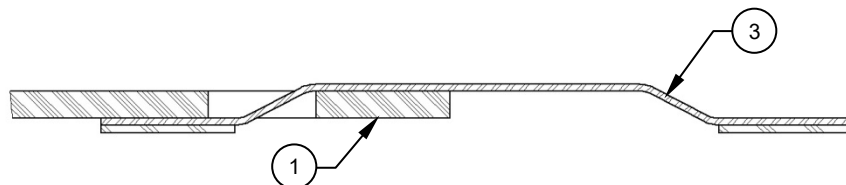


Figure 11
VIEW: A
Some aircraft structure
Removed for clarity

Installation Instructions (cont.)

Floor Protection, Kit, AFT with OEM auxiliary fuel tank kit (429-706-500-101/-109)

5. Install the RHS Panel, Assy (Item 2) by tipping the panel on an angle and inserting the Retainer Strip, Assy (Item 3) tabs into the provided slots in the panel as shown. Install cargo door sill (Item 4) using OEM hardware. Reference Figures 10, 11 & 12.
6. Install the provided fasteners (Item 10) as shown. Reference Figures 9 & 12

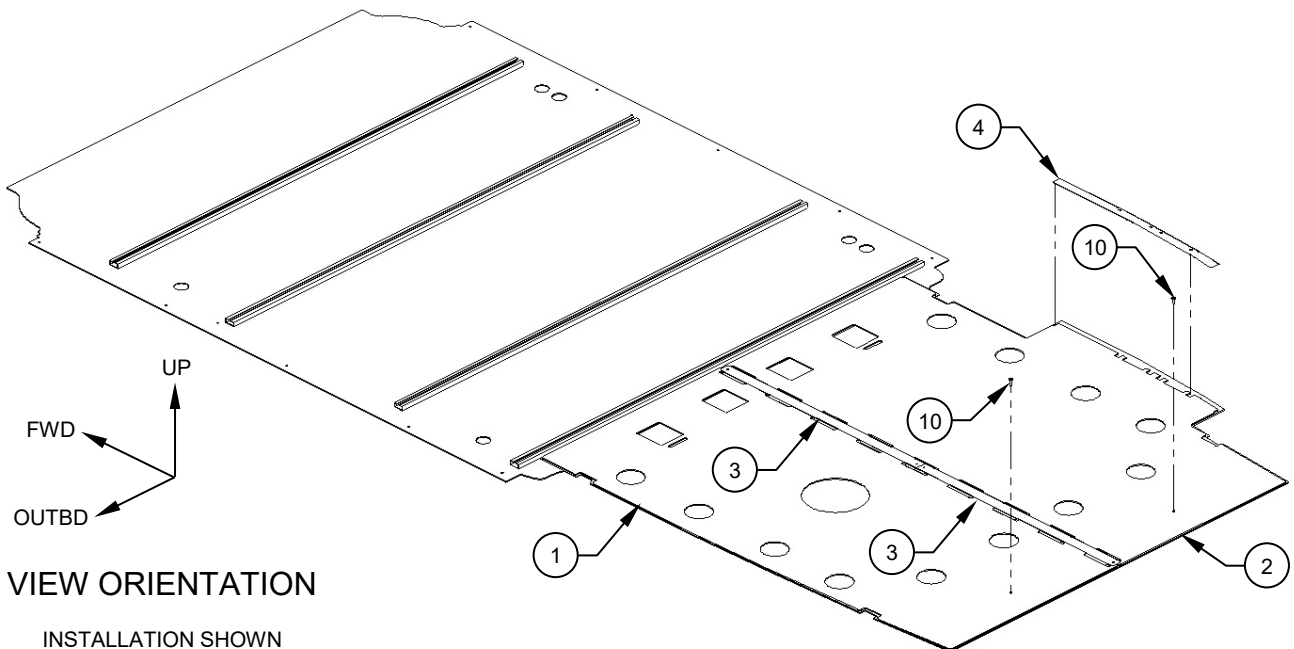


Figure 12
Some aircraft structure
Removed for clarity

Installation Instructions (cont.)

Floor Protection, Kit, AFT with OEM auxiliary fuel tank kit (429-706-500-101/-109)

7. Install the three Spacer, Assys (Item 6) in the previous tie-down locations prior to installing the Attach, Assys (429-066-512-101) per BHT-429-II-5. Reuse the original fasteners.

NOTE: Spacer, Assys (Item 6) must be oriented with the small notch facing FWD and the anti-chafe tape down.

8. Place the Spacer Assys (Item 7) in position under the fuel tank with the flat edge facing AFT and install the provided fasteners (Item 11) in the slotted holes. Install the fasteners provided with kit (429-706-500-101/-109) in the center hole as per BHT-429-II-5.

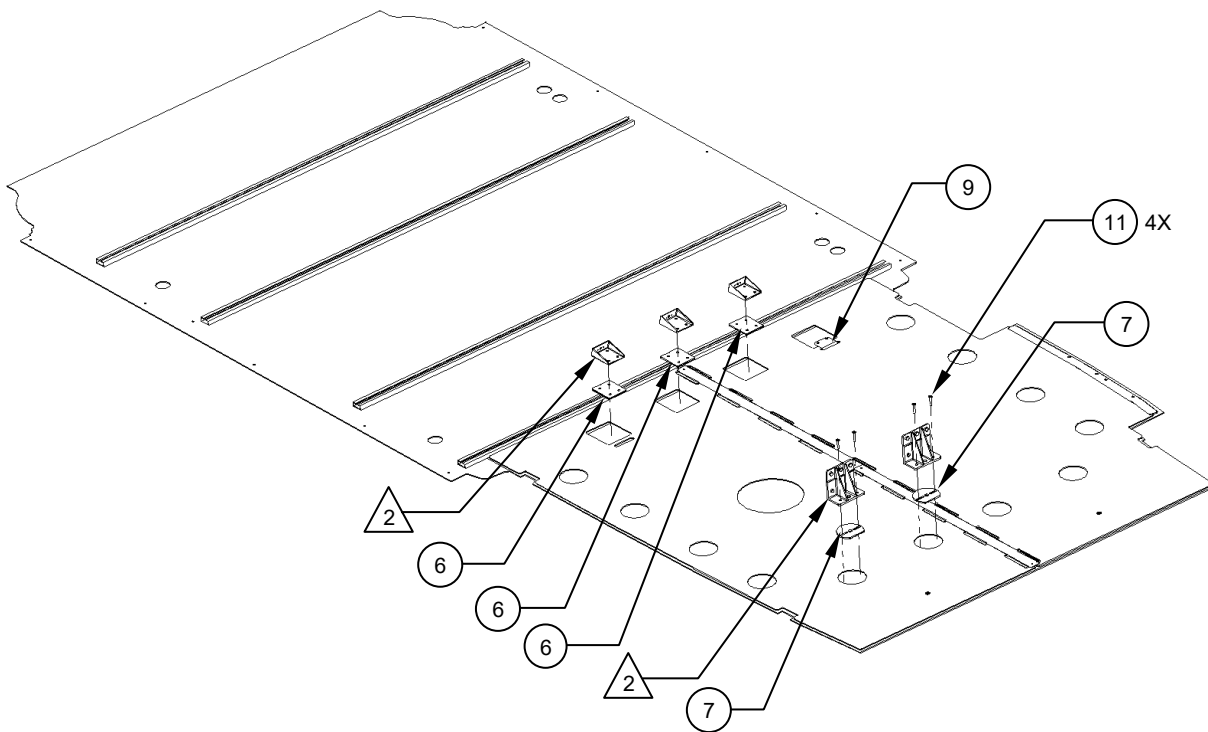
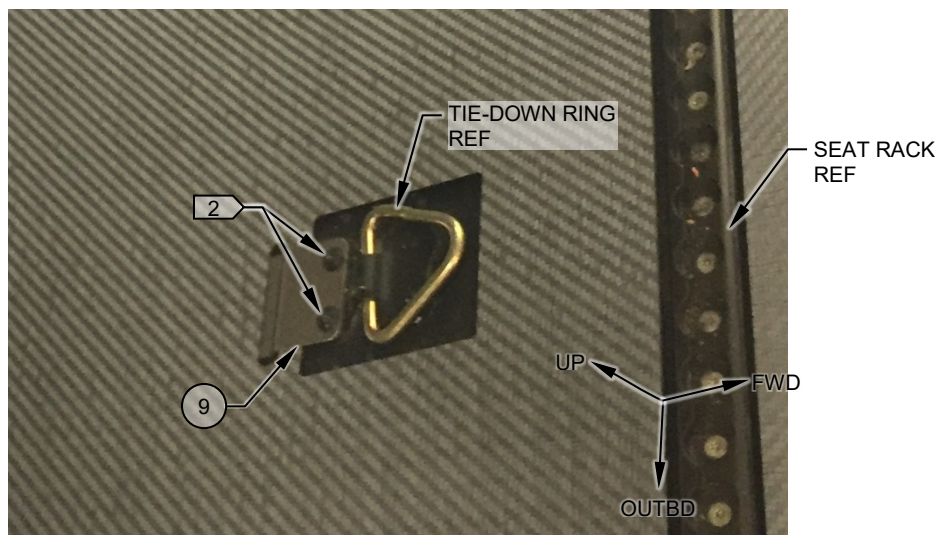


Figure 13
Some aircraft structure
Removed for clarity

Installation Instructions (cont.)

Floor Protection, Kit, AFT with OEM auxiliary fuel tank kit (429-706-500-101/-109)

9. Remove the AFT two screws from the RHS FWD most triangular tie-down ring in the cargo area and install the Retainer, Assemblies (Item 9) re-using the OEM fasteners. Reference Figure 13 and 14.



VIEW ORIENTATION

INSTALLATION SHOWN

Figure 14
Installation Shown

10. Perform the remainder of the installation of the auxiliary fuel tank, kit (429-706-500-101/-109) per the instructions provided in BHT-429-II-5.
11. Installation complete
12. Perform a General Inspection of all items to ensure proper installation.
13. Update the aircraft logbook for the installation of Floor Protection, Kit AFT.

Removal Instructions

6. Remove all components associated with the Floor Protection, Kit, AFT.
7. Replace Screw, Washer Head (Items 10 & 11), with OEM fasteners.
8. Perform a General Inspection of all items to ensure proper removal.
9. Update the aircraft logbook for the removal of the Floor Protection, Kit, AFT.