

FLOOR BOARD, KIT, LHS INSTALLATION INSTRUCTIONS

MODELS: BELL 205, 212, 412, 412CF & 412EP
(Without Airline Seat Provisions)

Read all of the installation instructions thoroughly
prior to the installation of this product



Weight & Balance

<u>Part Number</u>	<u>Description</u>	<u>Weight</u>	<u>Long. Arm</u>	<u>Lat. Arm</u>
AAL-212-020-017	Floor Board, Kit, LHS	5.22*	146.87	30.19 LBL
		2.37 (Kg)	3.73 (m)	0.77 (m) LBL

* Total increase in weight to aircraft.

General Notes

1. All Installation Instructions must be completed in accordance with standard aircraft practices. Refer to the current revision of the FAA manual AC 43.13, Aircraft Inspection, Repair & Alterations, for instructions.
2. All Hardware must be torqued to standard aircraft specifications. Refer to the current revision of the FAA manual AC 43.13, Aircraft Inspection, Repair & Alterations, for instructions.
3. All Dimensions are in imperial measures (inches/pounds).
4. Refer to the Floor Board, Kit, LHS Illustrated Parts Breakdown for the part numbers of the items contained within this document.
5. Refer to the Floor Board, Kit, LHS Maintenance Manual Supplement for the inspection and maintenance of the items contained within this document.

Installation Notes



Additional cutouts may be added as required. If additional cutouts are added, Weight & Balance must be recalculated accordingly.



Installation Instructions

1. Temporarily remove the 2 Man, LHS, outboard facing seat/seat legs and any other fixed or loose items that may obstruct the installation of the Floor Board Assy, Item 1. Reference Figure 1.

NOTE: Removal of the Stanchion Post assy is not required.

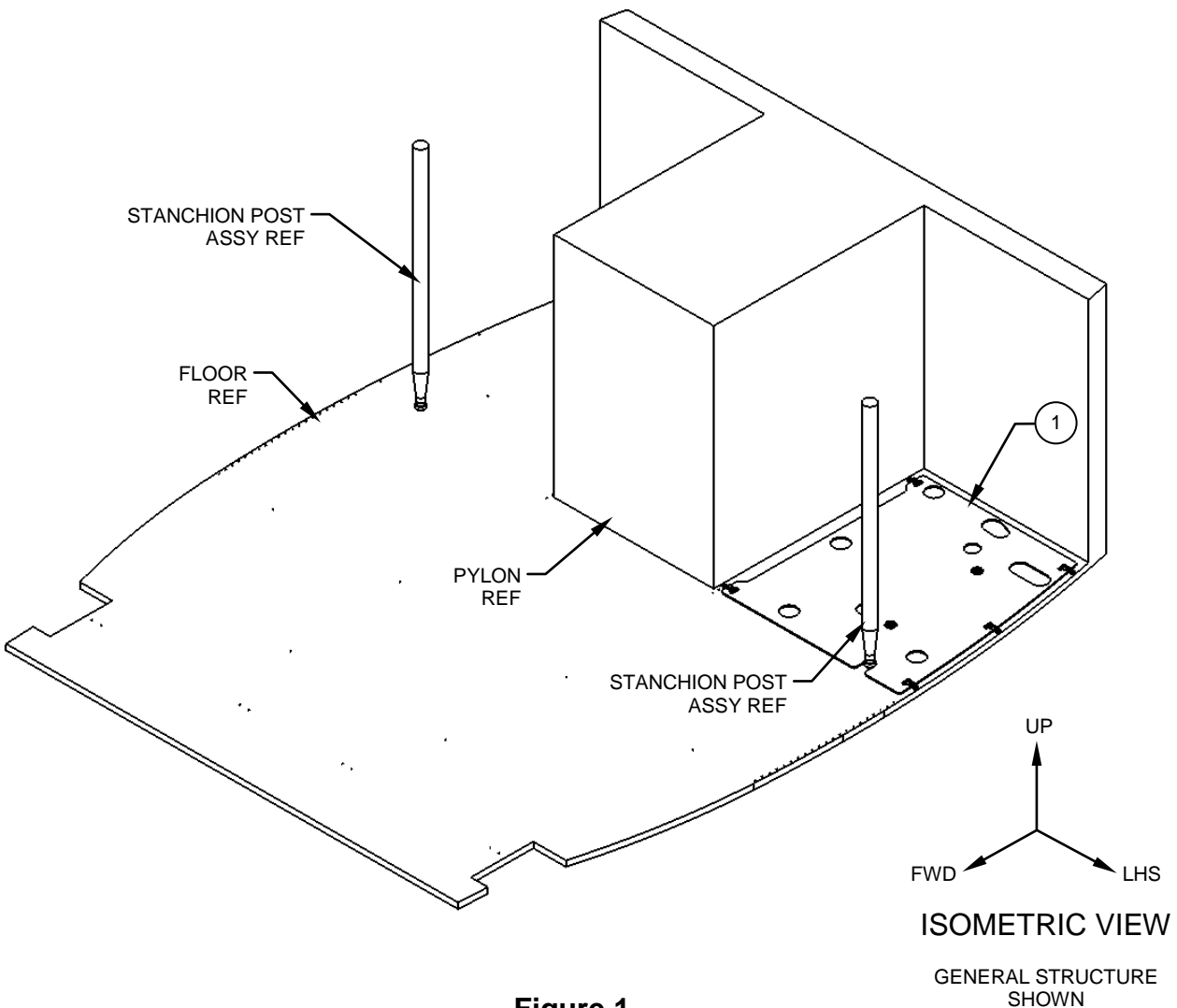


Figure 1



Installation Instructions

2. Install the Floor Board Assy, Item 1, as shown. Reference Figure 2.
3. Remove and discard the existing floor panel hardware, 7 places, from the locations shown. Reference Figure 2.

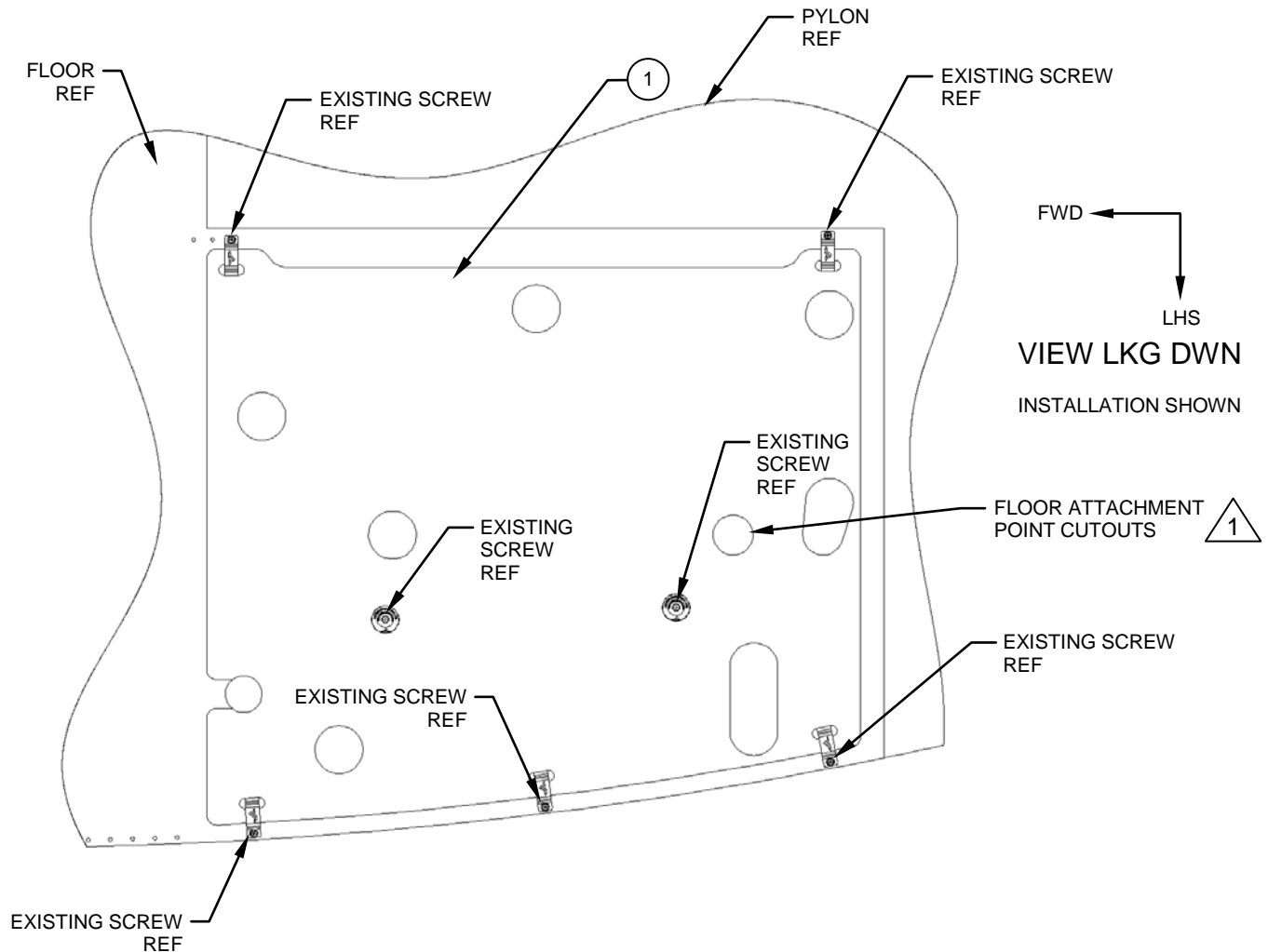


Figure 2



Installation Instructions

4. Install the Clip Details, Item 2, and mounting hardware in the existing hardware locations. Reference Figure 3 & 4.
5. Install the Retainer Details, Item 5, and mounting hardware in the existing hardware locations. Reference Figure 3 & 5.

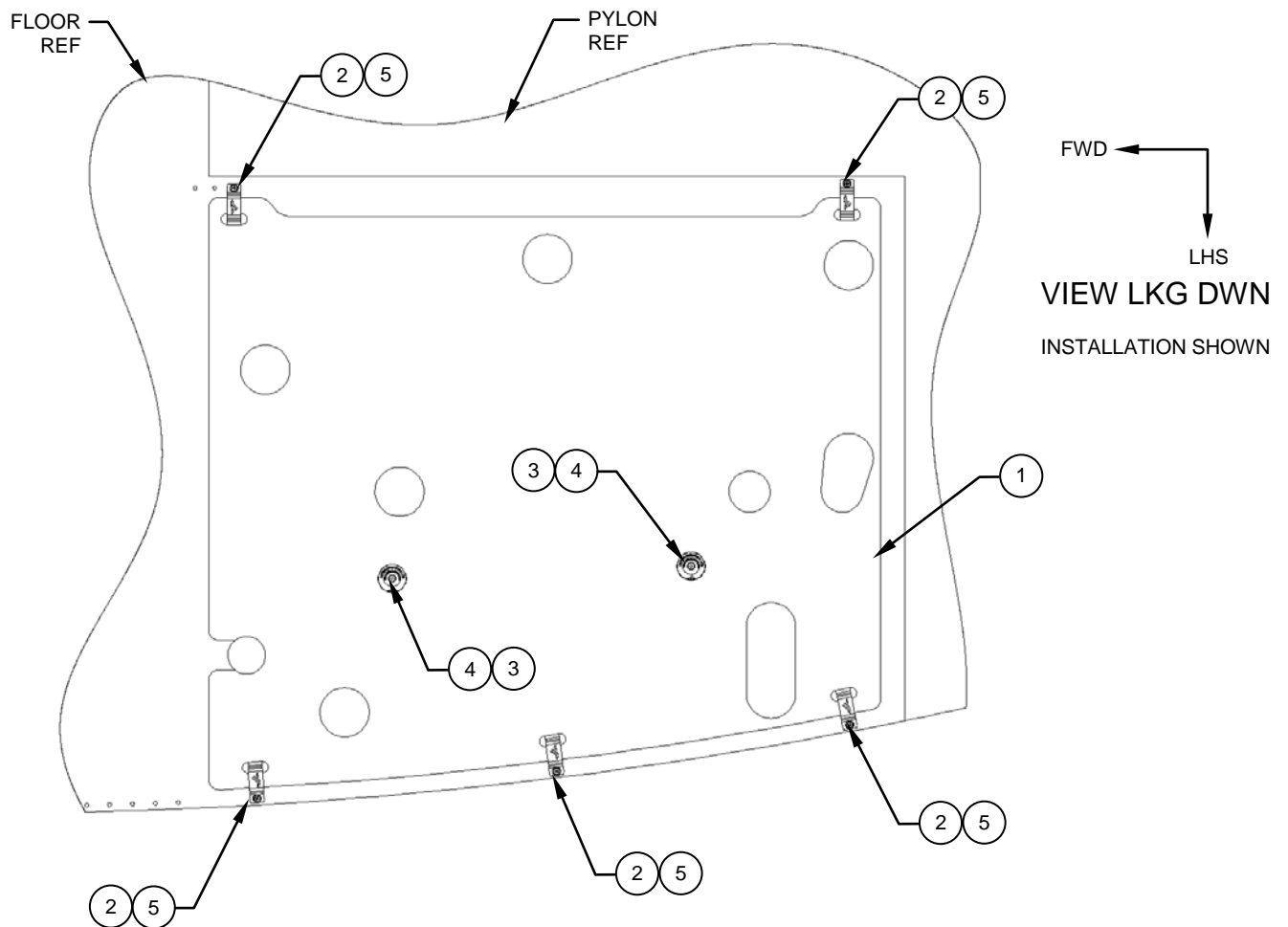


Figure 3



Installation Instructions

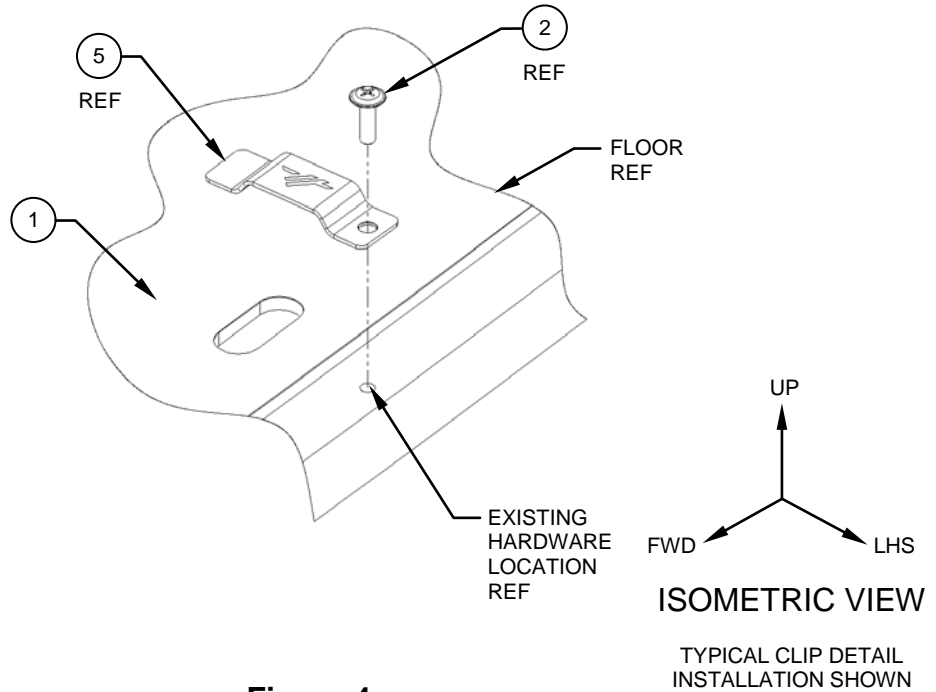


Figure 4

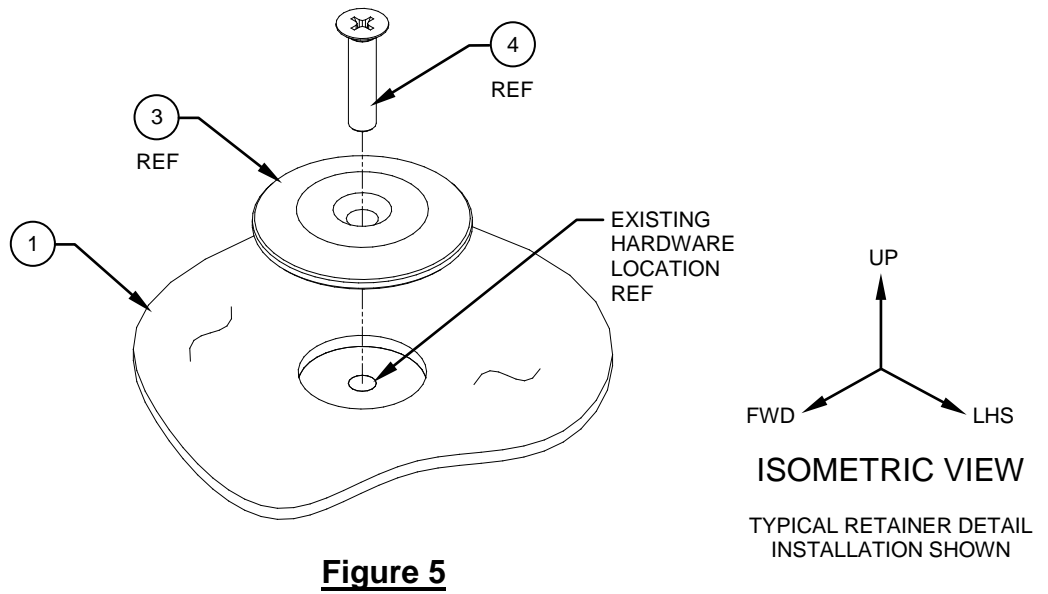


Figure 5



Installation Instructions

Grip Tape Install

6. Placement of the Grip Tape is optional. It's location is approximate and can be placed to suite the individual operators needs. See Figure 6.
7. Trimming may be required to clear the existing floor cutouts.

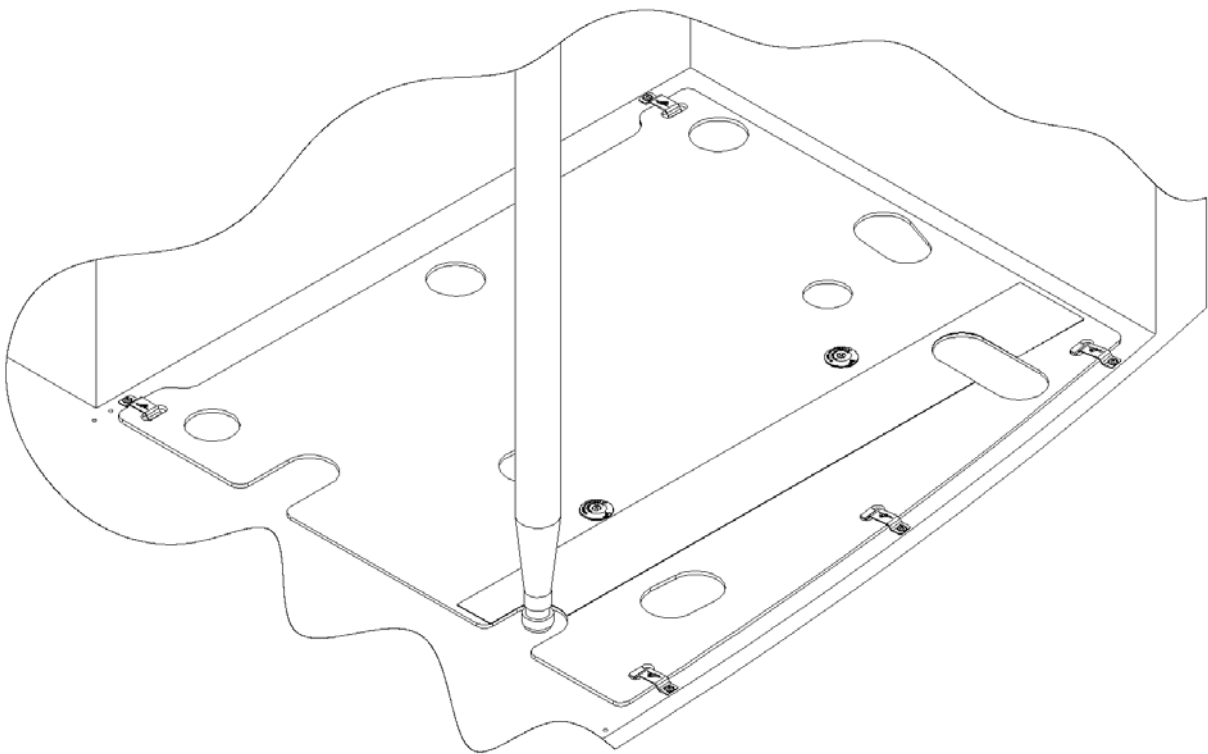


Figure 6

8. Ensure that adequate pressure is applied to promote a good bond between the grip tape and panel assy. **NOTE:** The tape will go from a milky to a more translucent appearance once it has bonded properly.



Installation Instructions

9. Re-install the 2 Man, LHS, outboard facing seat/seat legs and any fixed or loose items previously removed. Reference Step 1.
10. Installation complete.
11. Perform a general inspection of all items to ensure proper installation.
12. Update the aircraft log book for the installation of the Floor Board, Kit, LHS.