

## **FLOOR BOARD, KIT, FWD INSTALLATION INSTRUCTIONS**

**MODELS: BELL 205, 212, 412, 412CF & 412EP**  
(Without Airline Seat Provisions)

Read all of the installation instructions thoroughly  
prior to the installation of this product



**Weight & Balance**

<u>Part Number</u>	<u>Description</u>	<u>Weight</u>	<u>Long. Arm</u>	<u>Lat. Arm</u>
AAL-212-020-019	Floor Board, Kit, FWD	21.24*	100.26	0.03 LBL
		9.63 (Kg)	2.55(m)	0.00 (m) LBL

\* Total increase in weight to aircraft.

**General Notes**

1. All Installation Instructions must be completed in accordance with standard aircraft practices. Refer to the current revision of the FAA manual AC 43.13, Aircraft Inspection, Repair & Alterations, for instructions.
2. All Hardware must be torqued to standard aircraft specifications. Refer to the current revision of the FAA manual AC 43.13, Aircraft Inspection, Repair & Alterations, for instructions.
3. All Dimensions are in imperial measures (inches/pounds).
4. Refer to the Floor Board, Kit, FWD Illustrated Parts Breakdown for the part numbers of the items contained within this document.
5. Refer to the Floor Board, Kit, FWD Maintenance Manual Supplement for the inspection and maintenance of the items contained within this document.

**Installation Notes**



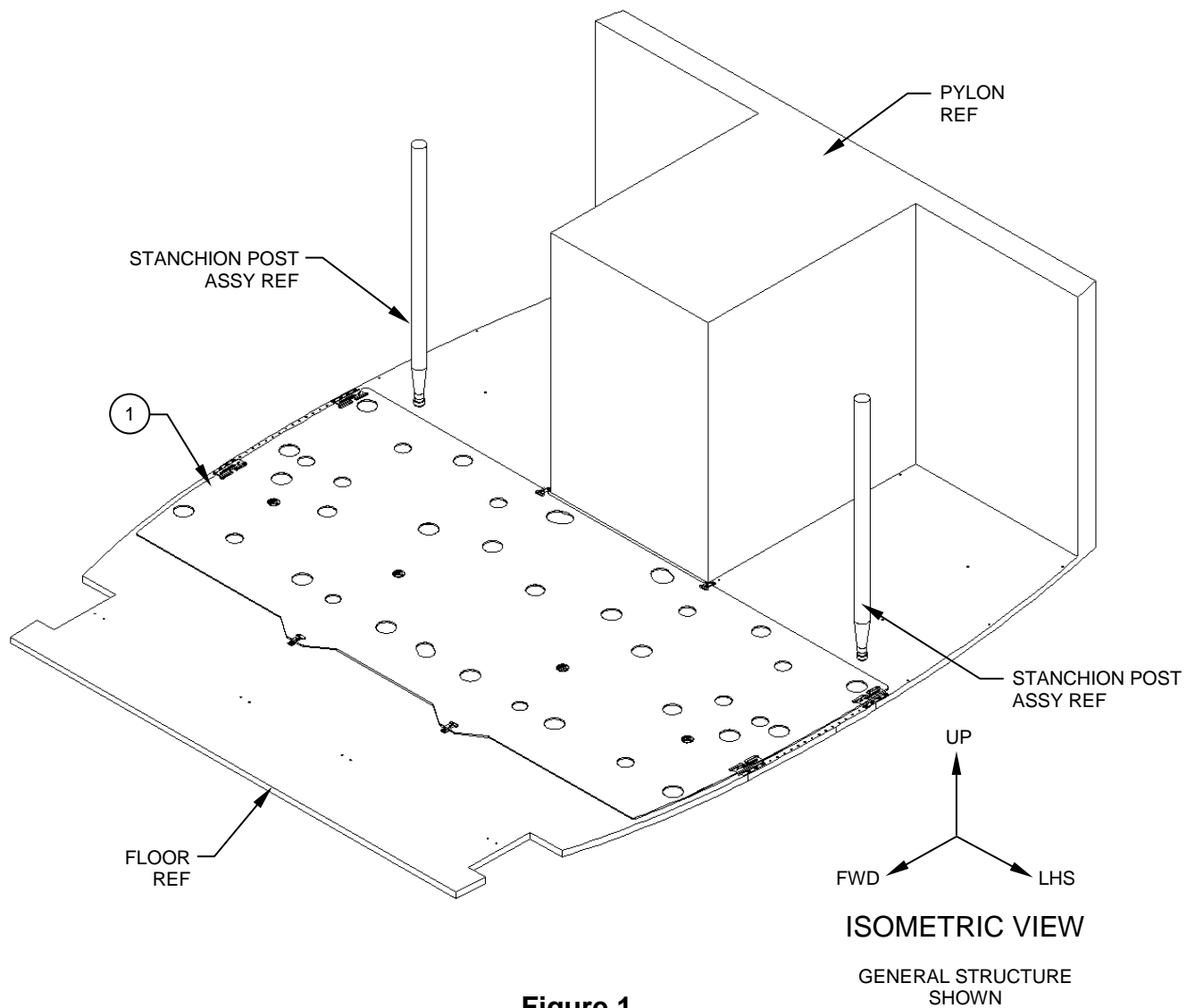
Additional cutouts may be added as required. If additional cutouts are added, Weight & Balance must be recalculated accordingly.



## Installation Instructions

1. Temporarily remove the 4 Man, AFT facing seat and 5 Man, FWD facing seats/seat legs and any other fixed or loose items they may obstruct the installation of the Floor Board Assy, Item 1. Reference Figure 1.

**NOTE: Removal of the Stanchion Post assys is not required.**

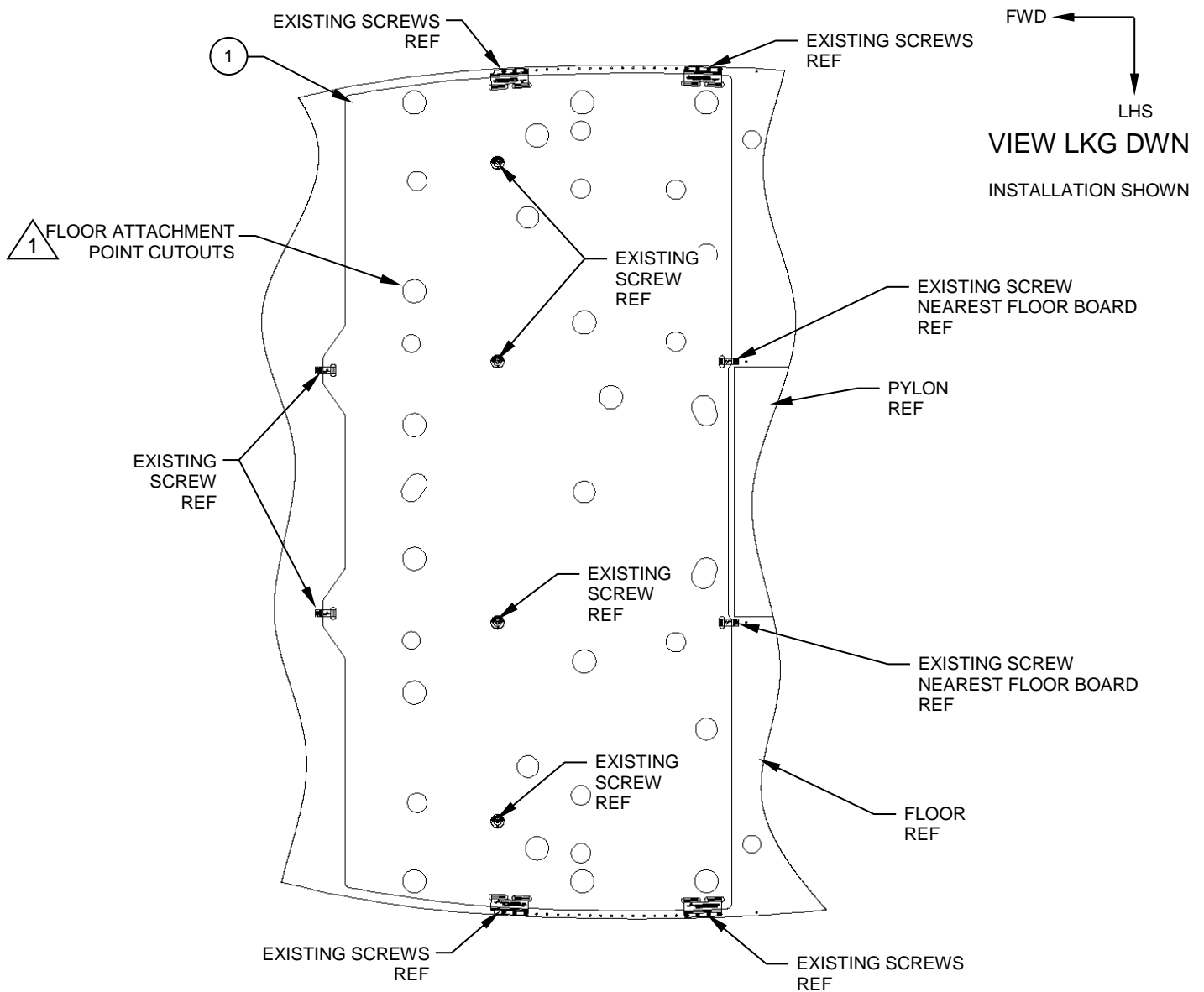


**Figure 1**



## Installation Instructions

2. Install the Floor Board Assy, Item 1, as shown. Reference Figure 2.
3. Remove and discard the existing floor panel hardware, 14 places, from the locations shown. Reference Figure 2.

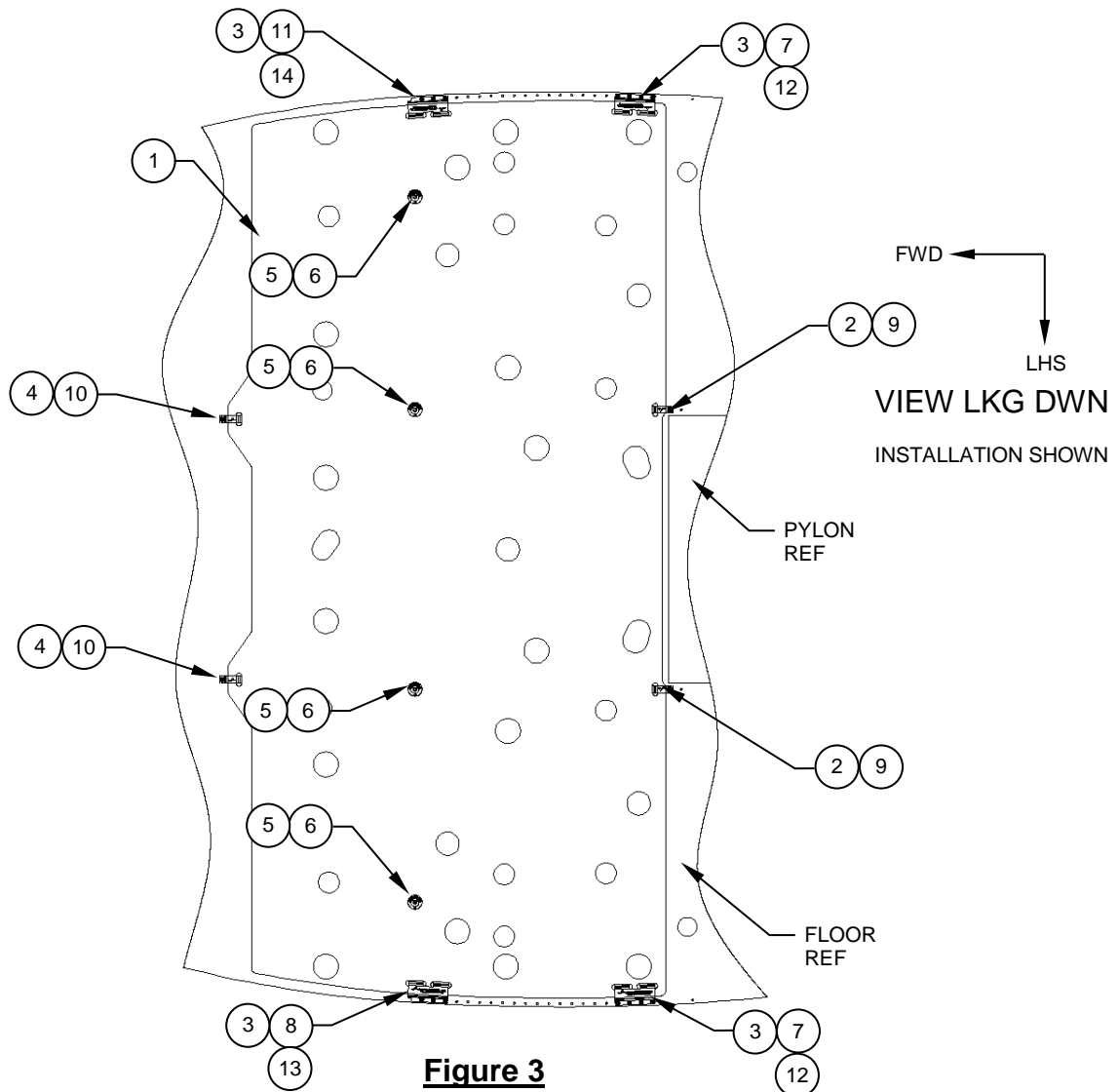


**Figure 2**



## Installation Instructions

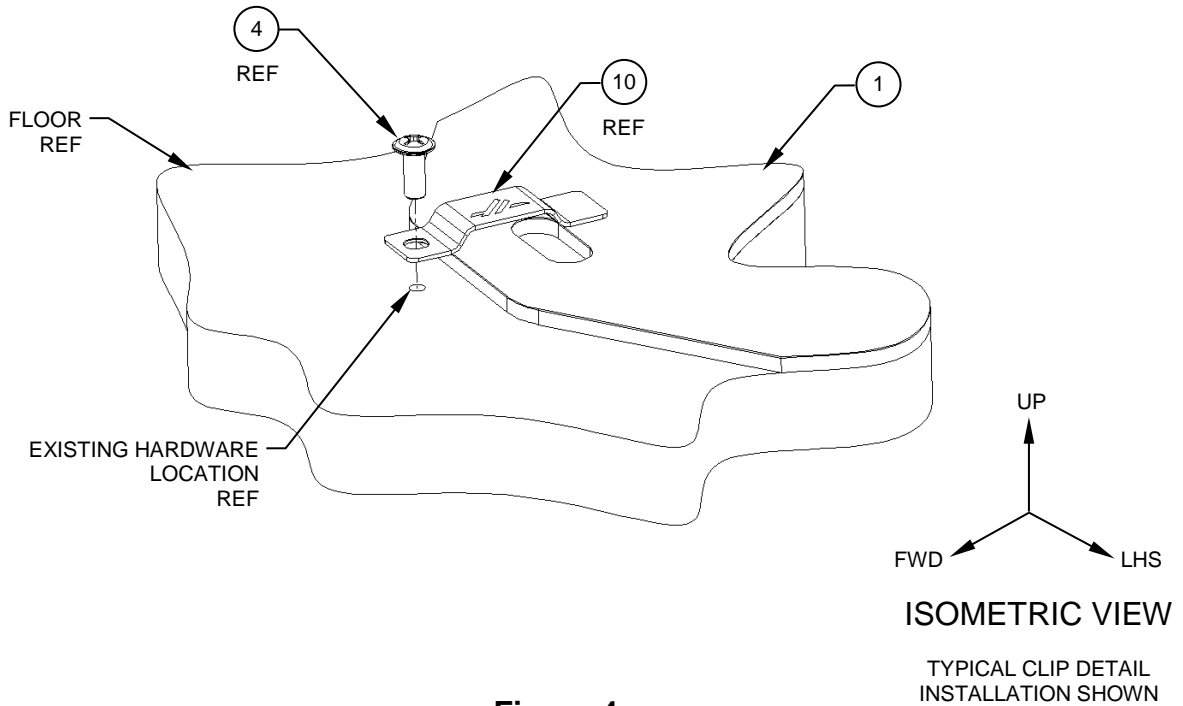
- For 212, 412 applicability, install the Cli Detail, Items 7 thru 11 and mounting hardware in the existing hardware locations. Figure 3 & 4.
- For 205 applicability, install the Clip Detail, Items 9, 10, 12, 13 & 14 and mounting hardware in the existing hardware locations. Clip Details, Items 12, 13 & 14 have fastener holes, temporarily place the clips in their respective locations, pick existing fastener locations and transfer the holes to the clips. Reference Figures & 4.
- Install the Retainer Detail, Item 5, and mounting hardware in the existing hardware locations. Reference Figure 3 & 5.



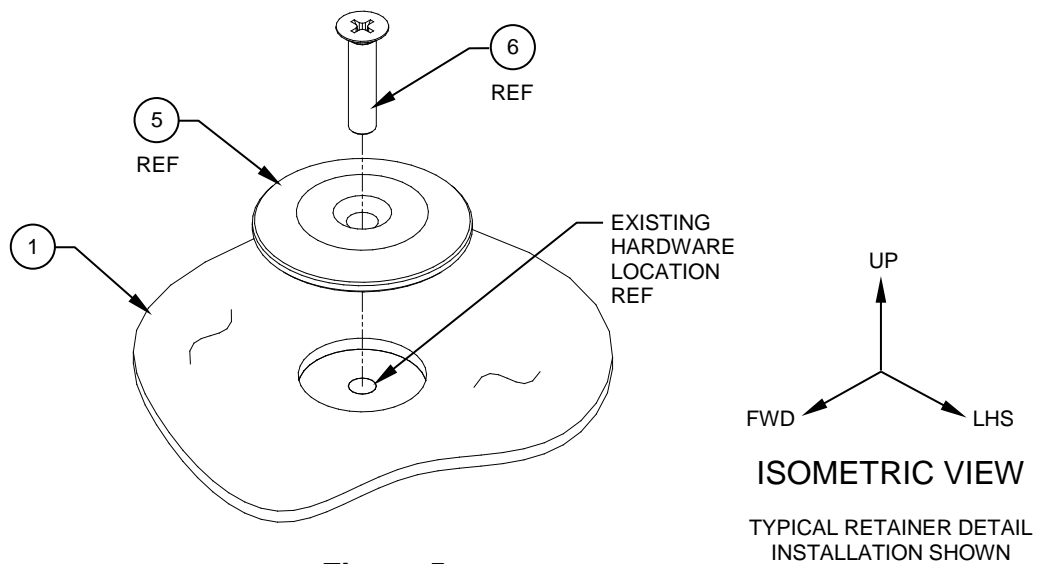
**Figure 3**



**Installation Instructions**



**Figure 4**



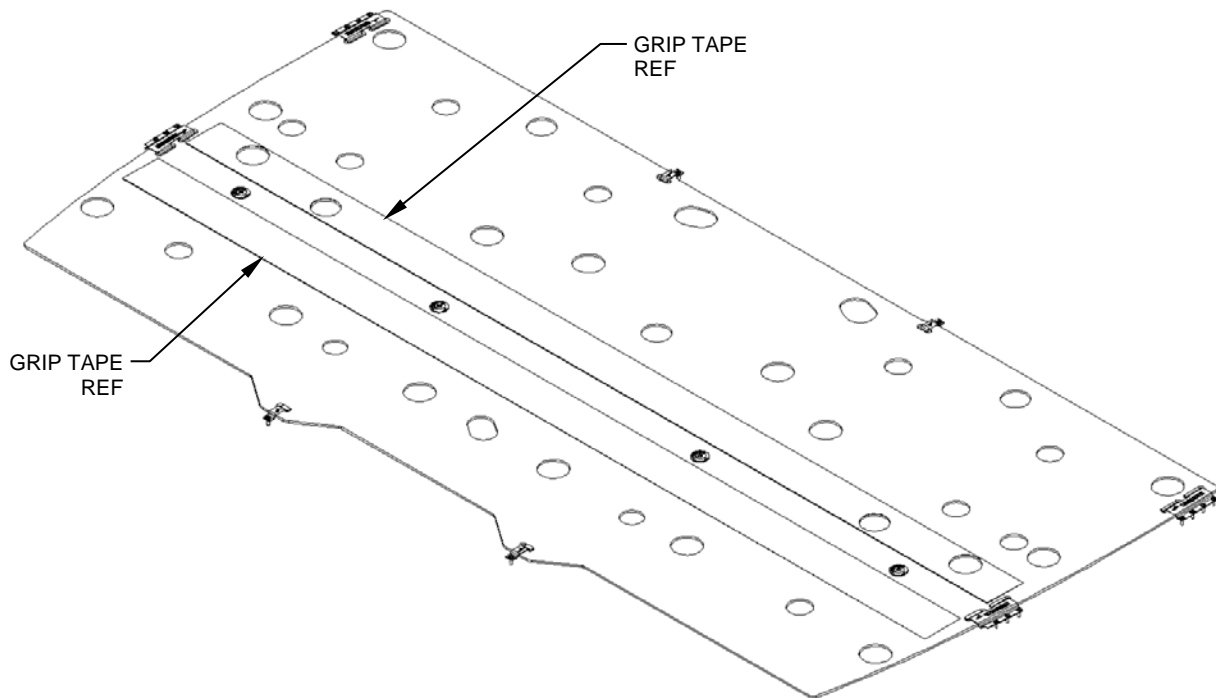
**Figure 5**



## Installation Instructions

### Grip Tape Install

7. Placement of the Grip Tape is optional. It's location is approximate and can be placed to suite the individual operators needs. See Figure 6.
8. Trimming may be required to clear the existing floor cutouts.



**Figure 6**

9. Ensure that adequate pressure is applied to promote a good bond between the grip tape and panel assy. **NOTE:** The tape will go from a milky to a more translucent appearance once it has bonded properly.



**ALPINE AEROTECH LTD.**

www.alpineaerotech.com



1260 Industrial Road, Kelowna, B.C., Canada V1Z 1G5

Phone: (250) 769-6344 Fax: (250) 769-6303

admin@alpineaerotech.com

---

## **Installation Instructions**

10. Re-install the 4 Man, AFT facing seat and 5 Man, FWD facing seats/seat legs and any fixed or loose items previously removed. Reference Step 1.
11. Installation complete.
12. Perform a general inspection of all items to ensure proper installation.
13. Update the aircraft log book for the installation of the Floor Board, Kit, FWD.