

## **BOOST PUMP DRAIN RESERVOIR, KIT INSTALLATION INSTRUCTIONS**

### **MODELS: BELL 212**

Read all of the installation instructions thoroughly  
prior to the installation of this product



**Weight & Balance**

<u>Part Number</u>	<u>Description</u>	<u>Weight</u>	<u>Long. Arm</u>	<u>Lat. Arm</u>
AAL-260-010-001	Boost Pump Drain Res., Kit	4.20* 1.91 (Kg)	213.37 5.42 (m)	7.58 LBL 0.19 (m) LBL

\* Total increase in weight to aircraft.  
Reservoir Assy empty.

**General Notes**

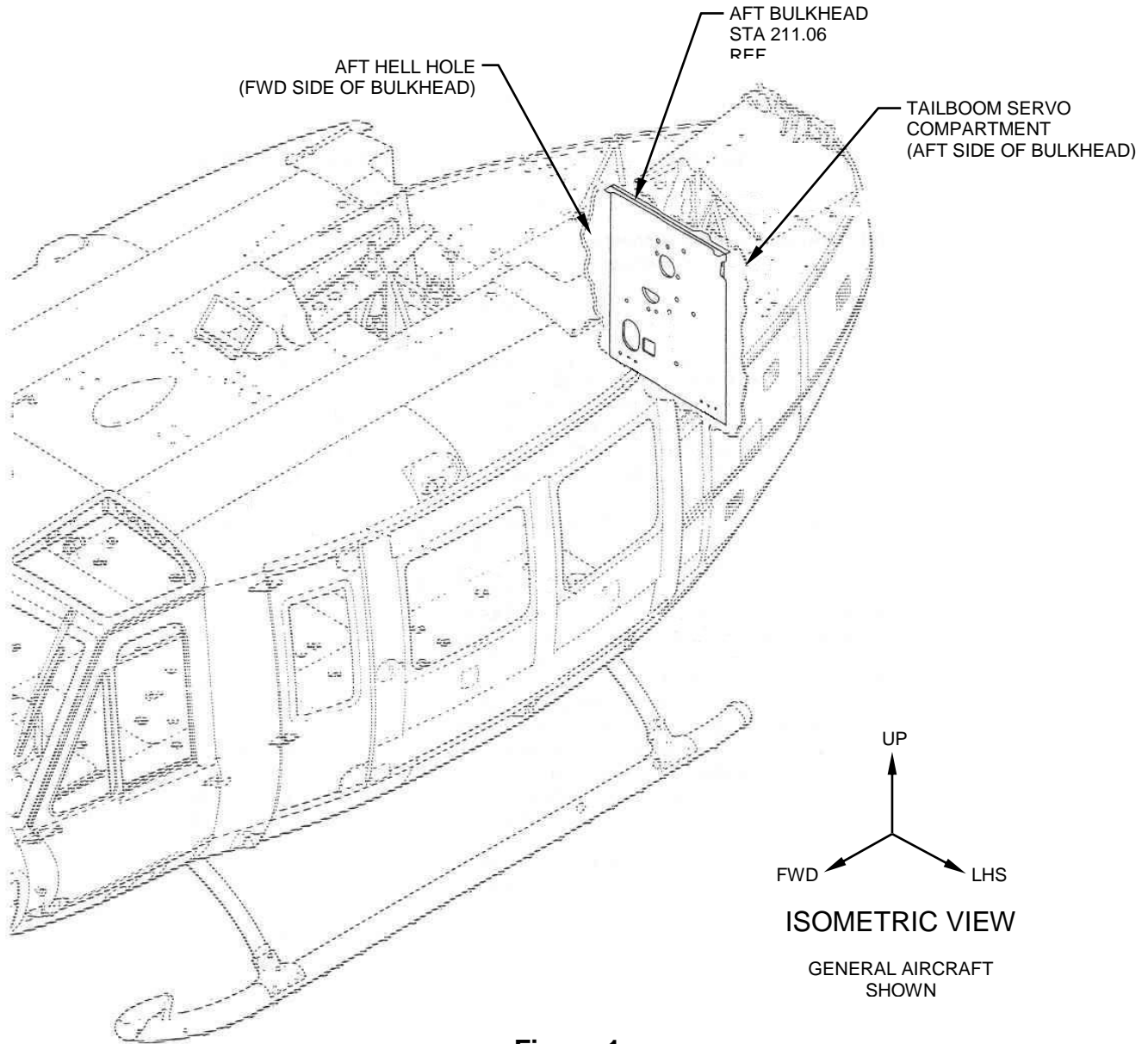
1. All Installation Instructions must be completed in accordance with standard aircraft practices. Refer to the current revision of the FAA manual AC 43.13, Aircraft Inspection, Repair & Alterations, for instructions.
2. All Hardware must be torqued to standard aircraft specifications. Refer to the current revision of the FAA manual AC 43.13, Aircraft Inspection, Repair & Alterations, for instructions.
3. All Dimensions are in imperial measures (inches/pounds).
4. Refer to the Boost Pump Drain Reservoir, Kit Illustrated Parts Breakdown for the part numbers of the items contained within this document.
5. Refer to the Boost Pump Drain Reservoir, Kit Maintenance Manual Supplement for the inspection, maintenance and operation of the items contained within this document.

**Installation Notes**

- 1 Drill holes and install Inserts, Item 2, in accordance with the current revision of the BHT Structural Repair Manual, BHT-MED-SRM-1, Sections 3-2-11 & 3-2-12.
- 2 Apply Anti-Tamper/Witness Paint, Item 26, to the BHD Nuts, Item 10, and adjacent item.
- 3 Bend 4 opposing prongs over to secure the button plug in place.



## Installation Instructions



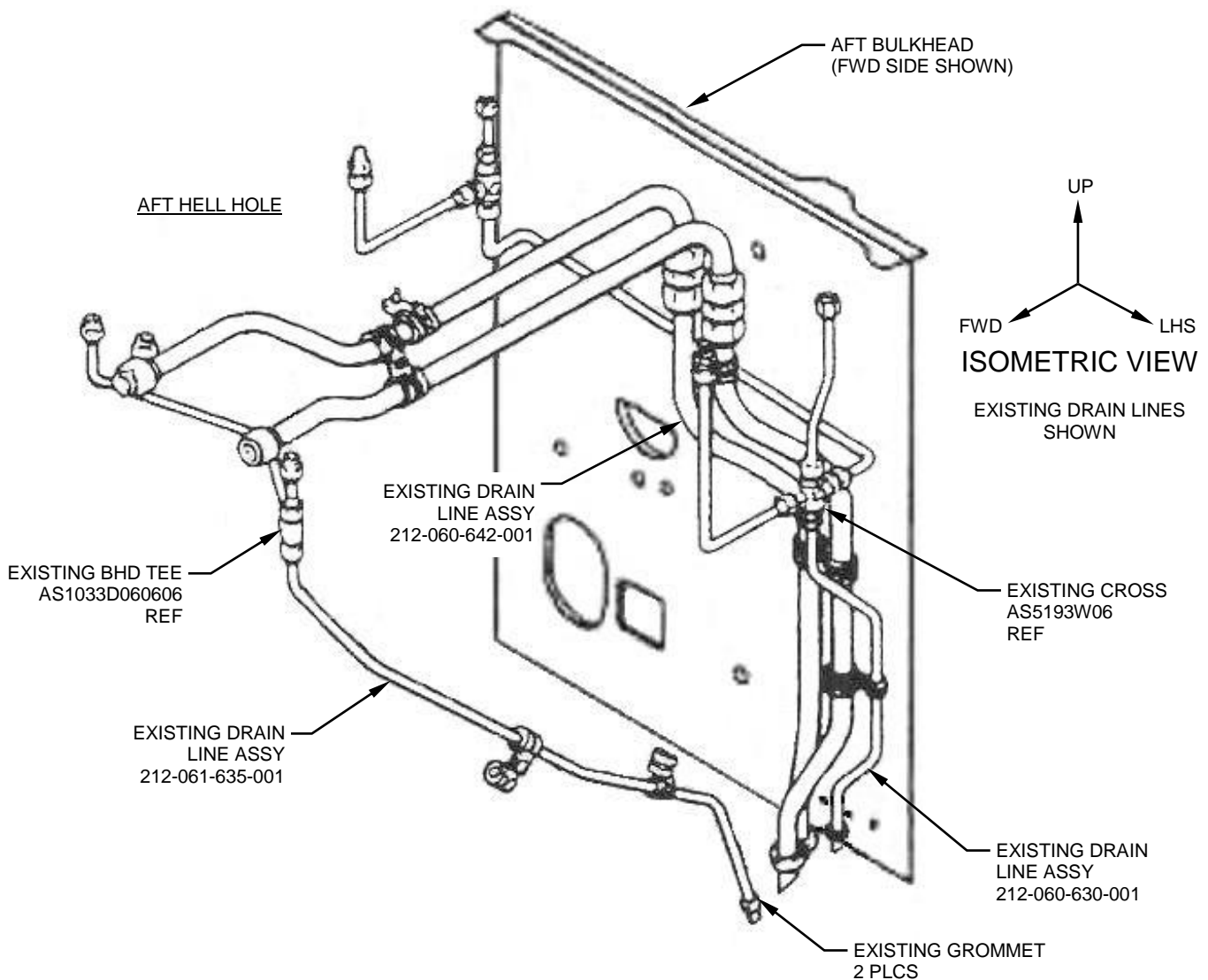
**Figure 1**



## Installation Instructions

1. Remove the existing Drain Line assys, P/N 212-061-635-001 & 212-061-630-001, unnecessary attachment hardware and grommets from the aircraft. Reference Figure 2.

**NOTE: Do not remove the existing Cross, BHD Tee and Drain Line assy, P/N 212-060-642-001.**

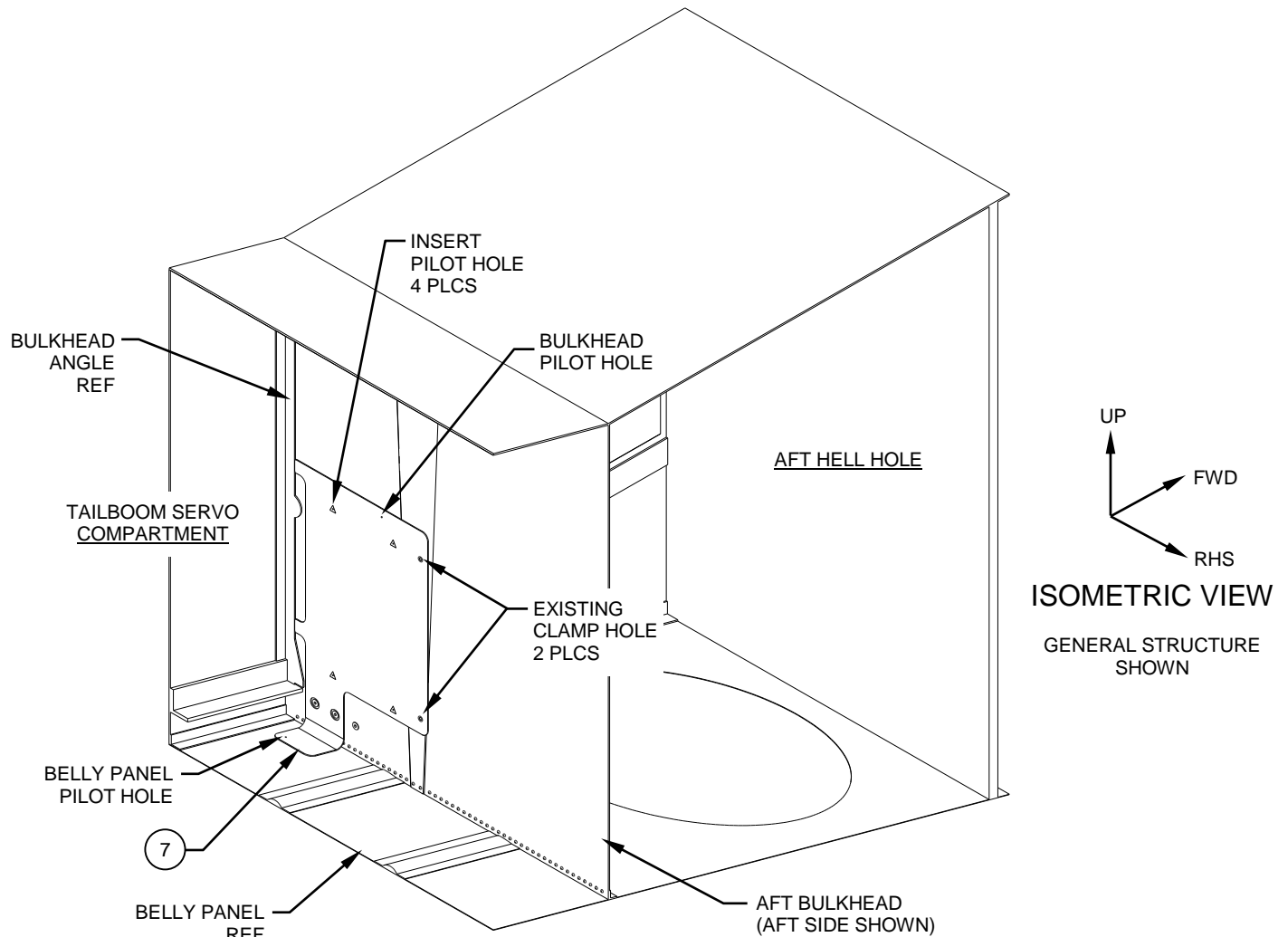


**Figure 2**



## Installation Instructions

2. Temporarily remove the clamps and hardware that secure the vertically oriented drain line assy, which is located on the AFT side of the AFT Bulkhead. Reference Figure 3.
3. Locate the Template Detail, Item 7, on the AFT side of the AFT Bulkhead as shown. Locate the Template Detail flush with AFT Bulkhead, making contact with the Bulkhead angle on the LHS and the belly panel. Reference Figure 3.



**Figure 3**

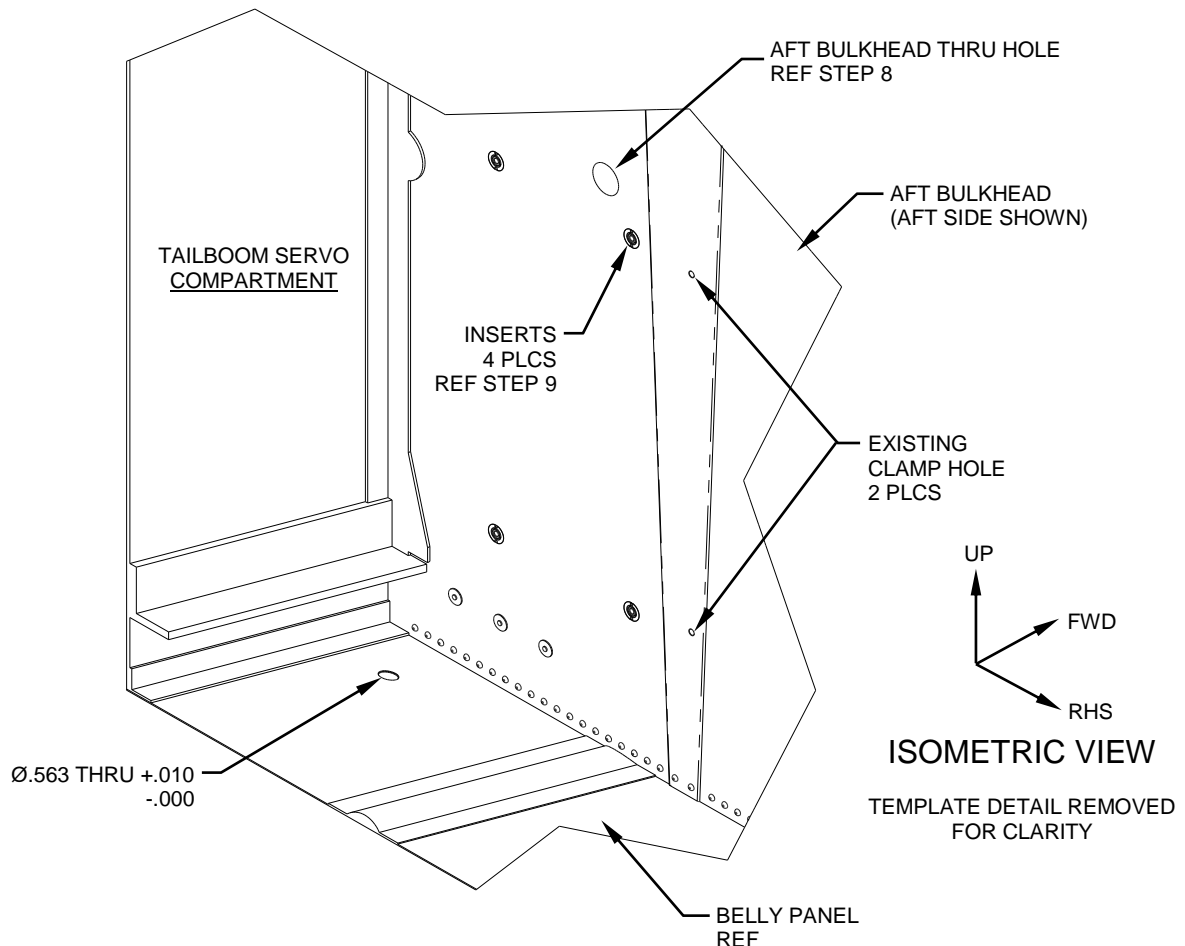
4. Secure the Template Detail to the AFT Bulkhead using the previously removed clamp hardware and threaded inserts for the clamps. Reference Figure 3.



## Installation Instructions

5. With the Template Detail installed, drill the AFT Bulkhead Pilot Hole, 098" dia., and the Belly Panel Pilot Hole, 098" dia., completely through the Bulkhead and Belly Panel respectively. Reference Figure 3.
6. With the Template Detail installed, drill the Insert Holes, 098" dia., 4 plcs, through the first skin of the AFT Bulkhead only. Reference Figure 3.

**NOTE: Use caution. Do not drill completely through the AFT Bulkhead.**



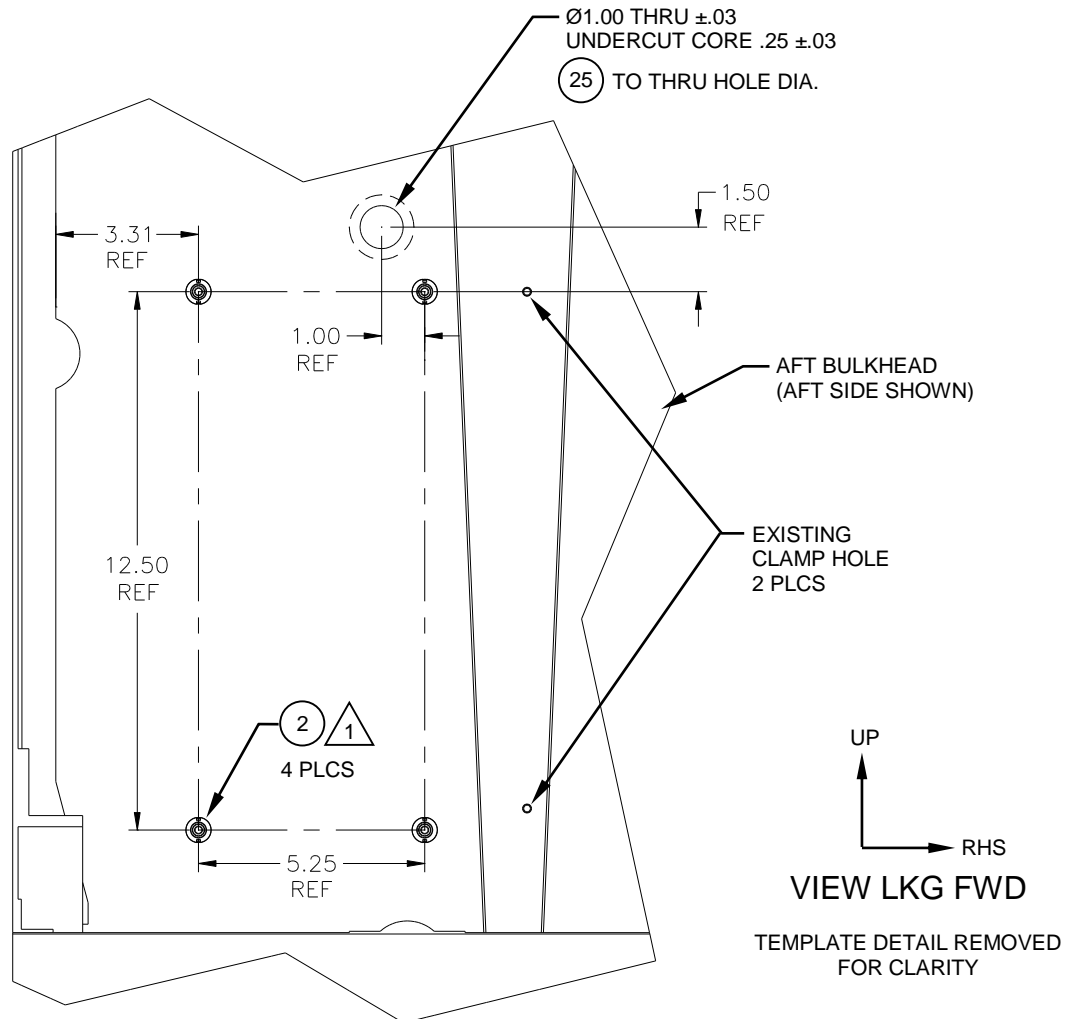
**Figure 4**

7. Remove the Template Detail and drill a Ø.563 hole thru the Belly Panel Pilot Hole as shown. Reference Figure 4.



## Installation Instructions

8. Drill a  $\varnothing 1.00$  hole thru the AFT Bulkhead Pilot Hole as shown. Undercut the honeycomb core .25 and fill the void with Magnobond 6398, Item 25, to the thru hole dia. Reference Figure 4 & 5.



**Figure 5**

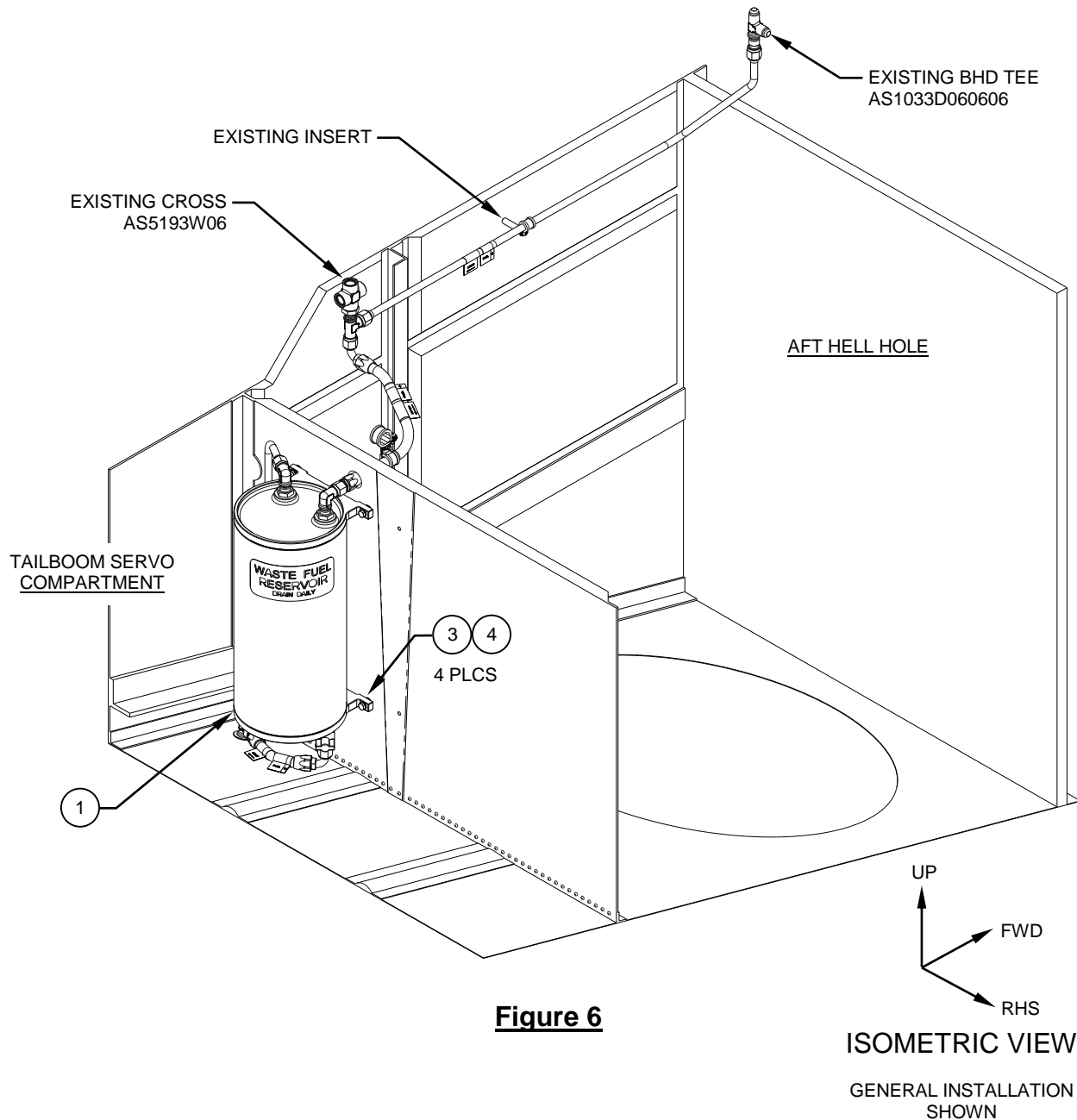
9. Drill four (4) Insert holes in the AFT Bulkhead using the Insert Pilot Holes and install the inserts, Item 2. Reference Figure 4, 5 & Flag Note 1.

**NOTE: Use caution. Do not drill completely through the AFT Bulkhead.**



## Installation Instructions

10. Install the Reservoir Assy, Item 1, and mounting hardware on the AFT Bulkhead as shown. Reference Figure 6.



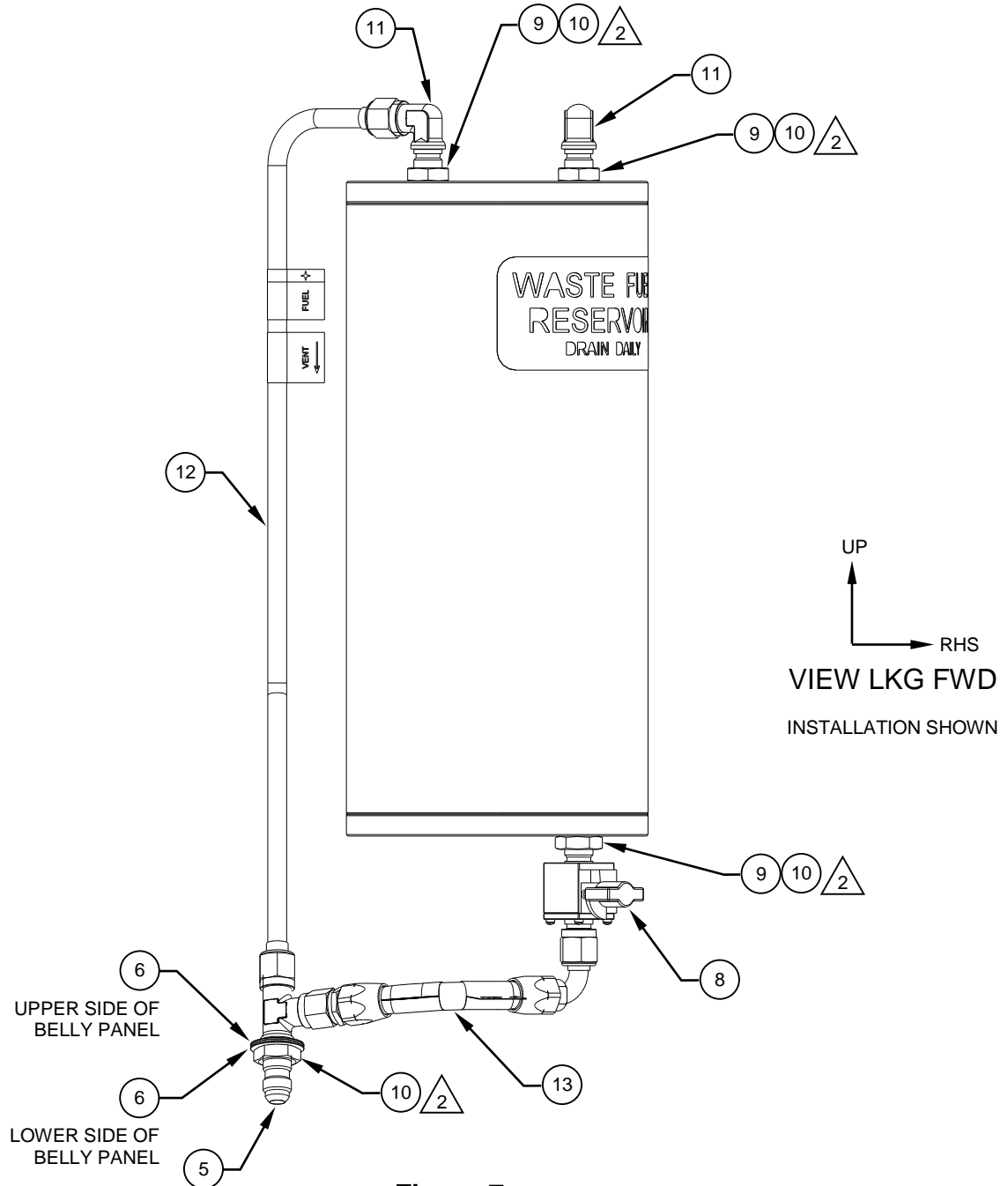
**Figure 6**





### Installation Instructions

11. Install the Tube Assy, Item 12, Hose Assy, Item 13, and fittings/hardware on the Reservoir Assy and Bell Panel as shown. Reference Figure 6 & 7.

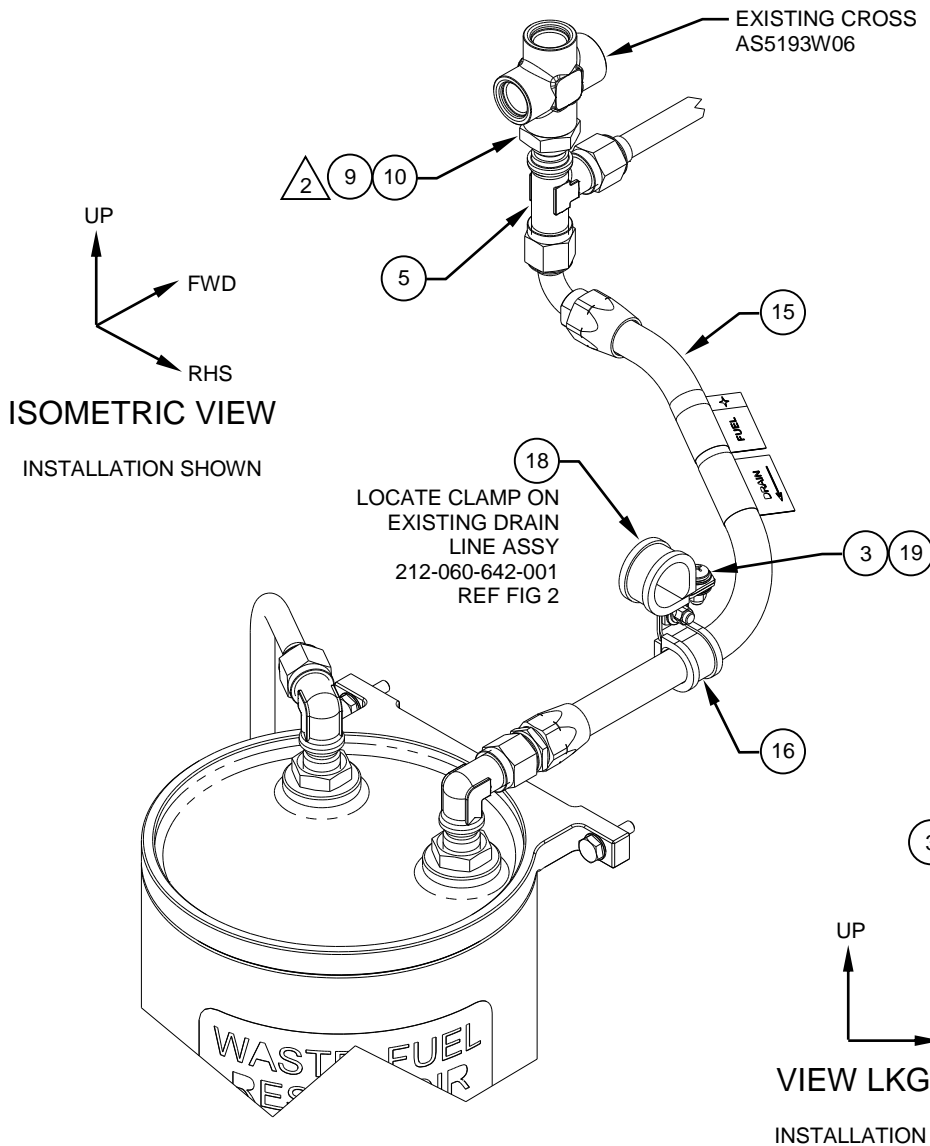


**Figure 7**

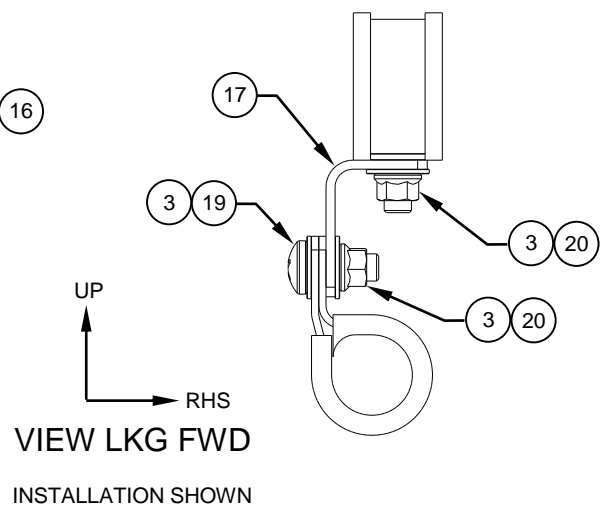


**Installation Instructions**

12. Install the Hose Assy, Item 15, and fittings/mounting hardware on the Reservoir Assy and existing Cross, AS5193W06, as shown. Reference Figure 6, 8 & 9.



**Figure 8**

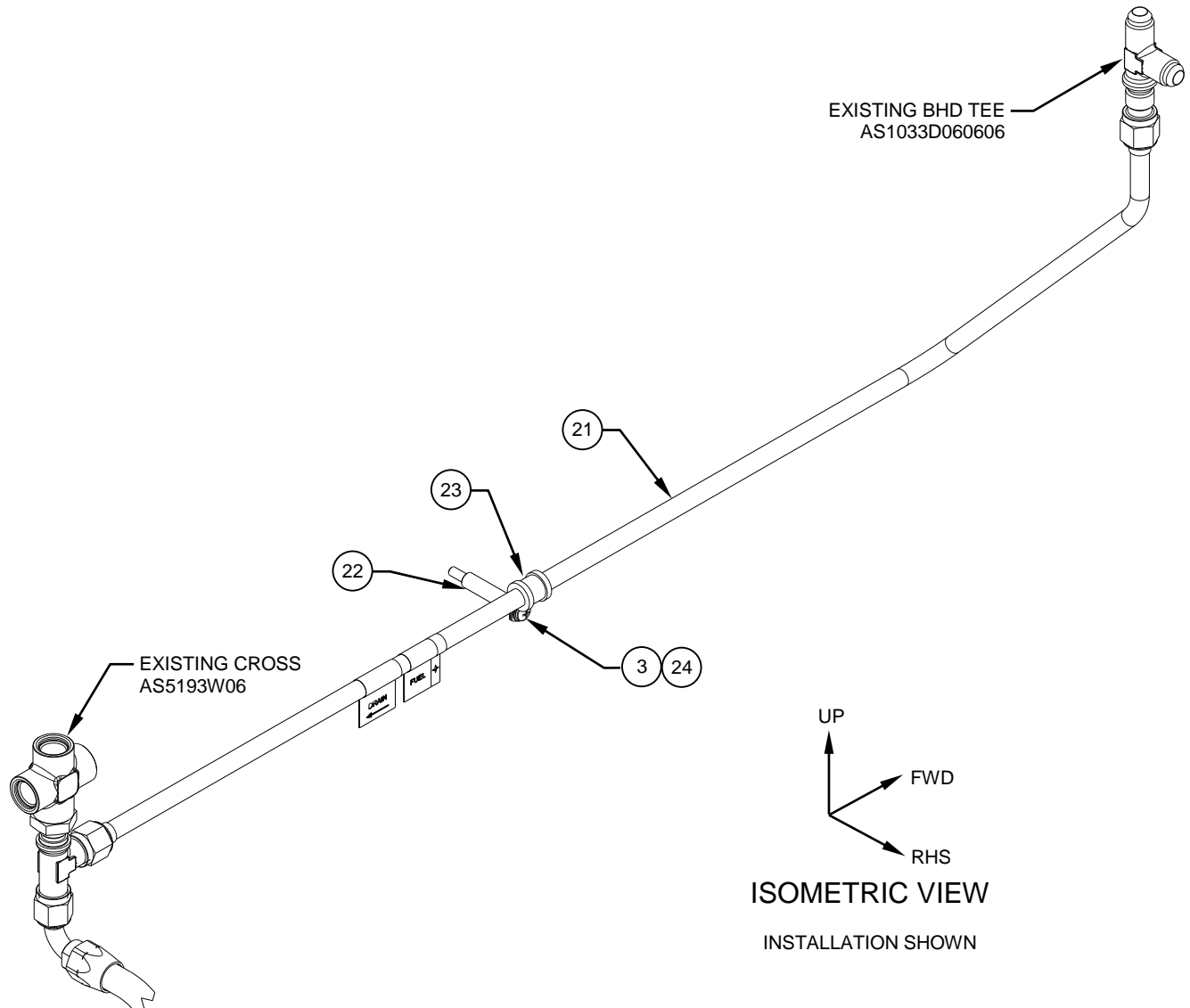


**Figure 9**



### Installation Instructions

13. Install the Tube Assy, Item 21, and mounting hardware on the existing BHT Tee, AS1033D060606, as shown. Reference Figure 6 & 10.

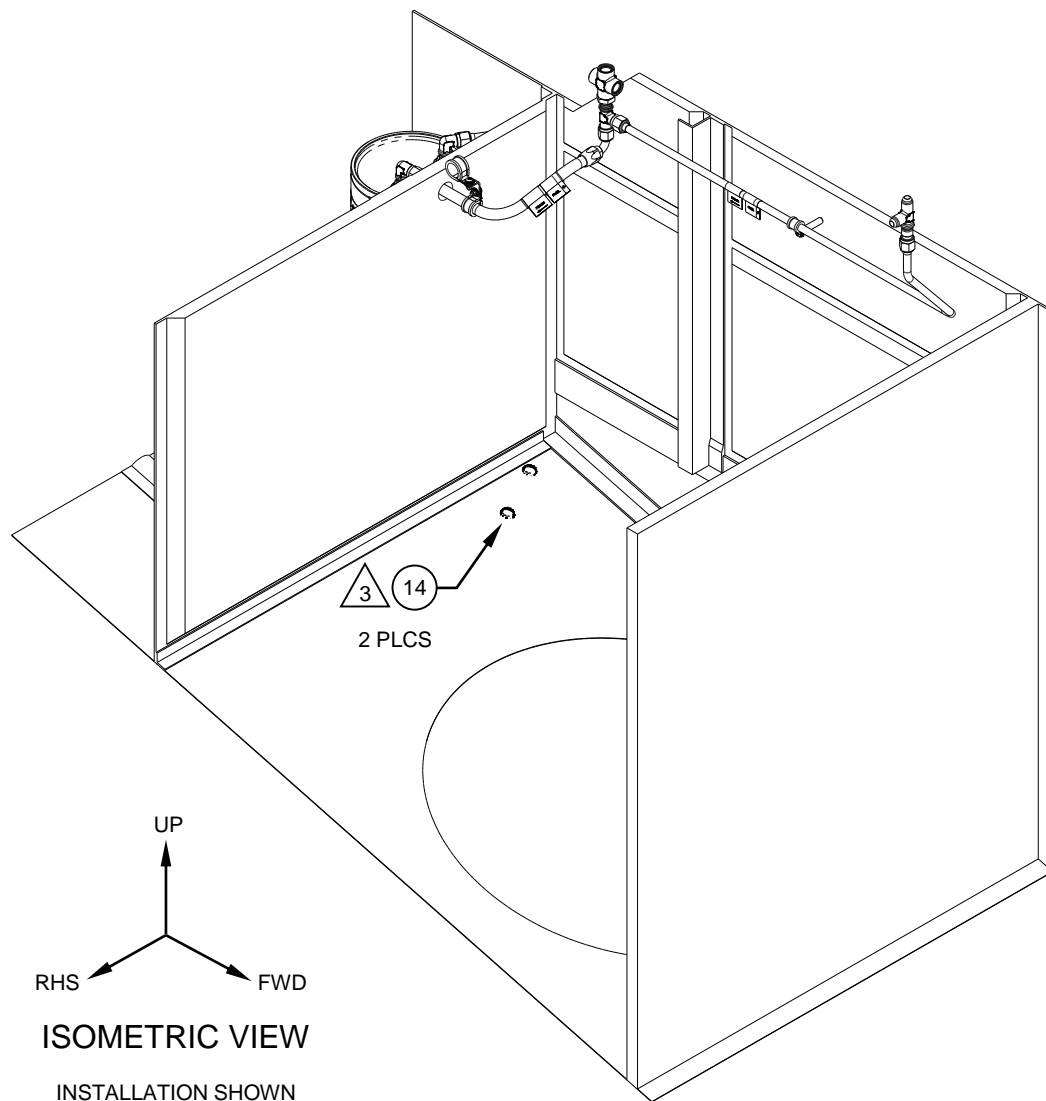


**Figure 10**



## Installation Instructions

14. Install the Button Plugs, Item 14 in the Belly Panel as shown. Reference Figure 11 & Flag Note 3.



**Figure 11**

15. Re-secure the clamps and hardware that secure the vertically oriented drain line assy, which is located on the AFT side of the AFT Bulkhead. Reference Step 2.



### **Installation Instructions**

16. Installation complete.
17. Perform a general inspection of all items to ensure proper installation.
18. Update the aircraft log book for the installation of the Boost Pump Drain Reservoir, Kit.