

AFT BAGGAGE COMPARTMENT PROTECTION, KIT INSTALLATION INSTRUCTIONS

MODELS: BELL 505

Table of Contents

<u>Section</u>	<u>Description</u>	<u>Page</u>
1	Description	2
2	Installation AFT Baggage Compartment Protection, Kit	3
	Applicability	3
	Installation Instructions Floor Panel, Kit – AAL-312-070-001	4
	Removal Instructions	4
	Installation Instructions AFT Panel, Kit – AAL-312-070-002	5
	Removal Instructions	5
	Installation Instructions LHS OUTBD Panel, Kit – AAL-312-070-003	6
	Removal Instructions	6
	Installation Instructions LHS FWD Bulkhead Panel, Kit – AAL-312-070-004	7
	Removal Instructions	7
	Installation Instructions RHS FWD Bulkhead Panel, Kit – AAL-312-070-005	8
	Removal Instructions	8

Notes

1. If changes to this document are required, Alpine Aerotech LP shall revise all pages and reissue the entire document.
2. Alpine Aerotech LP shall make any subsequent revisions of this document available free of charge upon request. Alpine Aerotech LP also recommends that the end user of this product periodically verify the revision level of this document.

SECTION 1 DESCRIPTION

The following information provides installation instructions for the Aft Baggage Compartment Protection, Kit as defined in Alpine Aerotech LP datasets AAL-312-070-901.

- The Aft Baggage Compartment Protection, Kit includes rigid pieces of material that are installed atop the existing floor and bulkheads to protect it from dents and punctures associated with typical aircraft usage. This occurs most frequently during loading and unloading operations, but can also occur during small inflight shifts of said cargo.
- The Aft Baggage Compartment Protection, Kit when installed, adds additional protection to the floor and bulkhead panels, as it is manufactured from a material specifically designed to spread and attenuate energy.

SECTION 2 INSTALLATION & REMOVAL INSTRUCTIONS

Applicability

The Cabin Aft Baggage Compartment Protection, Kit, (AAL-312-070-901) is applicable to Bell 505 all serial numbers equipped with OEM interior.

Weight & Balance

<u>Part Number</u>	<u>Description</u>	<u>Weight</u>	<u>Long. Arm</u>	<u>Lat. Arm</u>
AAL-312-070-901	Aft Baggage Compartment Protection, Kit**	10.40* 4.71 (Kg)	168.76 (STA) 4.285 (m)	3.27 (LBL) 0.083 (m)
AAL-312-070-001	Floor Panel, Kit	4.63* 2.10 (Kg)	167.06 (STA) 4.243 (m)	1.75 (RBL) 0.044 (m)
AAL-312-070-002	AFT Panel, Kit	2.83* 1.28 (Kg)	180.82 (STA) 4.592 (m)	.22 (RBL) 0.006 (m)
AAL-312-070-003	LHS OUTBD Panel, Kit	1.35* 0.61 (Kg)	168.46 (STA) 4.279 (m)	28.62 (LBL) 0.727 (m)
AAL-312-070-004	LHS FWD Bulkhead Panel, Kit	0.86* 0.39 (Kg)	155.80 (STA) 3.957 (m)	21.34 (LBL) 0.542 (m)
AAL-312-070-005	RHS FWD Bulkhead Panel, Kit	0.73* 0.33 (Kg)	148.55 (STA) 3.773 (m)	21.37 (RBL) 0.543 (m)

* Represents total weight of applicable kit only. Recalculate C of G as appropriate.

** Compromised of Kits AAL-312-070-001 thru -005.

General Notes

1. All Installation Instructions shall be accomplished IAW standard aircraft practices. Refer to the current revision of the FAA publications AC 43.13-1B and AC 43.13-2B for details on standard aircraft practices.
2. All Dimensions are in imperial measures (inches/pounds).
3. Refer to Section 4: AAL-312-075-701 Maintenance Manual section for instructions on maintenance for the item(s) referenced within this section.
4. Refer to the Section 9: AAL-312-075-701 Illustrated Parts Breakdown for the part numbers of the item(s) referenced within this section.

Installation Instructions

Floor Panel, Kit, AAL-312-070-001

1. Make the aircraft ready for maintenance. Gain access to the baggage compartment. Reference Figure 1.
2. Bend the Floor Panel, Assy, (Item 2), as required to temporarily install it in the aircraft.
3. Locate the Floor Panel, Assy, (Item 2), so that it is centered and clears all aircraft structure. Transfer 16x hole locations from the Floor Panel, Assy, (Item 2), to the baggage compartment floor with a permanent marker. Reference Figure 1.

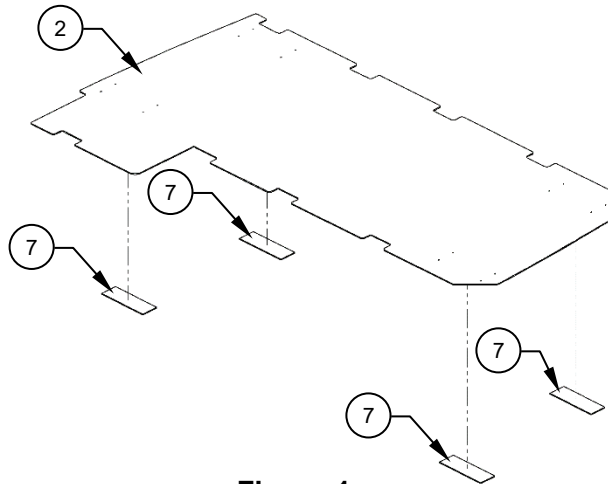


Figure 1

Some Items Removed for Clarity
Aircraft Structure Not Shown

4. Remove the Floor Panel, Assy, (Item 2), and install 4x Velcro, Details, (Item 7), to the baggage compartment floor, using the marked holes from step 3. Reinstall the Floor Panel, Assy, (Item 2), onto the 4x Velcro, Details, (Item 7), and press down firmly to ensure proper engagement.
5. Installation complete
6. Perform a General Inspection of all items to ensure proper installation.
7. Update the aircraft logbook for the installation of Floor Panel, Kit.

Removal Instructions

1. Remove all components associated with the Floor Panel, Kit.
2. Perform a General Inspection of all items to ensure proper removal.
3. Update the aircraft logbook for the removal of the Floor Panel, Kit.

Installation Instructions

AFT Panel, Kit, AAL-312-070-002

1. Make the aircraft ready for maintenance. Gain access to the baggage compartment. Reference Figure 1.
2. Temporarily install the AFT Panel, Assy, (Item 9), in the aircraft.
3. Locate the AFT Panel, Assy, (Item 9), so that it is centered and clears all aircraft structure on the AFT bulkhead. Transfer 16x hole locations from the AFT Panel, Assy, (Item 9), to the baggage AFT Bulkhead with a permanent marker. Reference Figure 1.

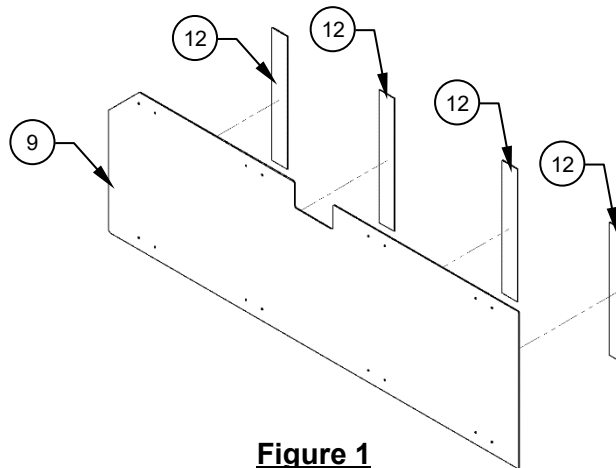


Figure 1

Some Items Removed for Clarity
Aircraft Structure Not Shown

4. Remove the AFT Panel, Assy, (Item 9), and install 4x Velcro, Details, (Item 12), to the baggage compartment AFT bulkhead, using the marked holes from step 3. Reinstall the AFT Panel, Assy, (Item 9), onto the 4x Velcro, Details, (Item 12), and press down firmly to ensure proper engagement.
5. Installation complete
6. Perform a General Inspection of all items to ensure proper installation.
7. Update the aircraft logbook for the installation of AFT Panel, Kit.

Removal Instructions

1. Remove all components associated with the AFT Panel, Kit.
2. Perform a General Inspection of all items to ensure proper removal.
3. Update the aircraft logbook for the removal of the AFT Panel, Kit.

Installation Instructions

LHS OUTBD Panel, Kit, AAL-312-070-003

1. Make the aircraft ready for maintenance. Gain access to the baggage compartment. Reference Figure 1.
2. Temporarily install the LHS OUTBD Panel, Assy, (Item 14), in the aircraft.
3. Locate the LHS OUTBD Panel, Assy, (Item 14), so that it rests on the OEM angles and is centered fore and aft. Mark the fore and aft edges on the OEM angles. Reference Figure 1.

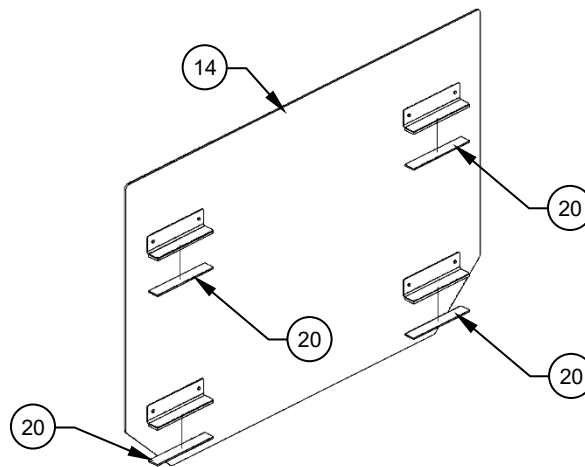


Figure 1

Some Items Removed for Clarity
Aircraft Structure Not Shown

4. Remove the LHS OUTBD Panel, Assy, (Item 14), and measure 1.5" from the marks on the OEM angles install 4x Velcro, Details, (Item 20), to the upper surface of the OEM angles. Reinstall the LHS OUTBD Panel, Assy, (Item 14), onto the 4x Velcro, Details, (Item 20), and press down firmly to ensure proper engagement.
5. Installation complete
6. Perform a General Inspection of all items to ensure proper installation.
7. Update the aircraft logbook for the installation of LHS OUTBD Panel, Kit.

Removal Instructions

1. Remove all components associated with the LHS OUTBD Panel, Kit.
2. Perform a General Inspection of all items to ensure proper removal.
3. Update the aircraft logbook for the removal of the LHS OUTBD Panel, Kit.

Installation Instructions

LHS FWD Bulkhead Panel, Kit, AAL-312-070-004

1. Make the aircraft ready for maintenance. Gain access to the baggage compartment. Reference Figure 1.
2. Temporarily install the LHS FWD Bulkhead Panel, Assy, (Item 22), in the aircraft.
3. Locate the LHS FWD Bulkhead Panel, Assy, (Item 22), so that it is centered and clears all aircraft structure on the LHS FWD bulkhead. Transfer 8x hole locations from the LHS FWD Bulkhead Panel, Assy, (Item 22), to the baggage LHS FWD Bulkhead with a permanent marker. Reference Figure 1.

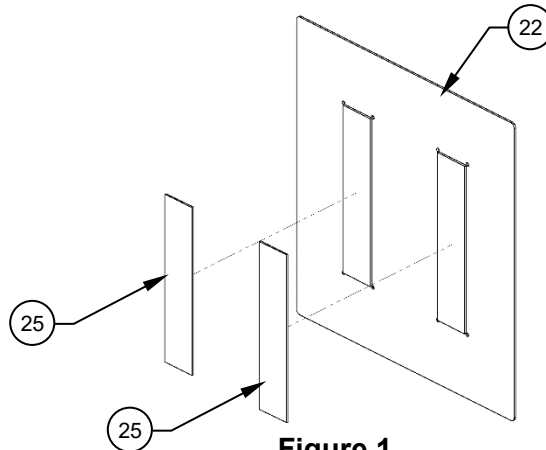


Figure 1

Some Items Removed for Clarity
Aircraft Structure Not Shown

4. Remove the LHS FWD Bulkhead Panel, Assy, (Item 22), and install 2x Velcro, Details, (Item 25), to the baggage compartment LHS FWD bulkhead, using the marked holes from step 3. Reinstall the LHS FWD Bulkhead Panel, Assy, (Item 22), onto the 2x Velcro, Details, (Item 25), and press down firmly to ensure proper engagement.
5. Installation complete
6. Perform a General Inspection of all items to ensure proper installation.
7. Update the aircraft logbook for the installation of LHS FWD Bulkhead Panel, Kit.

Removal Instructions

1. Remove all components associated with the LHS OUTBD Panel, Kit.
2. Perform a General Inspection of all items to ensure proper removal.
3. Update the aircraft logbook for the removal of the LHS OUTBD Panel, Kit.

Installation Instructions

RHS FWD Bulkhead Panel, Kit, AAL-312-070-004

8. Gain access to the baggage compartment. Reference Figure 1.
9. Temporarily install the RHS FWD Bulkhead Panel, Assy, (Item 27), in the aircraft.
10. Locate the RHS FWD Bulkhead Panel, Assy, (Item 27), so that it is centered and clears all aircraft structure on the RHS FWD bulkhead. Transfer 8x hole locations from the RHS FWD Bulkhead Panel, Assy, (Item 27), to the baggage RHS FWD Bulkhead. Reference Figure 1.

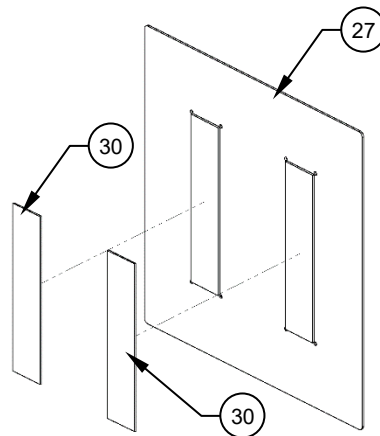


Figure 1

Some Items Removed for Clarity
Aircraft Structure Not Shown

11. Remove the RHS FWD Bulkhead Panel, Assy, (Item 27), and install 2x Velcro, Details, (Item 30), to the baggage compartment RHS FWD bulkhead, using the marked holes from step 3. Reinstall the RHS FWD Bulkhead Panel, Assy, (Item 27), onto the 2x Velcro, Details, (Item 30), and press down firmly to ensure proper engagement.
12. Installation complete
13. Perform a General Inspection of all items to ensure proper installation.
14. Update the aircraft logbook for the installation of RHS FWD Bulkhead Pan, Kit.

Removal Instructions

4. Remove all components associated with the RHS OUTBD Panel, Kit.
5. Perform a General Inspection of all items to ensure proper removal.
6. Update the aircraft logbook for the removal of the RHS OUTBD Panel, Kit.