

## **YETI PAW, KIT INSTALLATION INSTRUCTIONS**

### **MODELS: BELL 429**

Read all of the Instructions for Continuing Airworthiness thoroughly prior to performing any activities relating to this product

## Table of Contents

<u>Section</u>	<u>Description</u>	<u>Page</u>
1	Description	2
2	Installation & Removal Instructions	3
	Applicability	3
	Installation Instructions	3
	Removal InstructionS	9

## Notes

1. If changes to this document are required, Alpine Aerotech LP shall revise all pages and reissue the entire document.
2. Alpine Aerotech LP shall make any subsequent revisions of this document available free of charge upon request. Alpine Aerotech LP also recommends that the end user of this product periodically verify the revision level of this document.

## Section 1      **Description**

The following information provides a functional description of the Yeti Paw, Kit as defined in Alpine Aerotech LP authority dataset AAL-490-030-001.

- In soft terrain landing situations (i.e. tundra, snow and sand) where the skid tubes can sink into the landing area, balancing issues can occur and in rare cases the nose attitude after aircraft settles can put the aircraft into slope landing condition.
- When installed, the Yeti Paw, Kit provides additional flotation to the skid gear FWD of the aircraft's C of G, therefore increasing stability and decreasing the potential of going into slope landing condition.

## **Section 2 Installation & Removal Instructions**

### **Applicability**

The Yeti Paw, Kit (AAL-340-030-001) is applicable to all serial numbers, equipped with standard (low) landing gear only.

### **Weight & Balance**

<u>Part Number</u>	<u>Description</u>	<u>Weight</u>	<u>Long. Arm</u>	<u>Lat. Arm</u>
AAL-490-030-001	Yeti Paw, Kit †	12.15*	166.84	.000
		5.51 (Kg)	4.23 (m)	.00 (m)
AAL-490-030-001	Yeti Paw, Kit ‡	11.19*	166.58	.000
		5.07 (Kg)	4.23 (m)	.00 (m)

† Applicable to installations with Grippers (Item 11) and associated hardware

‡ Applicable to installations without Grippers (Item 11) and associated hardware


\* Total increase in weight to aircraft.

### **General Notes**

- All Installation Instructions shall be accomplished in accordance with (IAW) standard aircraft practices. Refer to the current revision of the FAA Advisory Circular AC 43.13-1 and AC 43.13-2 for details on standard aircraft practices.
- Torque fasteners IAW the tension type torque limits indicated in the current revision of the FAA Advisory Circular AC 43.13-1, Table 7-1 unless otherwise specified.
- All Dimensions are in imperial measures (inches/pounds).
- Refer to Section 2: Maintenance Manual Supplement for instructions on maintenance for the item(s) referenced within this section.
- Refer to Section 4: Illustrated Parts Breakdown for the part numbers of the item(s) referenced within this section.

### **Installation Notes**

 Typical item number for all like items in this view unless otherwise specified.

 Apply Threadlocker (Item 15) to threads IAW manufacturer's recommendations (prior to torquing fastener).

**Installation Instructions**

**NOTE:** LHS installation shown, RHS opposite.

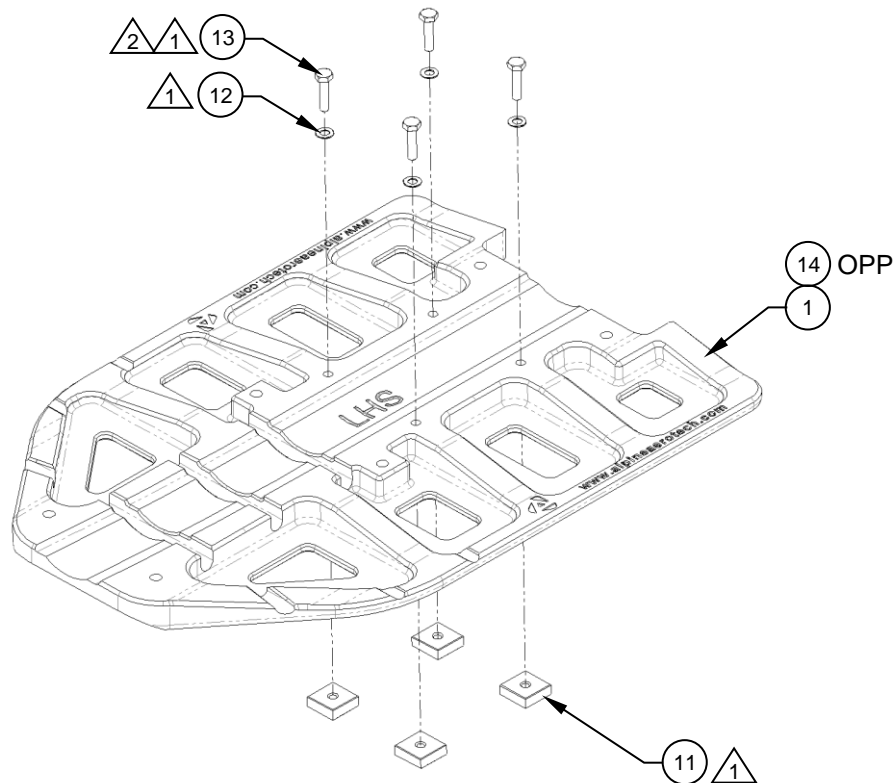
1. Install the Grippers (Item 11) and supplied hardware on the Yeti Paw, Detail (Item 1, 14 OPP) as shown. Ensure all serrated surfaces on the Grippers are facing down (serrations must be common to the ground). Ensure Threadlocker (Item 15) is applied (mandatory). Torque all Gripper fasteners IAW General Note 2. Reference Figure 1.

**NOTE:** Installation of Grippers (Item 11) and associated hardware is optional.

If Grippers are desired, all Grippers (8X) and associated hardware must be installed. Use applicable Weight & Balance data accordingly.

If Grippers are not desired, all Grippers (8X) and associated hardware must be removed. Use applicable Weight & Balance data accordingly.

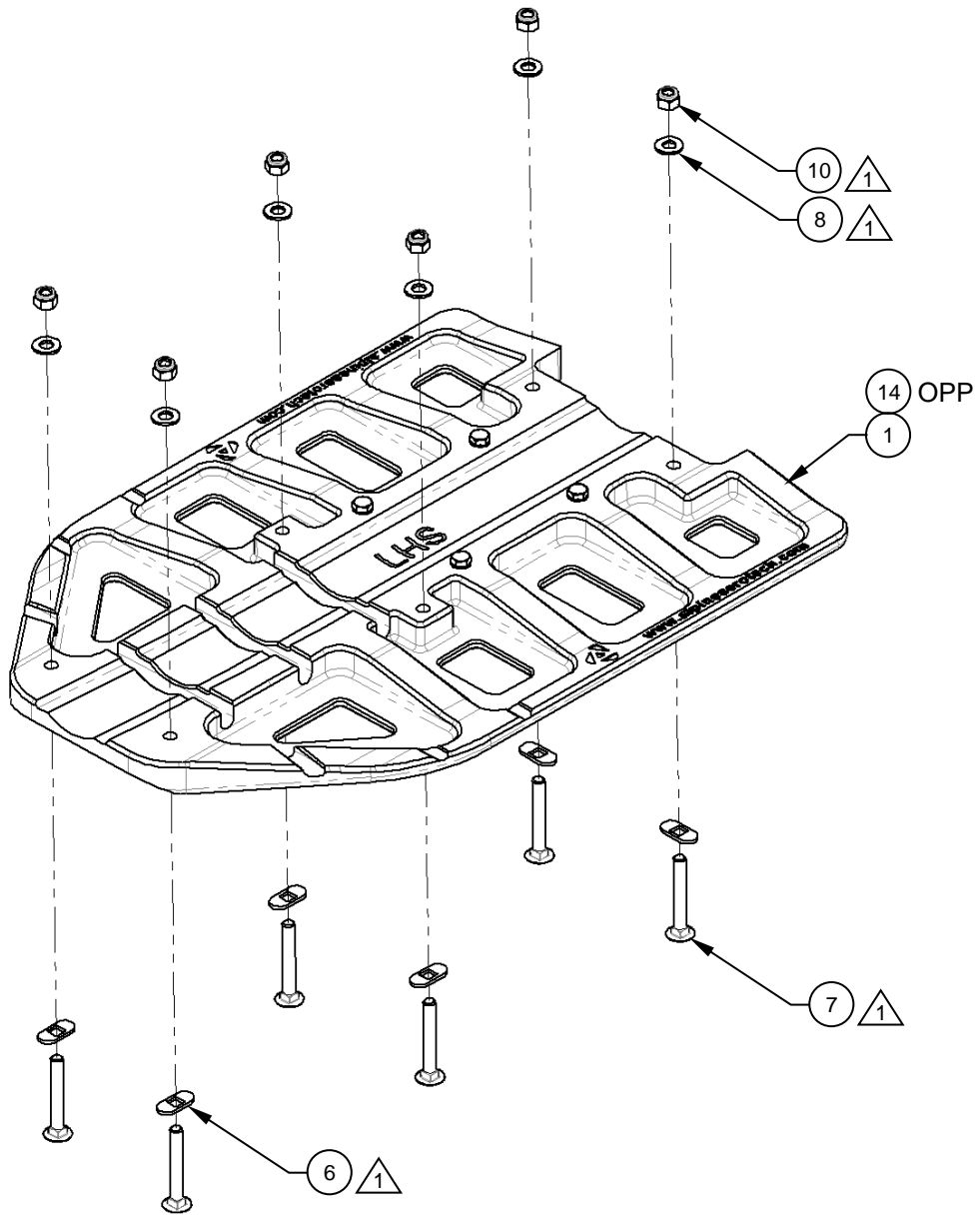
**CAUTION:** Ensure Threadlocker (Item 15) is sufficiently applied to all Gripper fasteners. Omitting threadlocker is not acceptable and will create a non-airworthy installation.



**Figure 1**  
Typical Gripper  
Installation

**Installation Instructions**

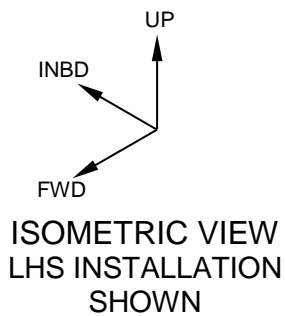
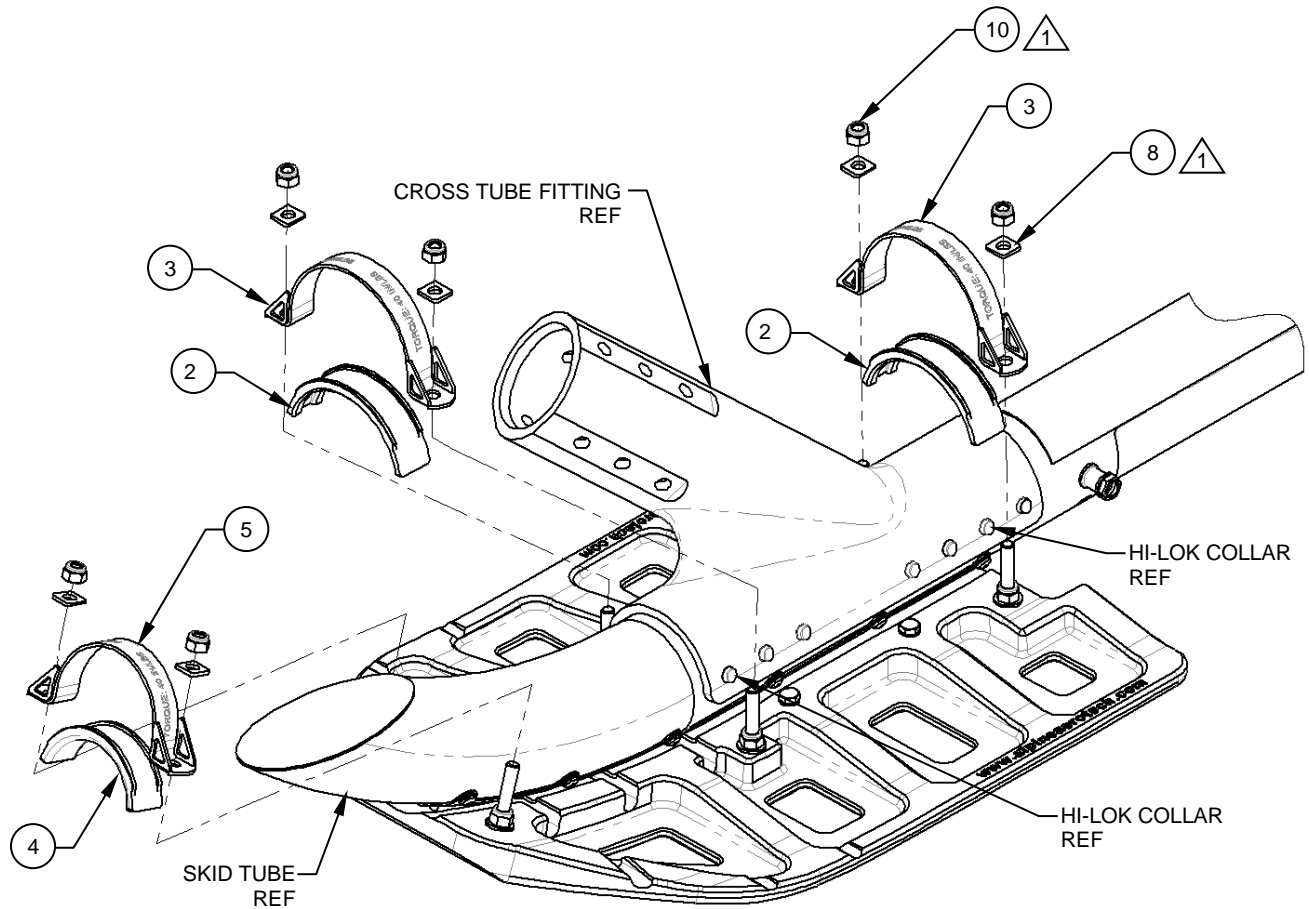
- Install the supplied hardware on the Yeti Paw, Detail (Item 1) as shown. Reference Figure 2.



**Figure 2**  
Typical Hardware  
Installation

**Installation Instructions** (cont.)

3. Raise the aircraft so the Yeti Paw, Detail (Item 1) can be slide under the skid tube. Reference Figure 3.



**Figure 3**  
LHS Shown  
RHS Opposite

**Installation Instructions** (cont.)

4. Once the Yeti Paw, Detail (Item 1, 14 OPP) is under the skid tube in its approximate location, place the Strap, Assys (Item 3 & 5) and their respective Cap, Details (Items 2 & 4) on their corresponding bolts. Reference Figure 3.

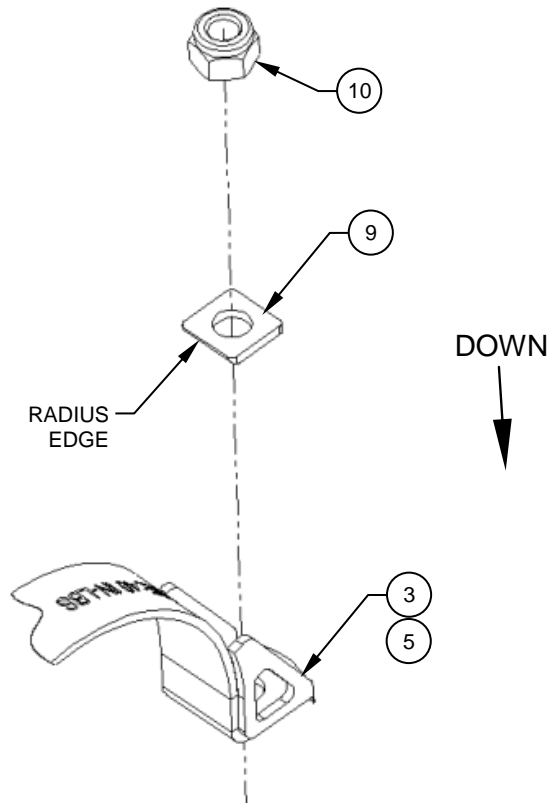
**NOTE:** Ensure the Cap, Detail (Item 2) is oriented on top of the forward Hi-Lok Collar common to the cross tube fitting.

**NOTE:** Ensure the Cap, Details (Item 2 & 4) are oriented properly on top of the skid tube and cross tube fitting.

5. Install the supplied Washer (Item 9) and Nut (Item 10) on each bolt. Reference Figure 3.

**NOTE:** Ensure the radius edge on the Washer (Item 9) is oriented down and towards the skid tube. Reference Figure 4.

**NOTE:** A “thin-wall” socket may be required to adequately engage the Nut (Item 10).



**Figure 4**

**CAUTION:** Do **NOT** apply full torque to the fasteners at this stage while the aircraft is raised off the ground. Only apply minimal torque to snug-up the Yeti Paw, Detail (Item 1, 14 OPP).

6. Lower the aircraft onto the Yeti Paw, Details (Item 1, 14 OPP) and torque the fasteners equally to 40 in/lbs. Reference Figure 3.

**CAUTION:** Before applying torque, ensure the Cap, Detail (Item 2) is oriented over top of the forward Hi-Lok Collar common to the cross tube fitting. Reference Step 4.

7. Installation complete.
8. Perform a General Inspection of all items to ensure proper installation.
9. Update the aircraft logbook for the installation of the Yeti Paw, Kit.



### **Removal Instructions**

1. As there are no special considerations or additional steps to remove the Yeti Paw, Kit for either inspections, or mission configuration, the removal of the Yeti Paw, Kit can be considered the opposite of installation.
2. Perform a General Inspection of all items to ensure proper removal.
3. Update the aircraft logbook for the removal of the Yeti Paw, Kit.