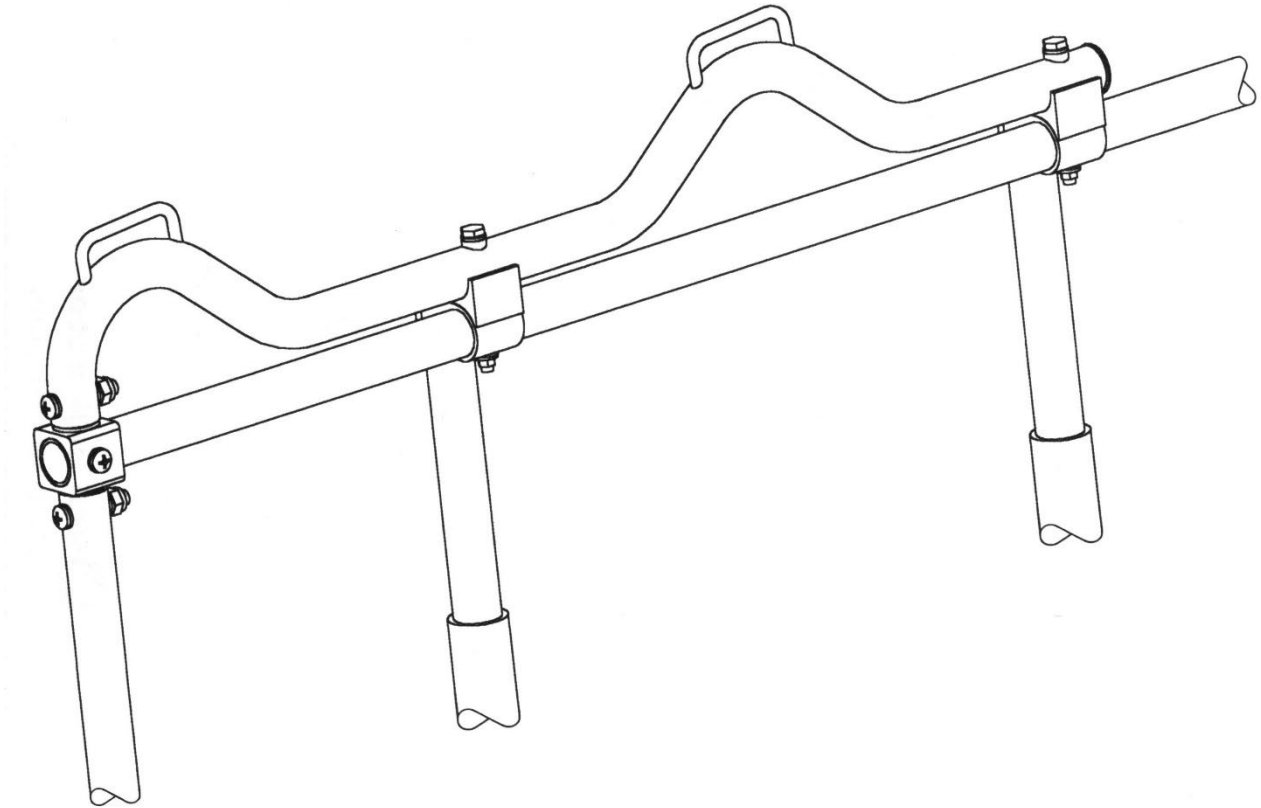




ALPINE AEROTECH LTD.



**SHOULDER HARNESS KIT
PARTS LIST**

MODELS: BELL 212/412

DASH NO.	PART NO.	DESCRIPTION	QUANTITY PER KIT																	
			001	003	004		011	012	015	016										
001	AAL-370-711-001	Shoulder Harness Kit ("Complete" Kit)																		
003	AAL-370-711-003	Shoulder Harness Kit ("Front 9" Kit)																		
004	AAL-370-711-004	Shoulder Harness Kit ("Back 9" Kit)																		
011	AAL-370-711-011	Shoulder Harness Kit, 2 Person Outbd Facing Seat, LHS	1		1															
012	AAL-370-711-012	Shoulder Harness Kit, 2 Person Outbd Facing Seat, RHS	1		1															
015	AAL-370-711-015	Shoulder Harness Kit, 5 Person FWD Facing Seat	1	1	1															
016	AAL-370-711-016	Shoulder Harness Kit, 4 Person AFT Facing Seat	1	1																
031	AAL-370-711-031	2 Person Seat, FWD Bracket Assembly, LHS						1												
032	AAL-370-711-032	2 Person Seat, FWD Bracket Assembly, RHS							1											
035	AAL-370-711-035	2 Person Seat, AFT Bracket Assembly, LHS						1												
036	AAL-370-711-036	2 Person Seat, AFT Bracket Assembly, RHS							1											
039	AAL-370-711-039	5 Person Seat, Pylon Bracket Assembly, LHS										1								
040	AAL-370-711-040	5 Person Seat, Pylon Bracket Assembly, RHS										1								
041	AAL-370-711-041	5 Person Seat, Stanchion Post Collar Assembly											2							
042	AAL-370-711-042	4 Person Seat, Support Tube Assembly												2						
044	AAL-370-711-044	Belt Guide Frame/Padding Assembly						2	2	3										
109	AAL-370-711-109	Guide/Reel Spacer						4	4	6										
110	AAL-370-711-110	FWD Bracket Spacer										4								
111	AAL-370-711-111	FWD Bracket Spacer										2								
112	AAL-370-711-112	Doubler										2								
117	AAL-370-711-117	Support Tube Connector													2					
118	AAL-370-711-118	Support Tube Saddle													4					
119	AAL-370-711-119	OUTBD Inertia Reel Bracket													2					
120	AAL-370-711-120	INBD Inertia Reel Bracket													2					
123	AAL-370-711-123	Guide Spacer							2	2	3									
124	AAL-370-711-124	Guide Roller							2	2	3									
125	MS24694-S83	Screw							2	2	3									
126	D22K1-02	Nut							2	2	3									
127	NAS1149D0316J	Washer							2	2	3									
128	3065-2030312251	Lap Belt, Connector Half							2	2	5									
128	3065-2090312251	<i>Lap Belt, Connector Half (alternate item, see note)</i>							x	x	x									
129	3065-2010312251	Lap Belt, Buckle Half							2	2	5									
130	MS24665-151	Cotter Pin							4	4	10	8								

DASH	PART NO.	DESCRIPTION	QUANTITY PER KIT											
			001	003	004		011	012	015	016				
NO.														
131	3065-2050319800	Inertia Reel Short					2	2	5					
131	3065-2110319800	<i>Inertia Reel, Short (alternate item, see note)</i>					x	x	x					
132	3065-2050419800	Inertia Reel, Long									4			
132	3065-2110419800	<i>Inertia Reel, Long (alternate item, see note)</i>									x			
134	AAL-370-711-134	Plastic Belt Guide					2	2	3					
135	MS24694-S56	Screw					1	1						
136	MS24694-S54	Screw					7	7						
137	NAS623-4-6	Screw					2	2	3					
138	NAS1149F0463P	Washer					4	4	10	20				
139	NAS75-4-005	Spacer					2	2	3					
140	MS27039-4-10	Screw					2	2	5	4				
141	AN5-11A	Bolt								4				
142	NAS1149F0563P	Washer								4				
143	AN3-11A	Bolt								2				
144	NAS1149F0332P	Washer								4				
145	NAS9926-3L	Nut							2					
146	AN4-27A	Bolt								2	4			
147	NAS9926-4L	Nut								2	4			
148	MS27039-4-23	Screw									4			
149	D22K1-048	Nut										10		
150	MS27039-4-27	Screw										2		
151	NAS1149F0432P	Washer								2	8			
152	NAS9926-5L	Nut									4			
153	NAS1149F0532P	Washer									4			
154	SS-48155-K2215	Button Plug									2			
156	3065-2030412251	Lap Belt, Connector Half									4			
156	3065-2090412251	<i>Lap Belt, Connector Half (alternate item, see note)</i>										x		
157	3065-2010412251	Lap Belt, Buckle Half									4			
-	23977	Loctite 243 Threadlocker					1	1	1	1				
-	40104	Loctite 401 Prism Adhesive					1	1	1	1				
-	Dykem Cross Check	Anti-Tamper/Witness Paint					1	1	1	1				

Note: Use alternate items to configure shoulder harness kit for detachable inertia reel (shoulder) strap.