

INDUCTION BAFFLE ACCESS PANEL, KIT INSTALLATION INSTRUCTIONS

MODELS: BELL 212, 412, 412CF & 412EP

Read all of the installation instructions thoroughly
prior to the installation of this product



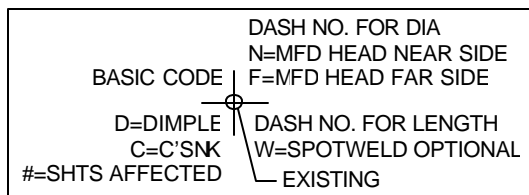
Weight & Balance

<u>Part Number</u>	<u>Description</u>	<u>Weight</u>	<u>Long. Arm</u>	<u>Lat. Arm</u>
AAL-061-211-001	Induc. Baf. Access Panel, Kit, LHS	0.00* 0.00 (Kg)	N/A 0.00 (m)	N/A 0.00 (m) BL
AAL-061-211-002	Induc. Baf. Access Panel, Kit, RHS	0.00* 0.00 (Kg)	N/A 0.00 (m)	N/A 0.00 (m) BL

* Total increase in weight to aircraft.

General Notes

- All Installation Instructions shall be accomplished in accordance with (IAW) standard aircraft practices. Refer to the current revision of the FAA manuals AC 43.13-1B and AC 43.13-2A for details on standard aircraft practices.
- All Hardware shall be torqued to standard aircraft specifications. Refer to the current revision of the FAA manuals AC 43.13-1B and AC 43.13-2A for details on standard torque specifications.
- All Dimensions are in imperial units (inches & pounds).
- Refer to the current revision of the Induction Baffle Access Panel, Kit Illustrated Parts Breakdown for the part numbers of the item(s) referenced within this document.
- Refer to the current revision of the Induction Baffle Access Panel, Kit Maintenance Manual Supplement for instructions on continuing airworthiness for the item(s) referenced within this document.
- Alpine Aerotech Ltd. shall make any subsequent revisions of this document available upon request.
- All rivet callouts and codes are per NAS523.



BASIC CODES

BASIC CODES



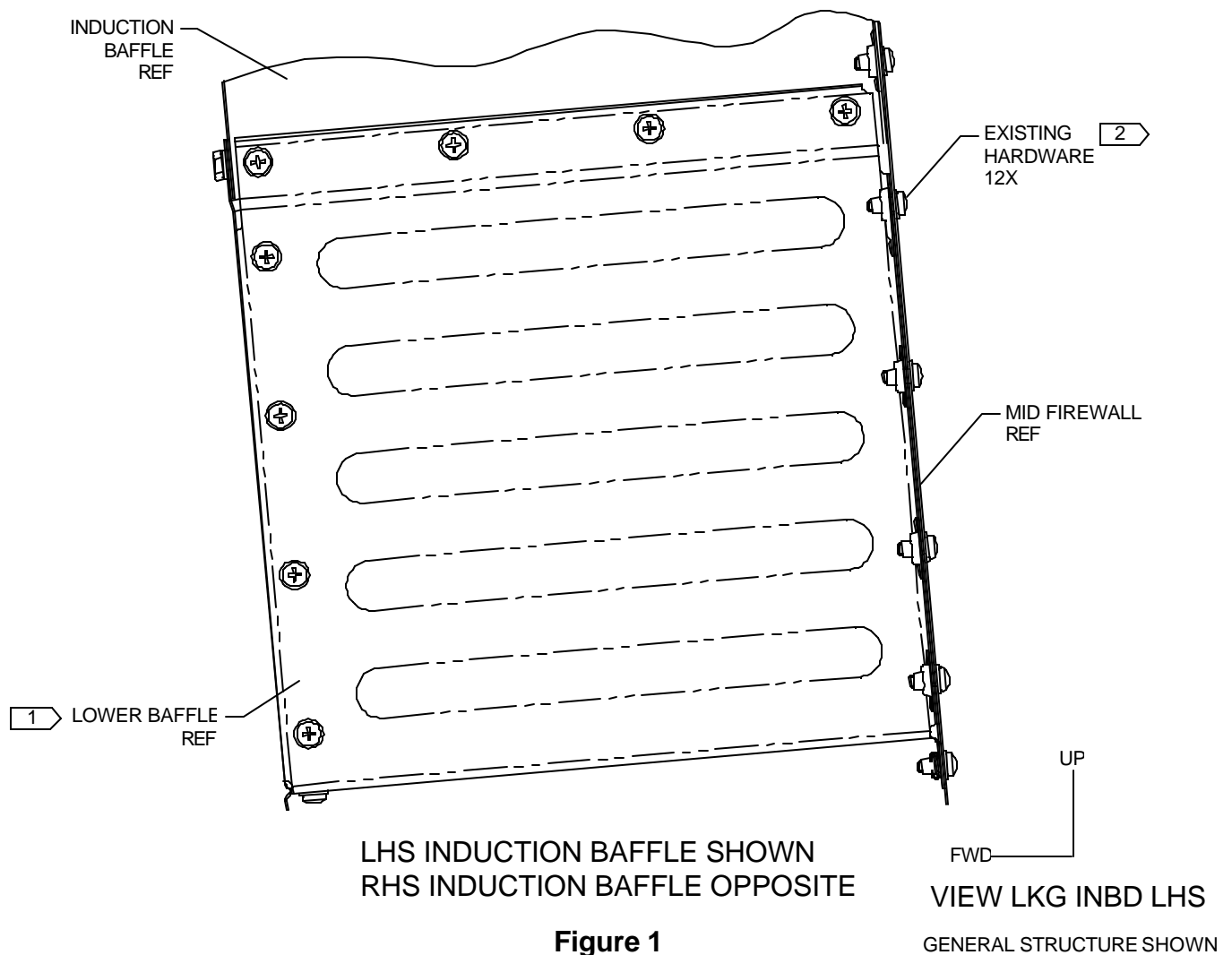
Installation Notes

- △1 Cut off Lower Baffle along bend radius.
- △2 Remove nutplate and flatten dimpled rivet holes if required for installation.
- ▢1 Remove and discard existing aircraft item. Existing aircraft item shall not be used as an alternate.
- ▢2 Reuse existing aircraft item.



Installation Instructions

1. All Installation Instructions within this document apply to a LHS installation only. RHS installations are opposite.
2. Gain access to the Induction Baffles.
3. Temporarily remove the existing hardware common to the Lower Baffle as shown. Reference Figure 1 and Pennant Note 2.



4. Bend the Lower Baffle outboard to gain access for cutting. Reference Figure 2.

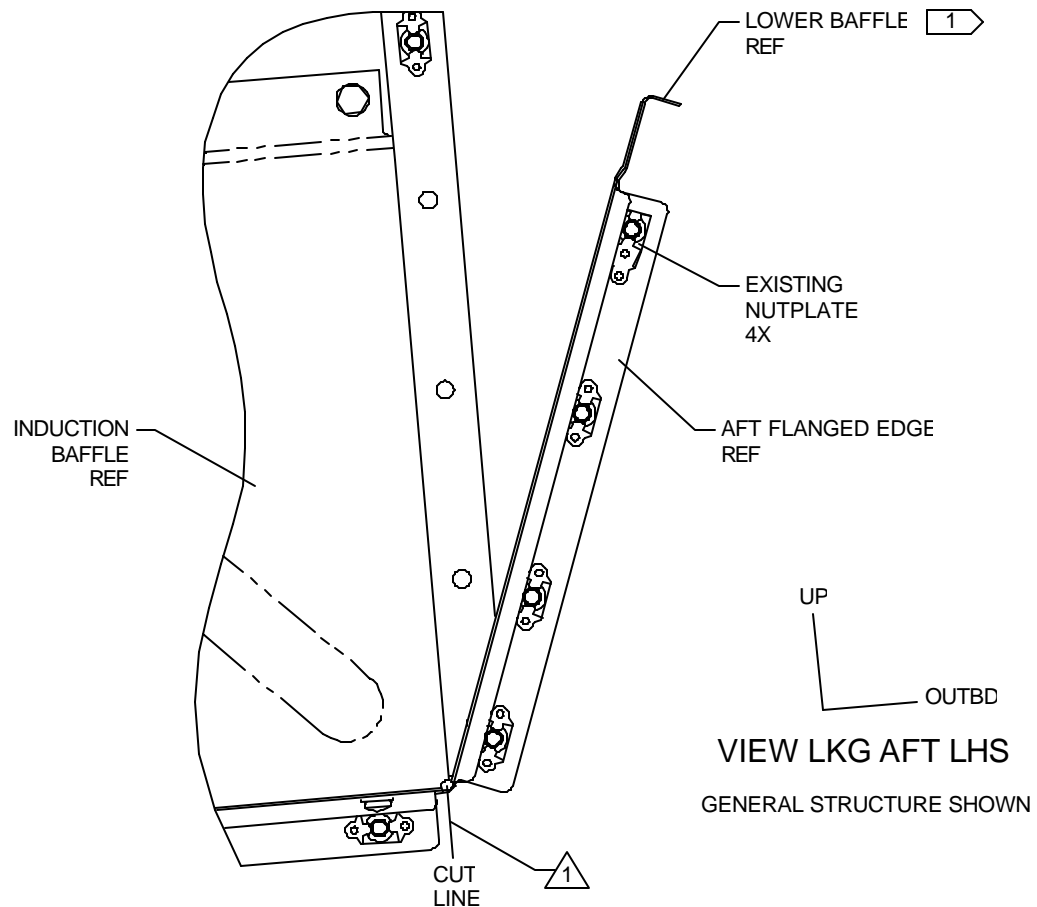


Installation Instructions

5. Cut the Lower Baffle along the bend radius as shown. Discard the cut off Lower Baffle. Reference Figure 2 and Pennant Note 1.

CAUTION: Do NOT allow debris to enter the Induction Baffles while cutting.

6. If the cut off Lower Baffle does not possess nutplates on the AFT Flanged Edge, proceed with Steps 7 & 8 to modify the Access Panel Frame, Assy, LHS (Item 1) and Access Panel Frame, Assy, RHS (Item 2). If the cut off Lower Baffle does possess nutplates on the AFT Flanged Edge, proceed to Step 9. Reference Figure 2.



LHS INDUCTION BAFFLE SHOWN
RHS INDUCTION BAFFLE OPPOSITE

Figure 2



Installation Instructions

- Remove and discard the Nutplates on the AFT Flanged Edge of the Access Panel Frame, Assy, LHS (Item 1) and Access Panel Frame, Assy, RHS (Item 2). Reference Figure 3 and Step 6.
- Flatten the dimpled rivet holes for retaining the Nutplates to the AFT Flanged Edge of the Access Panel Frame, Assy, LHS (Item 1) and Access Panel Frame, Assy, RHS (Item 2). Reference Figure 3 and Step 6.

CAUTION: Do NOT damage the Gasket while flattening the dimpled rivet holes.

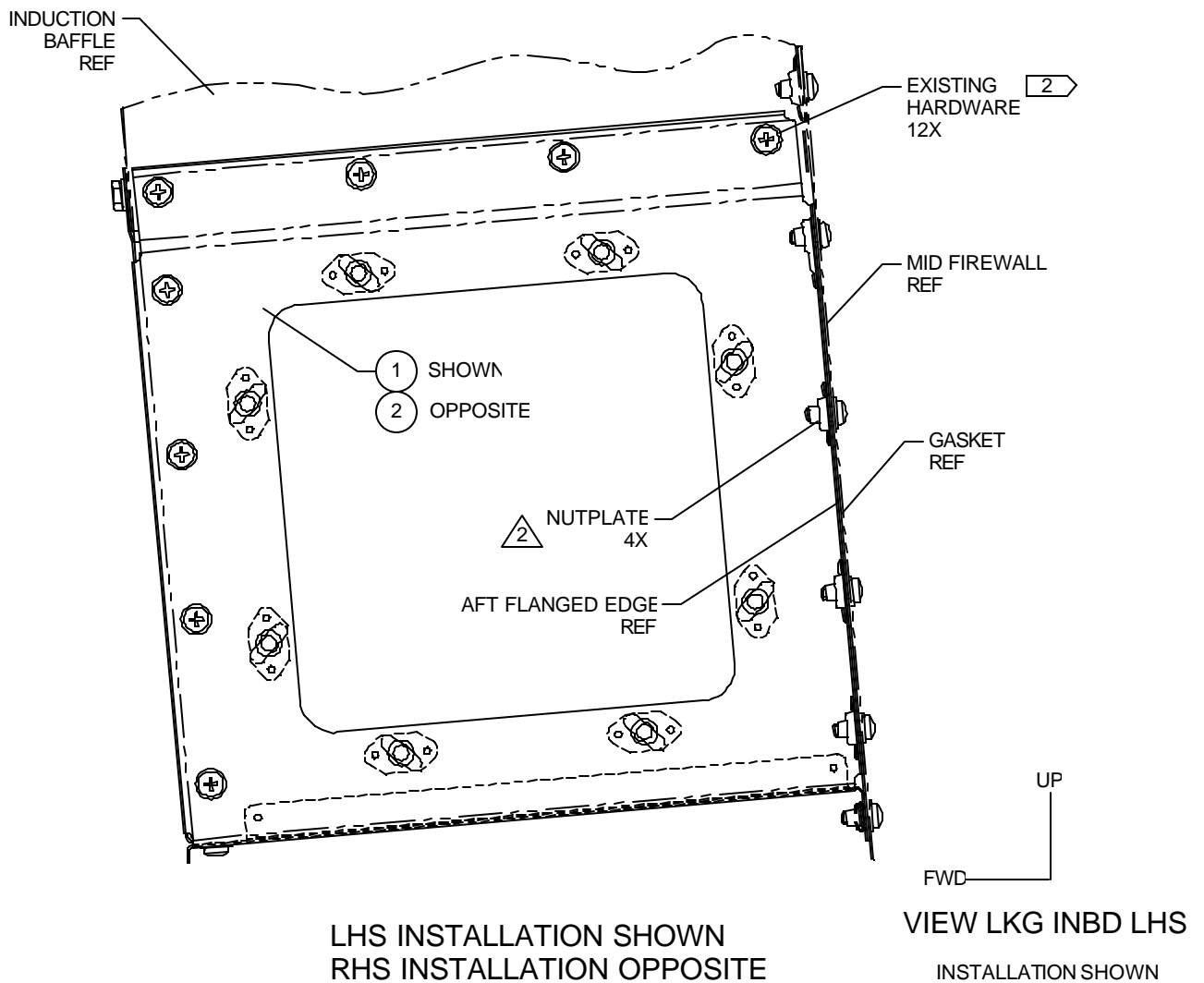


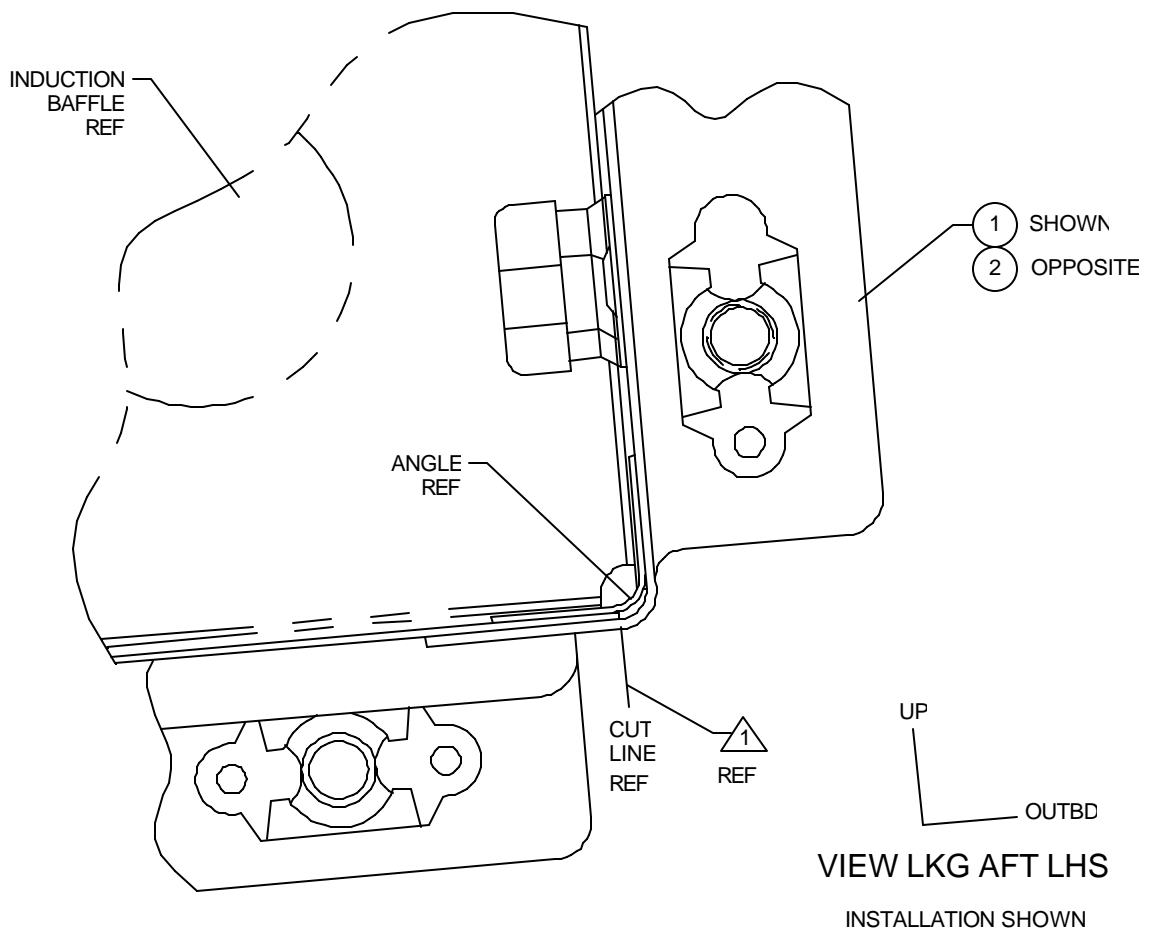
Figure 3



Installation Instructions

- Install the Access Panel Frame, Assy, LHS (Item 1) on the Induction Baffle using the existing hardware as shown. Reference Figures 3 & 4.

NOTE: Ensure the Angle, Detail is properly engaged with the lower edge of the Induction Baffle.



LHS INSTALLATION SHOWN
RHS INSTALLATION OPPOSITE

Figure 4



Installation Instructions

10. Install the Access Panel Door, Assy (Item 3) on the Access Panel Frame, Assy, LHS (Item 1) and Access Panel Frame, Assy, RHS (Item 2) as shown. Reference Figure 5.

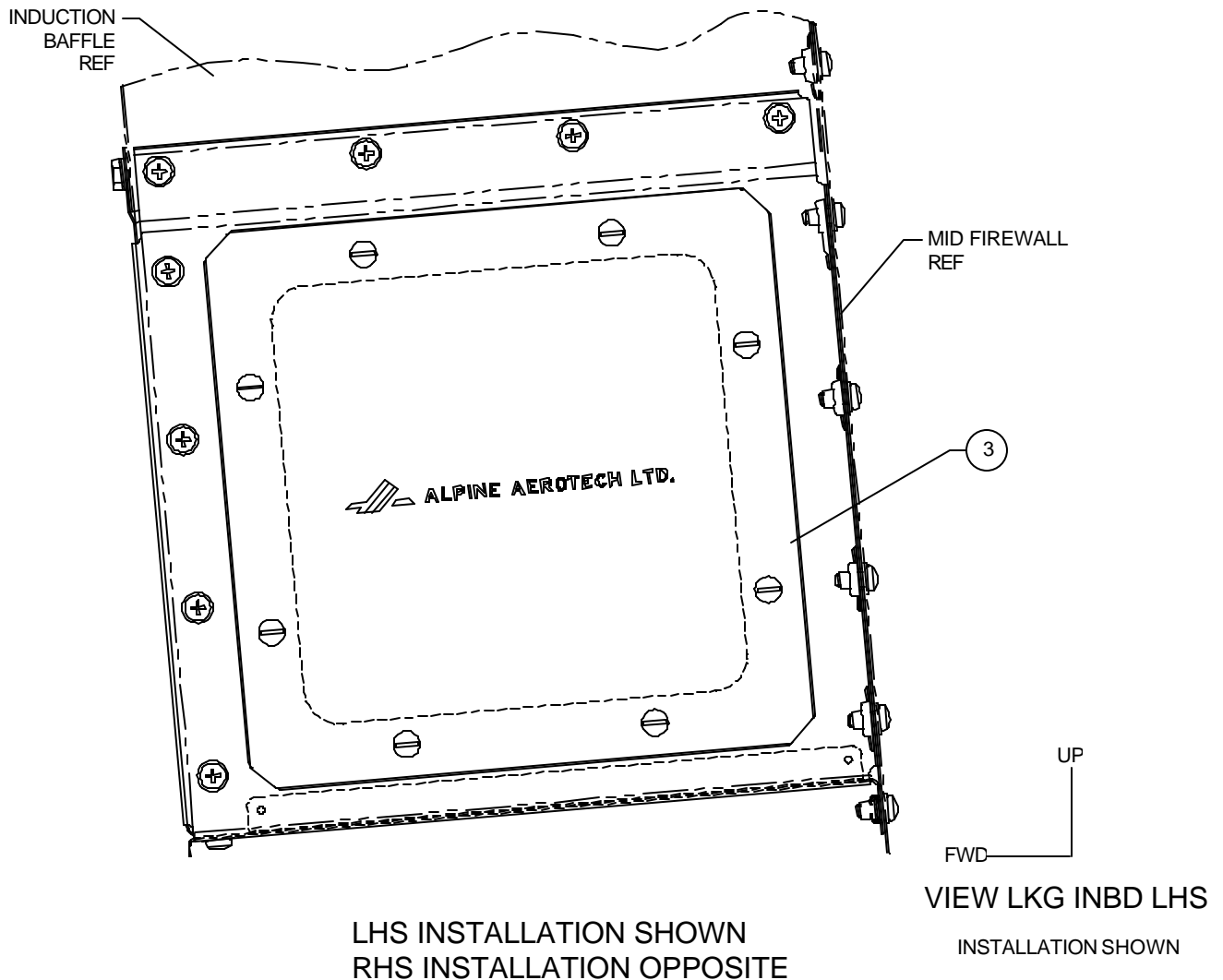


Figure 5

11. Installation complete.
12. Perform a General Inspection of all items to ensure proper installation.
13. Update the aircraft logbook for the installation of the Induction Baffle Access Panel, Kits.