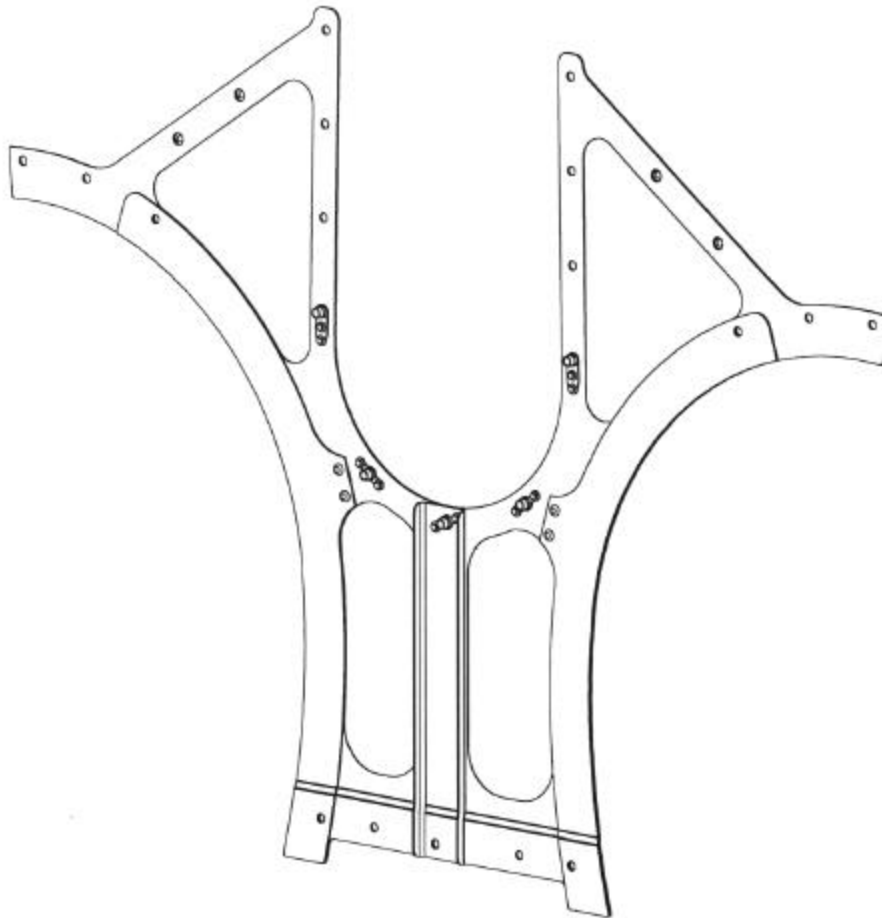




ALPINE AEROTECH LTD.



FIREWALL WEB INSTALLATION INSTRUCTIONS B212/B412

Read all of the instructions thoroughly prior to the installation of this product.



ALPINE AEROTECH LTD.

INSPECTION

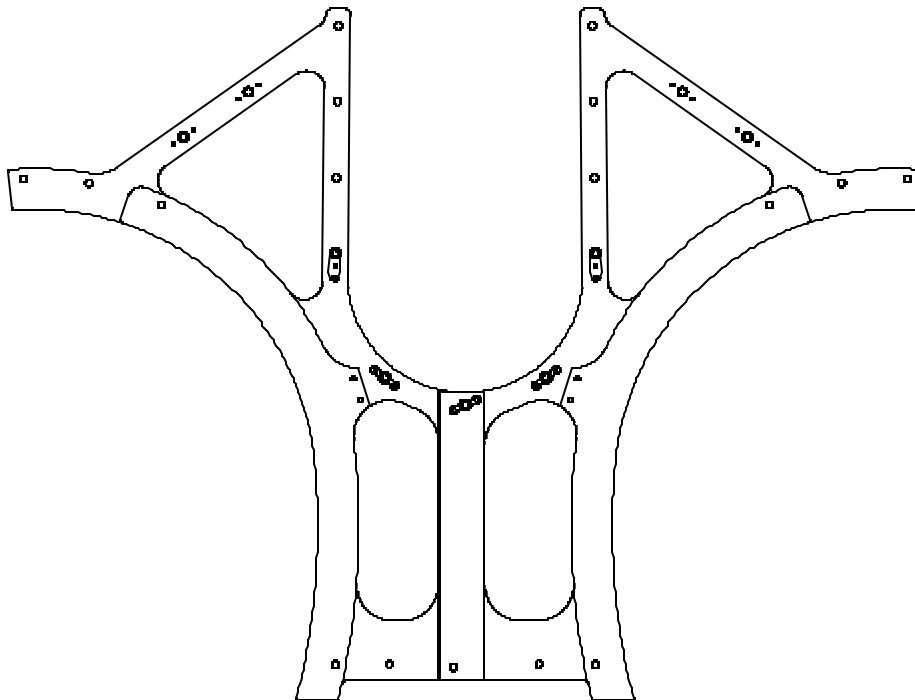
Refer to the Daily Inspection – Part A or 25 hour/15 day – Part B of the Engine Firewalls, paragraph 1, in the aircraft Maintenance Manual.

WEIGHT

Negligible

INSTALLATION

- 1) Reference Figure 1.
- 2) The method of fastening the Alpine Aerotech Firewall Web to firewall is unchanged from the OEM web.
- 3) Replace the OEM web (P/N 212-061-902-013) with the Alpine Aerotech Firewall Web (P/N AAL-061-903-001).
- 4) Install existing fasteners from OEM web and torque to standard spec.



View looking FWD
FIGURE 1