

FIREWALL STIFFENERS & SEALS INSTALLATION INSTRUCTIONS

MODELS: BELL 212, 412, 412CF & 412EP

Read all of the installation instructions thoroughly
prior to the installation of this product



Weight & Balance

<u>Part Number</u>	<u>Description</u>	<u>Weight</u>	<u>Long. Arm</u>	<u>Lat. Arm</u>
AAL-061-902-007	Stiffener, Assy, Outbd, LHS	0.00* 0.00 (Kg)	N/A 0.00 (m)	N/A 0.00 (m) BL
AAL-061-902-008	Stiffener, Assy, Outbd, RHS	0.00* 0.00 (Kg)	N/A 0.00 (m)	N/A 0.00 (m) BL
AAL-061-902-009	Stiffener, Assy, Lower, LHS	0.00* 0.00 (Kg)	N/A 0.00 (m)	N/A 0.00 (m) BL
AAL-061-902-010	Stiffener, Assy, Lower, RHS	0.00* 0.00 (Kg)	N/A 0.00 (m)	N/A 0.00 (m) BL
AAL-061-902-113	Seal, Assy, Inbd, LHS	0.00* 0.00 (Kg)	N/A 0.00 (m)	N/A 0.00 (m) BL
AAL-061-902-114	Seal, Assy, Inbd, RHS	0.00* 0.00 (Kg)	N/A 0.00 (m)	N/A 0.00 (m) BL

* Total increase in weight to aircraft.

General Notes

1. All Installation Instructions shall be accomplished in accordance with (IAW) standard aircraft practices. Refer to the current revision of the FAA manuals AC 43.13-1B and AC 43.13-2A for details on standard aircraft practices.
2. All Hardware shall be torqued to standard aircraft specifications. Refer to the current revision of the FAA manuals AC 43.13-1B and AC 43.13-2A for details on standard torque specifications.
3. All Dimensions are in imperial units (inches & pounds).
4. Refer to the current revision of the Firewall Stiffeners & Seals Illustrated Parts Breakdown for the part numbers of the item(s) referenced within this document.
5. Refer to the current revision of the Firewall Stiffeners & Seals Maintenance Manual Supplement for instructions on continuing airworthiness for the item(s) referenced within this document.



General Notes

- 6. Alpine Aerotech Ltd. shall make any subsequent revisions of this document available upon request.
- 7. All rivet callouts and codes are per NAS523.

<p style="text-align: center;">DASH NO. FOR DIA N=MFD HEAD NEAR SIDE F=MFD HEAD FAR SIDE</p> <p style="text-align: center;">BASIC CODE</p> <p style="text-align: center;">D=DIMPLE C=C'SNK #=SHTS AFFECTED</p> <p style="text-align: center;">DASH NO. FOR LENGTH W=SPOTWELD OPTIONAL — EXISTING</p>	<table border="1" style="width: 100%; border-collapse: collapse;"> <tr><th style="text-align: center;">BASIC CODES</th></tr> <tr><td> </td></tr> <tr><td> </td></tr> <tr><td> </td></tr> <tr><td> </td></tr> <tr><td> </td></tr> <tr><td> </td></tr> </table>	BASIC CODES							<table border="1" style="width: 100%; border-collapse: collapse;"> <tr><th style="text-align: center;">BASIC CODES</th></tr> <tr><td> </td></tr> <tr><td> </td></tr> <tr><td> </td></tr> <tr><td> </td></tr> <tr><td> </td></tr> <tr><td> </td></tr> </table>	BASIC CODES						
BASIC CODES																
BASIC CODES																

- 8. Individual existing stiffeners and seals may be replaced on an, as needed basis.

Installation Notes

- 1 ➤ Remove and discard existing aircraft item. Existing aircraft item shall not be used as an alternate.
- 2 ➤ Reuse existing aircraft item.



Installation Instructions

1. All Installation Instructions within this document apply to a LHS installation only. RHS installations are opposite.
2. Gain access to the AFT Firewall.
3. Temporarily remove the existing hardware common to the existing Stiffeners & Seals as shown. Reference Figure 1 and Pennant Note 2.
4. Remove and discard the existing individual Stiffeners & Seals, as required. Reference Figure 1 and Pennant Note 1.

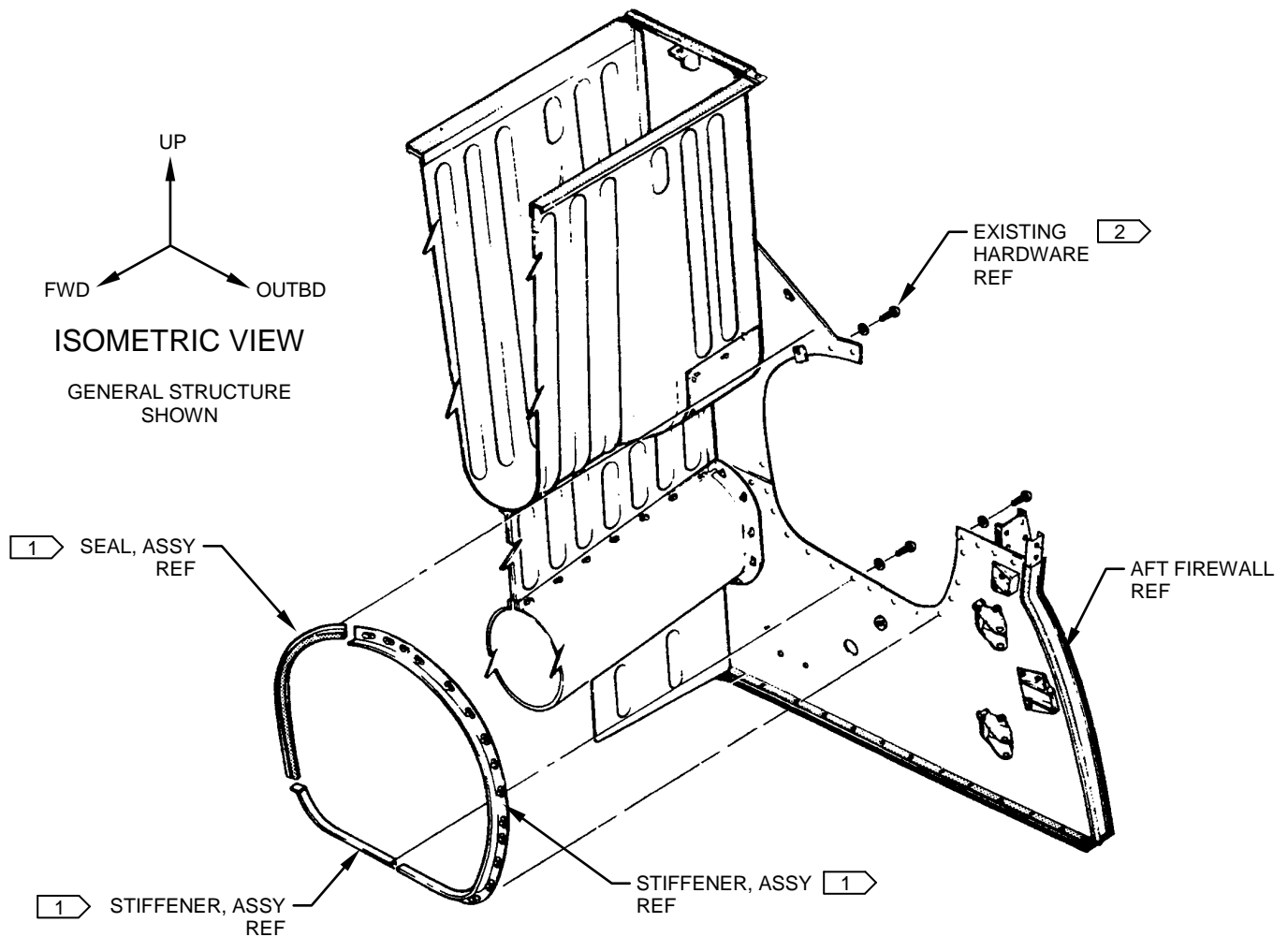




Figure 1

Installation Instructions

5. Prepare the AFT Firewall by removing any foreign material, dirt, etc. and wipe the mating surfaces clean with methyl ethyl ketone (MEK). Reference Figure 1.
6. Install the Stiffener, Assy, Outbd, LHS (Item 1), Stiffener, Assy, Lower, LHS (Item 3) and Seal, Assy, Inbd, LHS (Item 5) on the AFT Firewall using the existing hardware as shown. Reference Figure 2 and Pennant Note 2.

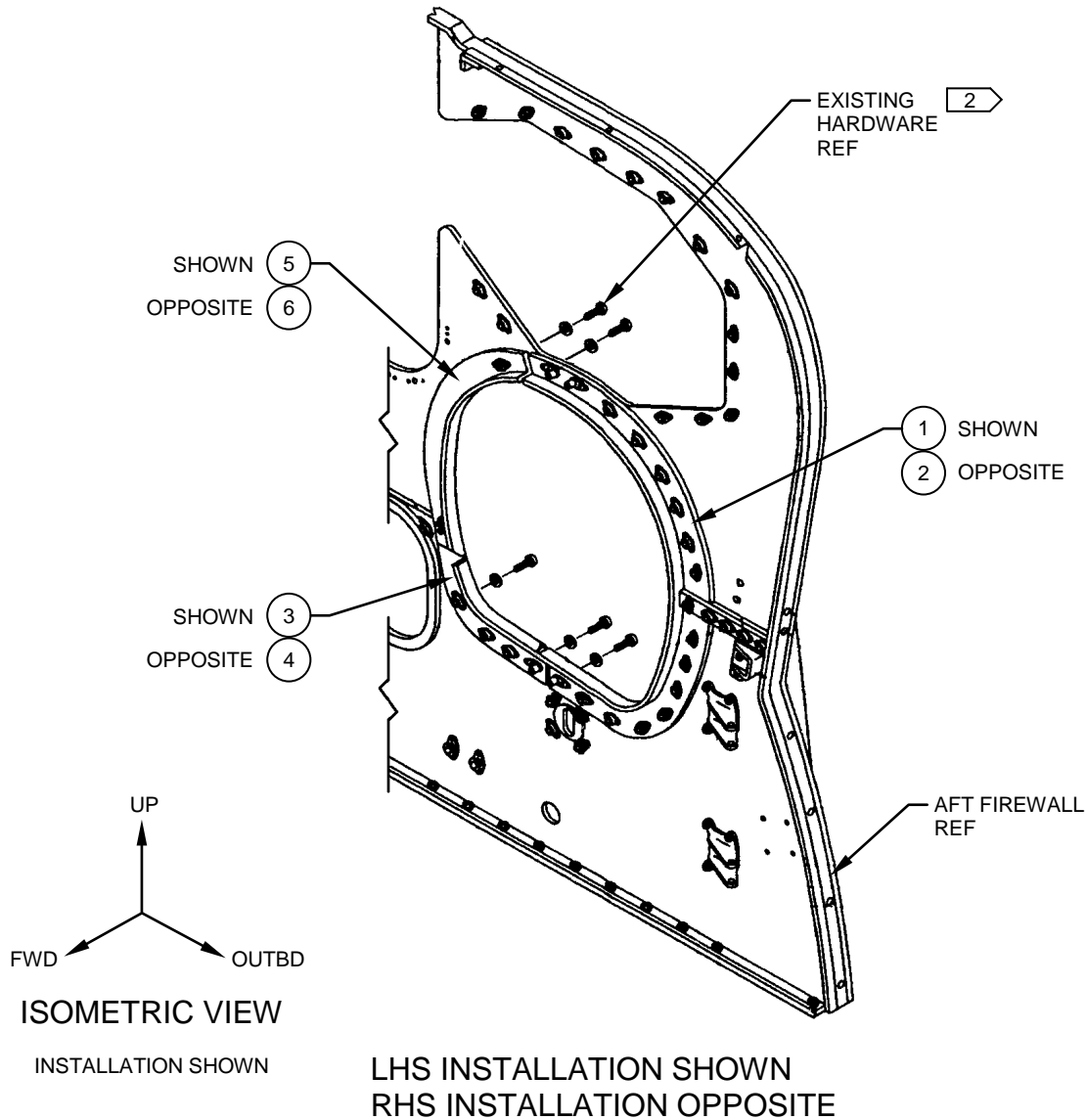




Figure 2

Installation Instructions

7. Installation complete.
8. Perform a General Inspection of all items to ensure proper installation.
9. Update the aircraft logbook for the installation of the Stiffener, Assy, Outbd, LHS (Item 1), Stiffener, Assy, Lower, LHS (Item 3) and Seal, Assy, Inbd, LHS (Item 5).