

FIREWALL COVER INSTALLATION INSTRUCTIONS

MODELS: BELL 212 & 412

Read all of the installation instructions thoroughly
prior to the installation of this product



Weight & Balance

<u>Part Number</u>	<u>Description</u>	<u>Weight</u>	<u>Long. Arm</u>	<u>Lat. Arm</u>
AAL-237-011-001	Cover, Assy	0.43*	162.14	0.00
		0.20 (Kg)	4.12 (m)	0.00 (m)

* Total increase in weight to aircraft.

General Notes

1. All Installation Instructions shall be accomplished in accordance with (IAW) standard aircraft practices. Refer to the current revision of the FAA manuals AC 43.13-1B and AC 43.13-2A for details on standard aircraft practices.
2. All Fasteners shall be torqued to standard aircraft specifications. Refer to the current revision of the FAA manuals AC 43.13-1B and AC 43.13-2A for details on standard torque specifications.
3. All Dimensions are in imperial measures (inches/pounds).
4. Refer to the current revision of the Firewall Cover Illustrated Parts Breakdown (AAL-237-015-201) for the part numbers of the item(s) referenced within this document.
5. Refer to the current revision of the Firewall Cover Maintenance Manual Supplement (AAL-237-015-101) for instructions on continuing airworthiness for the item(s) referenced within this document.
6. If changes to this document are required, Alpine Aerotech Ltd. shall revise all pages and reissue the entire document.
7. Alpine Aerotech Ltd. shall make any subsequent revisions of this document available upon request.

Installation Notes

- ① Hole omitted in Cover, Assy (Item 1), do not backdrill.
- ① Remove and discard existing aircraft item. Existing aircraft item shall not be used as an alternate.
- ② Reuse existing aircraft item.



Installation Instructions

1. Gain access to the existing Cover.
2. Temporarily remove the existing hardware common to the existing Cover. Reference Figures 1 & 2 and Step 5.

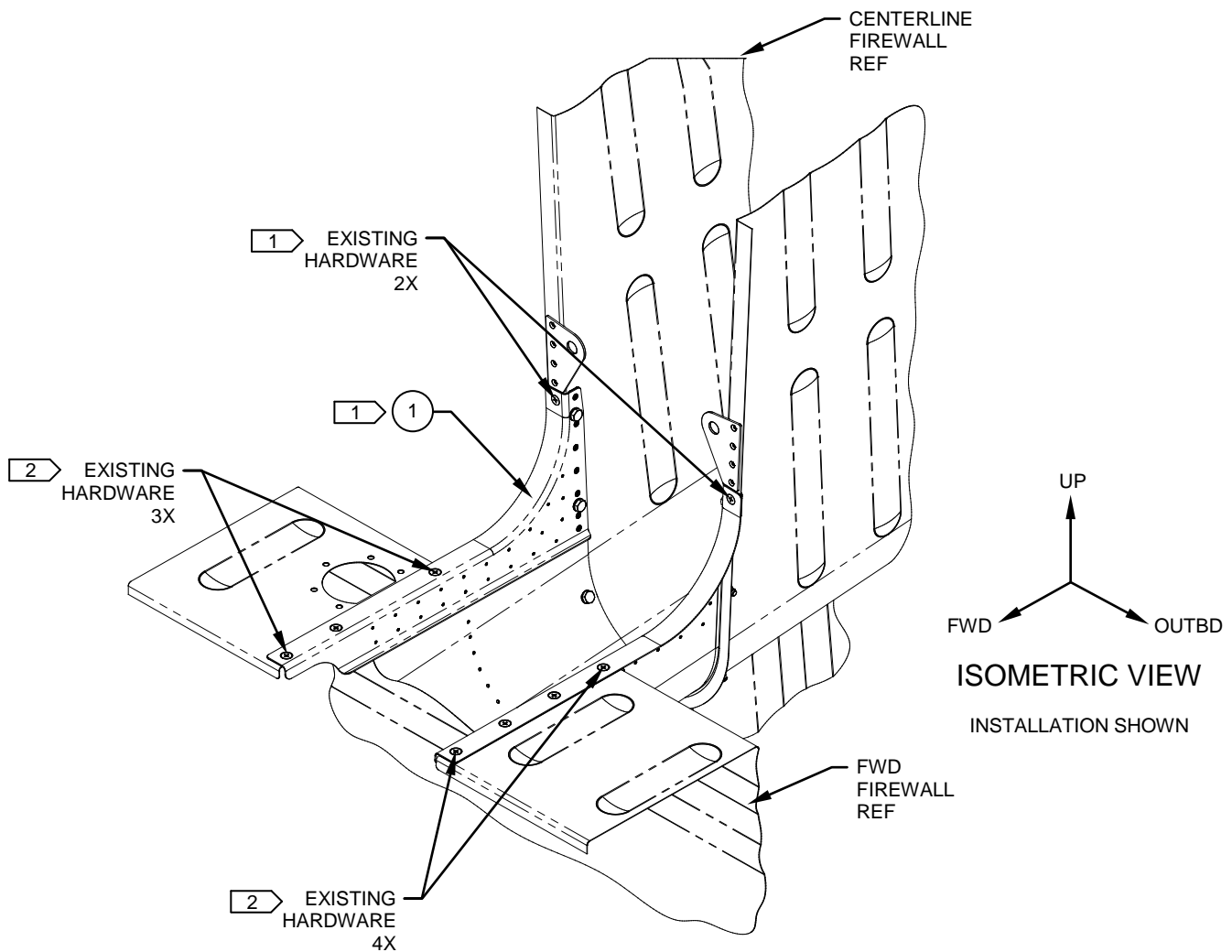


Figure 1

3. Remove and discard the existing Cover. Reference Figure 1 and Pennant Note 1.



Installation Instructions

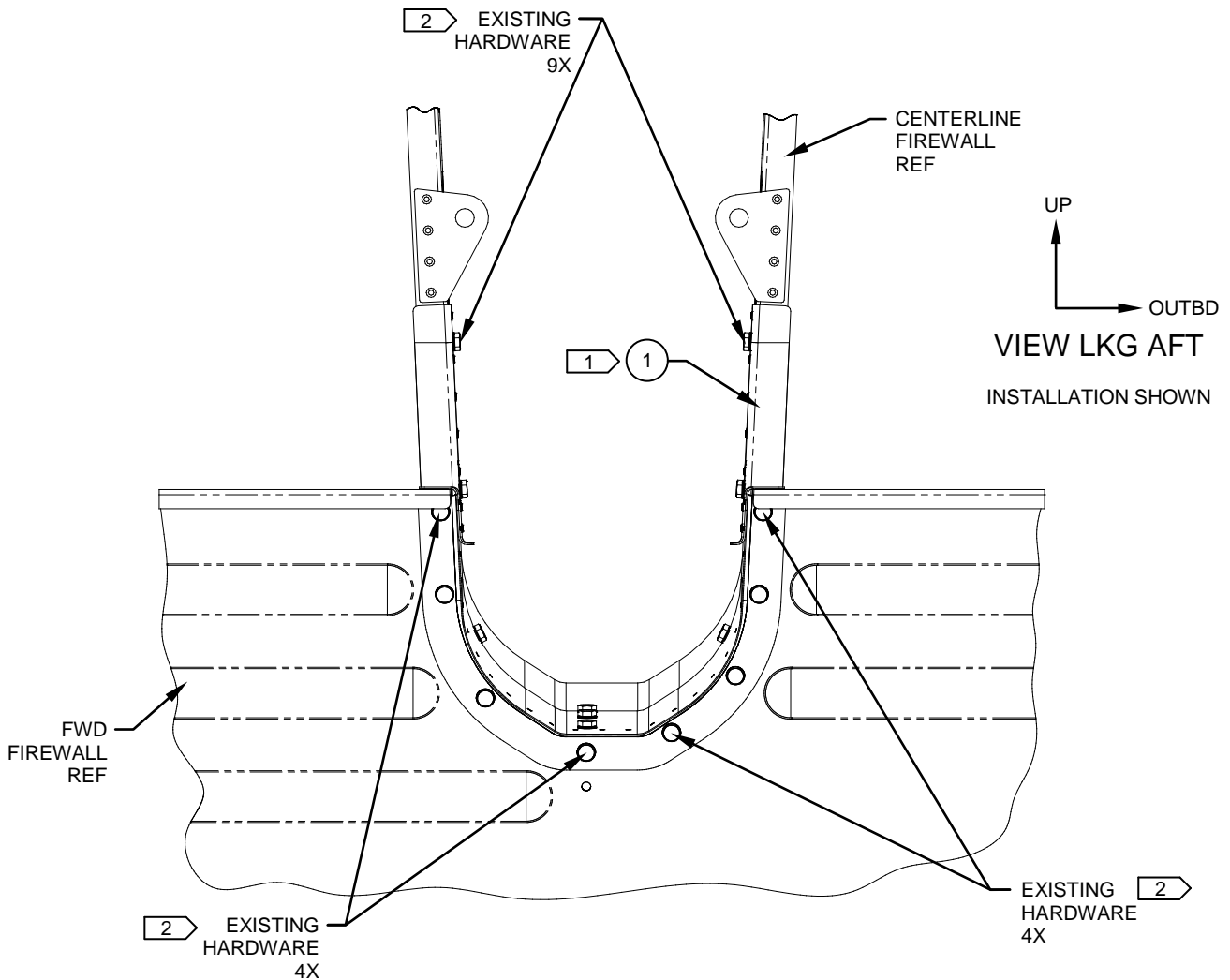


Figure 2

4. Prepare the Forward/Centerline Firewalls by removing any residual gasket material, dirt, etc. and wipe the mating surfaces clean. Reference Figure 1.



Installation Instructions

5. Install the Cover, Assy (Item 1) using the existing hardware except as shown. Reference Figures 2 & 3 and Flag Note 1.

NOTE: Do not backdrill Cover, Assy (Item 1).

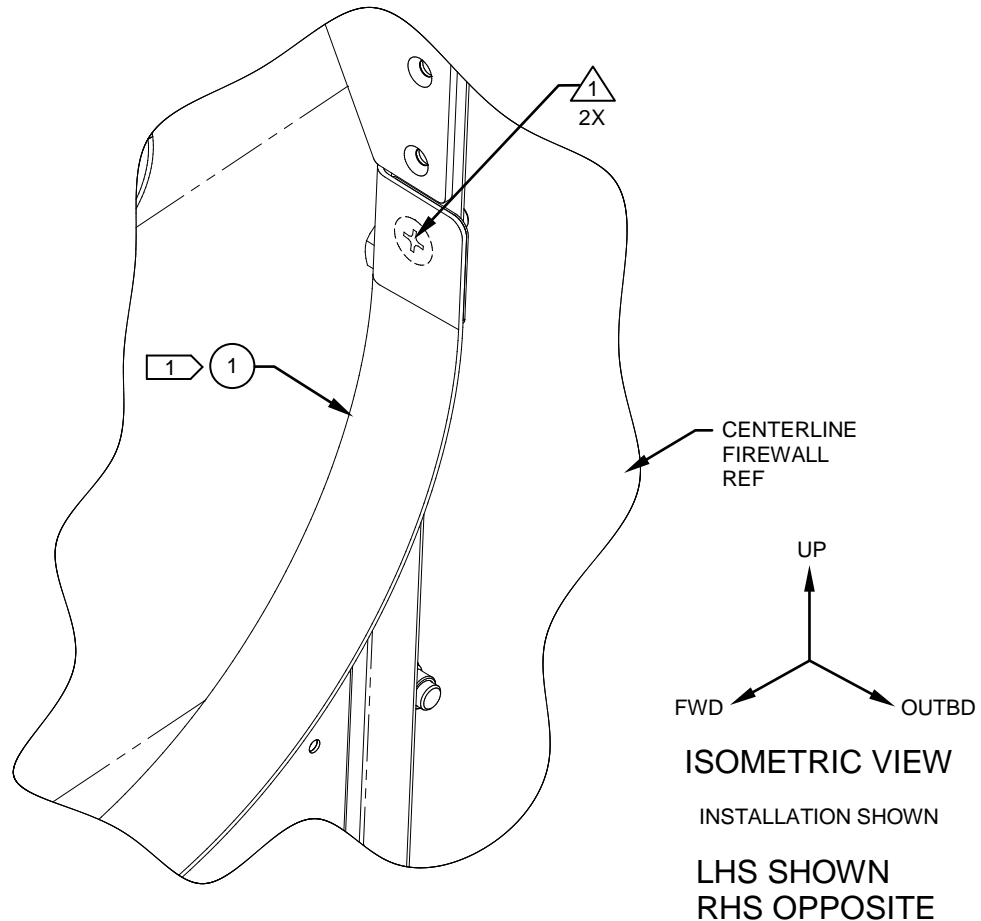


Figure 3

6. Installation complete.
7. Perform a General Inspection of all items to ensure proper installation.
8. Update the aircraft logbook for the installation of the Cover, Assy (Item 1).