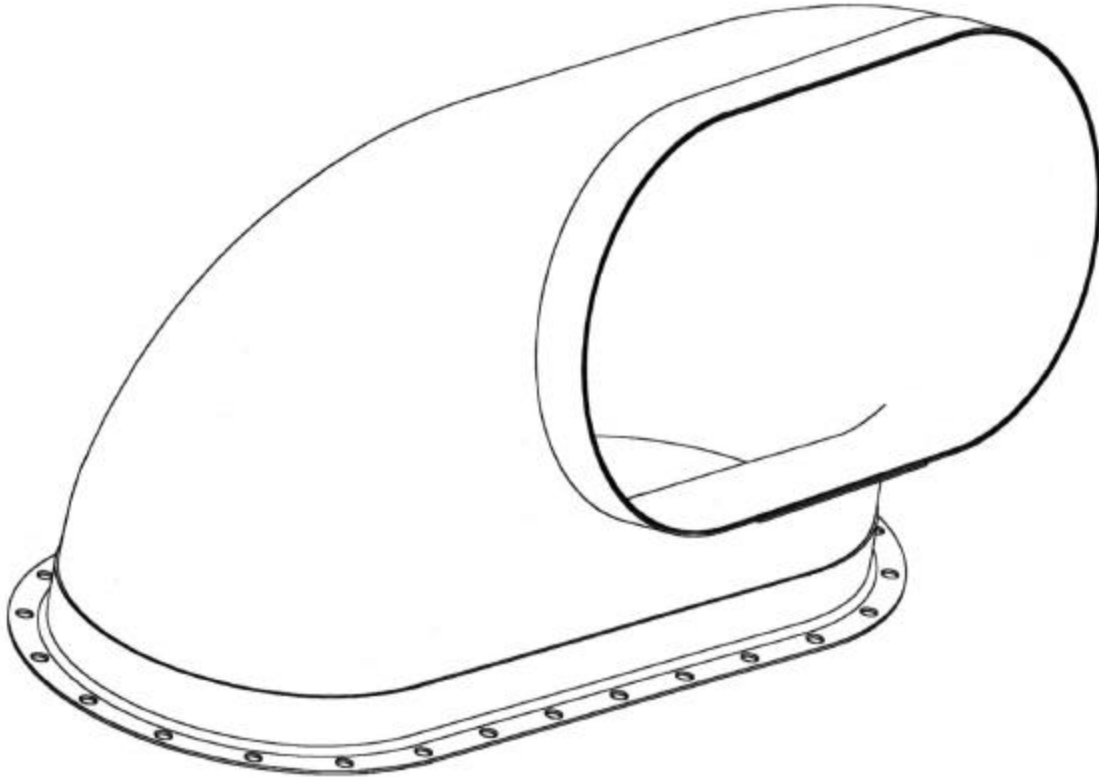




ALPINE AEROTECH LTD.



EXHAUST DUCT/RETAINING RING INSTALLATION INSTRUCTIONS

MODELS: BELL 212/412

Read all of the instructions thoroughly prior to the installation of this product.



ALPINE AEROTECH LTD.

INSPECTION

- 1) Refer to the Exhaust Duct/Retaining Ring Maintenance Manual Supplement, Models: BELL 212/412.

Document No.: 191M-99-004-MMS

WEIGHT & BALANCE

	<u>Weight</u> (Lbs.)	<u>Long. Arm</u> (Inches)	<u>Lat. Arm</u> (Inches)
Exhaust Duct/Retaining Ring Assy P/N: AAL-061-302-001	Negligible	N/R	N/R
Exhaust Duct/Retaining Ring Assy P/N: AAL-061-302-002	Negligible	N/R	N/R

INSTALLATION NOTES

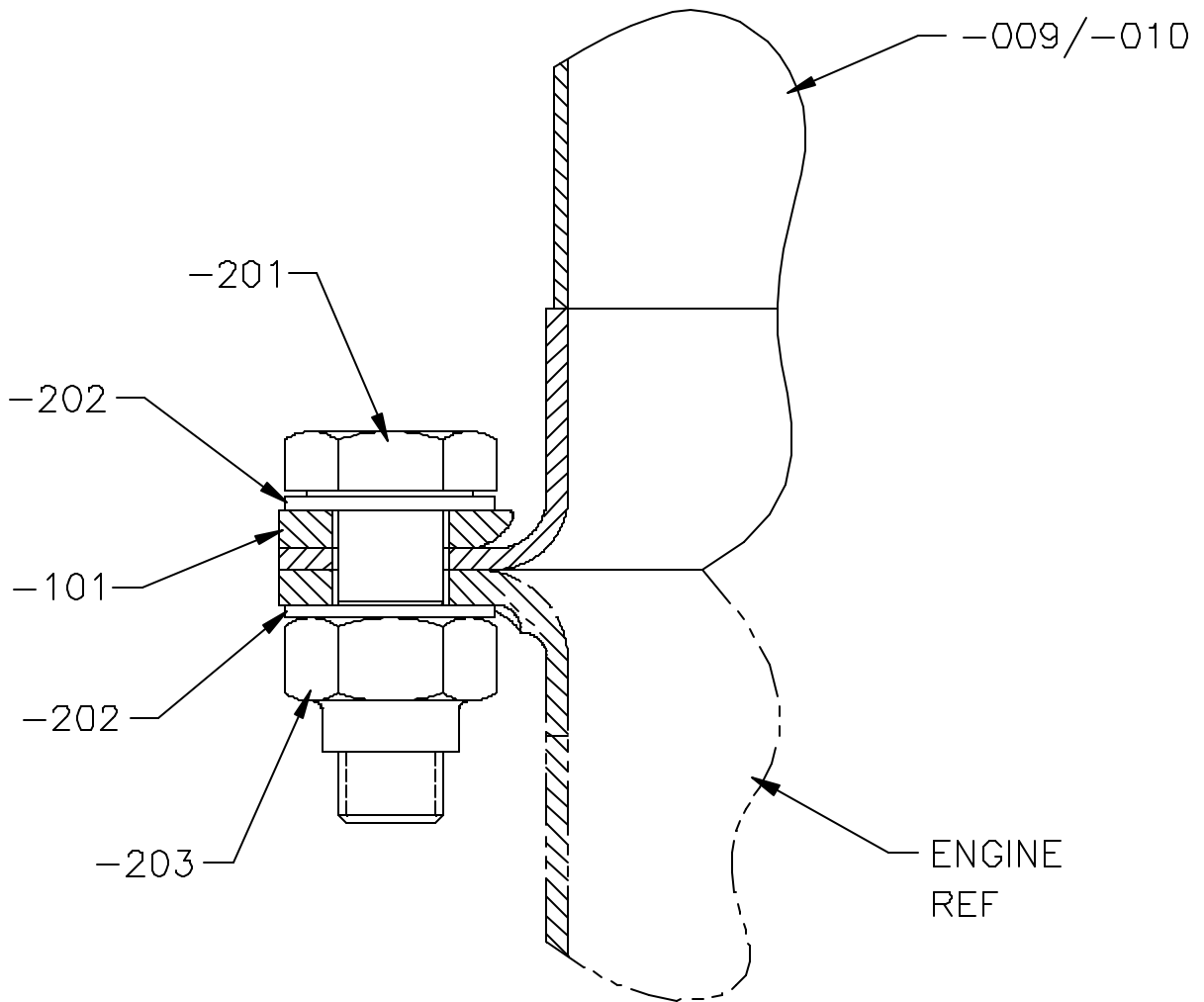
- 1) All instructions, where applicable, are to be completed using standard aircraft sheet metal and maintenance practices.
- 2) All hardware must be torqued to standard specs.
- 3) Reference numbers in installation correspond to dash numbers in Parts List.

INSTALLATION

- 1) Remove existing fasteners for retaining Exhaust Ducts and discard.
- 2) Remove existing Exhaust Ducts.
- 3) Install new Exhaust Ducts, -009 LHS/-010 RHS as shown. Reference Figure 1.
- 4) Install Retaining Ring, -101, ensuring the inside radiused edge is facing down as shown. Reference Figure 1.
- 5) Install new fasteners as shown. Reference Figure 1.



INSTALLATION



TYP BOLT INSTALLATION
28 PLACES
FIGURE 1