

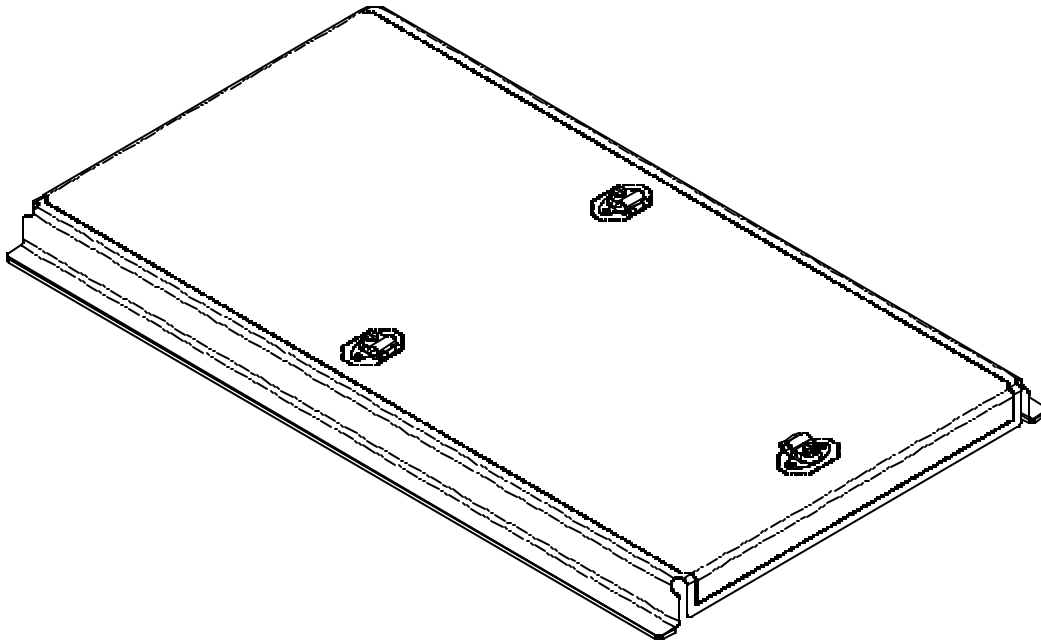


**ALPINE AEROTECH LTD.**  
www.alpineaerotech.com



1260 Industrial Road, Kelowna, B.C., Canada V1Z 1G5  
Phone: (250) 769-6344 Fax: (250) 769-6303  
admin@alpineaerotech.com

---



## **COWLING BAFFLE SCREEN MAINTENANCE MANUAL SUPPLEMENT**

**MODELS: BELL 212, 412, 412CF & 412EP**

Read all of the maintenance manual supplement instructions  
thoroughly prior to the inspection of this product



## **General Notes**

1. The following information defines the instructions for continuing airworthiness, repair allowances and airworthiness limitations for the item(s) referenced within this document.
2. Refer to the current revision of the BHT Maintenance Manual, BHT-212-MM or BHT-412-MM, or DND Maintenance Manual, C-12-146-000/MF-001, for the chapter(s) and section(s) referenced within this document.
3. Refer to the current revision of the Cowling Baffle Screen Illustrated Parts Breakdown and Installation Instructions for the replacement and/or installation of the item(s) referenced within this document.
4. Scheduled inspection for the item(s) referenced within this document shall be accomplished in accordance with (IAW) the Inspection Procedures specified.
5. Repair allowances for the item(s) referenced within this document shall be accomplished IAW the Repair Procedures specified.
6. Limitations for the item(s) referenced within this document are IAW the Airworthiness Limitations specified.
7. Alpine Aerotech Ltd. shall make any subsequent revisions of this document available upon request.
8. If changes to this document are required, Alpine Aerotech Ltd. shall revise all pages and reissue the entire document.



## **Inspection Procedures**

### **Supplement to applicable Maintenance Manual, Chapter 5, Inspection and Component Overhaul Schedule**

#### **Notes**

1. Refer to the applicable Maintenance Manual, Chapters 5-1, 5-2 & 5-3, for general information on inspections, inspection definitions, inspection intervals, inspection methods and inspection schedules.
2. General Inspections, as indicated within this document, are defined as visual, non-thorough checks.
3. Detailed Inspections, as indicated within this document, are defined as visual and thorough, searching checks.
4. Perform Daily Inspections every day, prior to flight operation. If damage is detected, perform the 100 Hour/12 Month Inspections.
5. Perform 100 Hour/12 Month Inspections every 100 hours or every 12 months, whichever occurs first, prior to flight operation. If damage is detected, refer to the Repair Procedures section within this document.

#### **Scheduled Inspections**

##### 1. Daily Inspections

Data Reference: Cowling Baffle Screen Illustrated Parts Breakdown  
Cowling Baffle Screen Installation Instructions

- i. Perform a General Inspection on the Cowling Baffle Screen, Installation for general condition.
- ii. Perform a General Inspection on the Cowling Baffle Screen, Installation for proper security.



## Scheduled Inspections

### 2. 100 Hour/12 Month Inspections

Data Reference: Cowling Baffle Screen Illustrated Parts Breakdown  
Cowling Baffle Screen Installation Instructions

- i. Perform a Detailed Inspection on all materials and finishes in the Cowling Baffle Screen, Installation for evidence of corrosion, cracks and damage.
- ii. Perform a Detailed Inspection on all materials and finishes in the Cowling Baffle Screen, Installation for proper integrity and condition.
- iii. Perform a Detailed Inspection on the Cowling Baffle Screen, Installation for proper security.
- iv. Perform a Detailed Inspection on all hardware and fasteners in the Cowling Baffle Screen, Installation for proper security and torque.



**ALPINE AEROTECH LTD.**  
www.alpineaerotech.com



1260 Industrial Road, Kelowna, B.C., Canada V1Z 1G5  
Phone: (250) 769-6344 Fax: (250) 769-6303  
admin@alpineaerotech.com

---

## **Repair Procedures**

1. Repairs to the item(s) referenced within this document are **not** permitted. Contact Alpine Aerotech Ltd. for further information if repairs are required to the item(s) referenced within this document.



---

---

## **Airworthiness Limitations**

The Airworthiness Limitations section is approved by the Minister and specifies maintenance required by any applicable airworthiness or operating rule unless an alternative program has been approved by the Minister.

The Airworthiness Limitations section is FAA approved and specifies maintenance required under Sections 43.16 and 91.403 of the Federal Aviation Regulations unless an alternative program has been FAA approved.

## **Supplement to applicable Maintenance Manual, Chapter 4, Airworthiness Limitations Schedule**

### Notes

1. Refer to the applicable Maintenance Manual, Chapter 4-3, for general information on airworthiness limitations and airworthiness limitation schedules.
2. Item(s) **not** listed in the Scheduled Airworthiness Limitations section within this document have an unlimited airworthiness life.

### Scheduled Airworthiness Limitations

1. There are no airworthiness limitations associated with the item(s) referenced within this document.