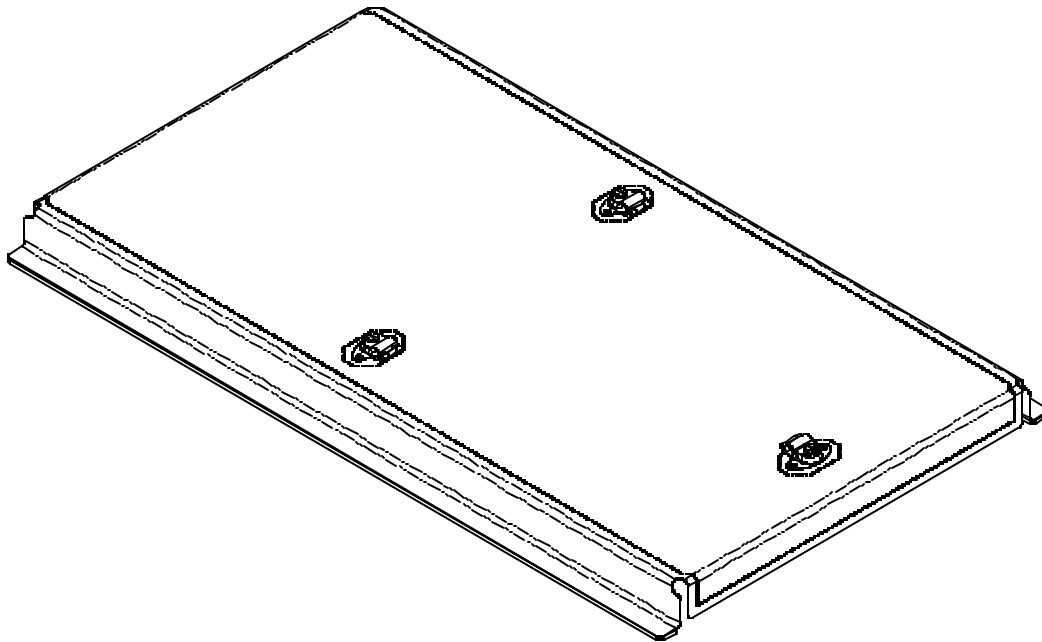




ALPINE AEROTECH LTD.
www.alpineaerotech.com



1260 Industrial Road, Kelowna, B.C., Canada V1Z 1G5
Phone: (250) 769-6344 Fax: (250) 769-6303
admin@alpineaerotech.com



COWLING BAFFLE SCREEN ILLUSTRATED PARTS BREAKDOWN

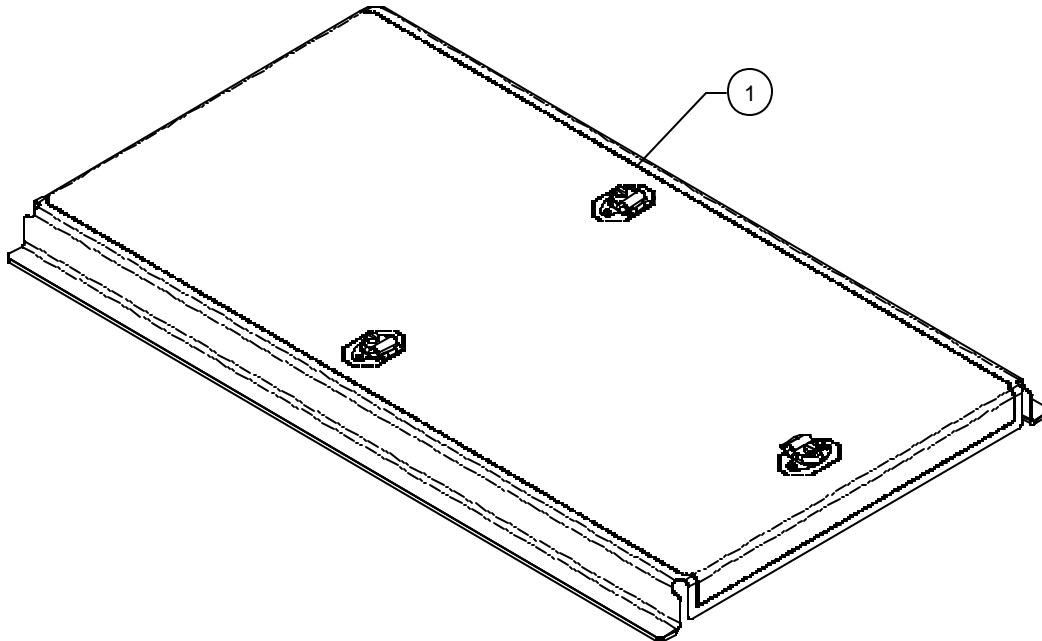
MODELS: BELL 212, 412, 412CF & 412EP



General Notes

1. Alternates shown for applicable items.
 2. Alpine Aerotech Ltd. shall make any subsequent revisions of this document available upon request.
- ① Remove and discard existing aircraft item. Existing aircraft item shall not be used as an alternate.

Illustrated Parts Breakdown





ALPINE AEROTECH LTD.

www.alpineaerotech.com



1260 Industrial Road, Kelowna, B.C., Canada V1Z 1G5

Phone: (250) 769-6344 Fax: (250) 769-6303

admin@alpineaerotech.com

1

ITEM	QTY	PART NUMBER	DESCRIPTION	MATERIAL/MFR	MATERIAL SIZE	MATERIAL SPEC	CAGEC
-	-		COWLING BAFFLE SCREEN, INSTALLATION	C/O ITEMS 1			
1	1	AAL-232-021-001	SCREEN, ASSY				
-	AR	NAS1738MW()-(-)	RIVET				
-	1	212-060-823-105	BAFFLE (REPLACED BY ITEM 1)	BELL HELICOPTER			97499