

C/BOX DRAIN RESERVOIR INSTALLATION INSTRUCTIONS

MODELS: BELL 212 & 412

Read all of the installation instructions thoroughly
prior to the installation of this product



Weight & Balance

<u>Part Number</u>	<u>Description</u>	<u>Weight</u>	<u>Long. Arm</u>	<u>Lat. Arm</u>
AAL-061-502-001	C/Box Drain Reservoir Assy	1.10 (lb) 0.50 (Kg)	211.11 (in) 5.36 (m)	1.74 (in) LBL 0.04 (m) LBL

Notes

1. Installation instructions must be completed in accordance with standard aircraft practices.
2. Hardware must be torqued to standard aircraft specifications.
3. Components contained within this product are listed in the applicable Illustrated Parts Breakdown and are denoted by dash numbers in the installation instructions.
4. Inspection and maintenance of this product must be completed in accordance with the applicable Maintenance Manual Supplement.

Installation Instructions

1. Remove existing Manifold, P/N 212-061-502-001, and hardware from Tail Rotor Servo compartment.
2. Remove existing drain fittings from manifold and replace o-rings with -106/-107, as required.
3. Install existing drain fittings in Reservoir Housing, -101, as shown. Reference Figure 1.

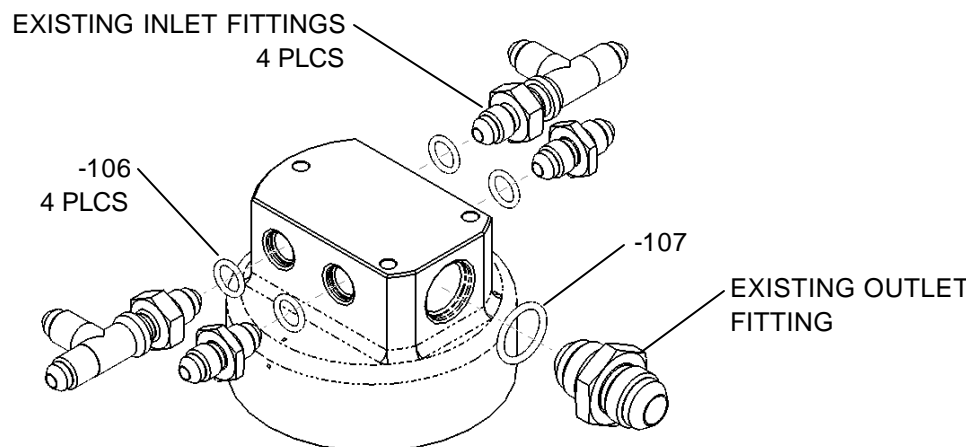


Figure 1



Installation Instructions

4. Install Reservoir Housing, Reservoir Bowl Assy, -011, and hardware as shown. Reference Figure 2.

NOTE: Do not over tighten Reservoir Bowl Assy

5. Secure Reservoir Bowl Assy to Reservoir Housing with lockwire, -108, as shown. Reference Figure 2.
6. Ensure Drain Cock is tightly closed.
7. Installation complete.

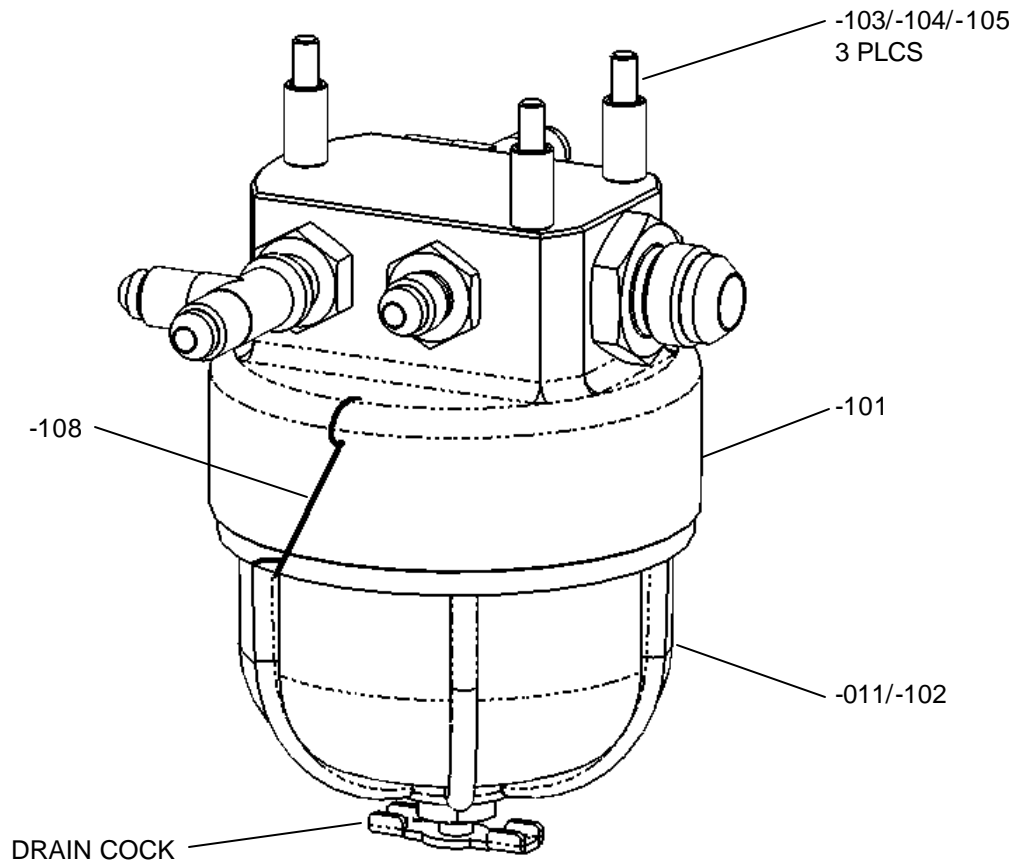


Figure 2