

	Transport Canada
Design Approval Representative No. 326	
APPROVED	
By	
Date	2017-10-10
For	
Appr'l No.	SH16-1
Issue No.	1
YY-MM-DD	

BEAR PAW, KIT INSTALLATION INSTRUCTIONS

MODELS: BELL 206L SERIES, 407

Read all of the Instructions for Installation
thoroughly prior to performing any activities relating to this product



Table of Contents

<u>Section</u>	<u>Description</u>	<u>Page</u>
1	Description	2
2	Installation & Removal Instructions	3
	2.1 Installation Instructions on OEM skid gear	4
	2.2 Installation Instructions on DART skid gear	7

Notes

1. If changes to this document are required, Alpine Aerotech LP shall revise all pages and reissue the entire document.
2. Alpine Aerotech LP shall make any subsequent revisions of this document available free of charge upon request. Alpine Aerotech LP also recommends that the end user of this product periodically verify the revision level of this document.

Section 1: Description

The following information provides a functional description of the Bear Paw, Kit as defined in Alpine Aerotech LP authority dataset AAL-390-010-001.

- In soft terrain landing situations where the skid tubes can sink into the landing area, e.g., tundra, snow and sand, balancing issues can occur and in rare cases the tail rotor can strike the ground.
- The Bear Paw, Kit when installed adds additional flotation to the skid gear aft of the C of G, thus keeping the balance point forward of the C of G.



Section 2: Installation & Removal Instructions

Weight & Balance

<u>Part Number</u>	<u>Description</u>	<u>Weight</u>	<u>Long. Arm</u>	<u>Lat. Arm</u>
AAL-390-010-001	Bear Paw, Kit	14.51*	154.02	.00
		6.58 (Kg)	3.912 (m)	.00 (m)

* Total increase in weight to aircraft.

General Notes

1. All Installation Instructions shall be accomplished in accordance with (IAW) standard aircraft practices. Refer to the current revision of the FAA manuals AC 43.13-1B and AC 43.13-2B for details on standard aircraft practices.
2. All Fasteners shall be torqued to standard aircraft specifications, unless otherwise specified. Refer to the current revision of the FAA manuals AC 43.13-1B and AC 43.13-2B for details on standard torque specifications.
3. All Dimensions are in imperial measures (inches/pounds).
4. Refer to Bear Paw, Kit Instructions for Continued Airworthiness (AAL-290-015-701) Section 2: Maintenance Manual Supplement for instructions on maintenance for the item(s) referenced within this section.
5. Refer to Section 2.1 for installation instructions applicable to installation on OEM skid tubes.
6. Refer to Section 2.2 for installation instructions applicable to installation on DART skid tubes.
7. Refer to Bear Paw, Kit Instructions for Continued Airworthiness (AAL-290-015-701) Section 4: Illustrated Parts Breakdown for the part numbers of the item(s) referenced within this section.

Installation Notes

1. Hardware orientation is mandatory.
2. Item 5 to be used for installation on aircraft equipped with OEM skid gear.
3. Item 6 to be used for installation on aircraft equipped with DART skid tubes.



Section 2.1: Installation on OEM Skid Tube

NOTE: LHS installation shown, RHS opposite.

1. Pre-install the supplied hardware as shown. Reference Figure 2. Torque fasteners to 40 in-lbs.

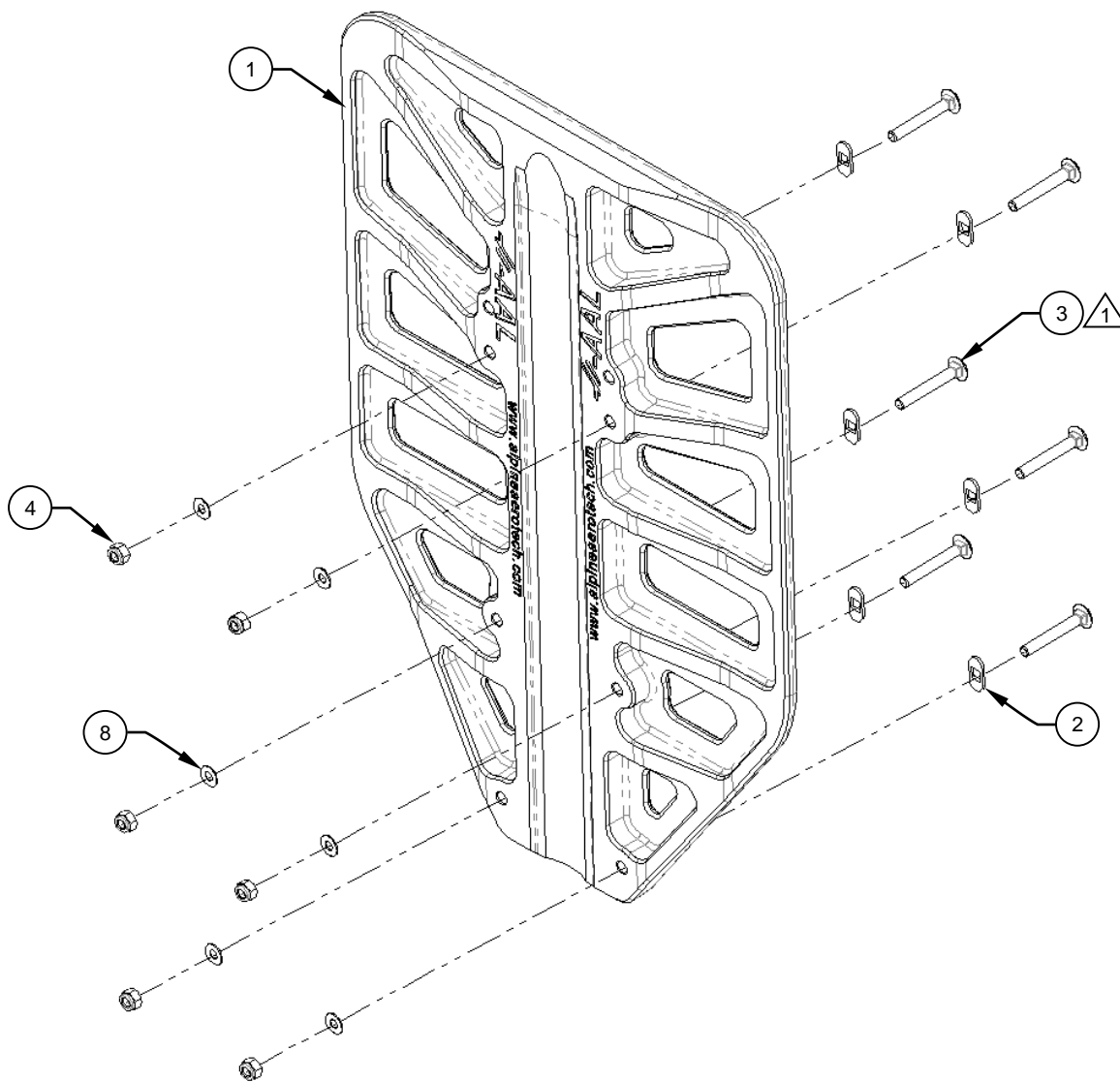
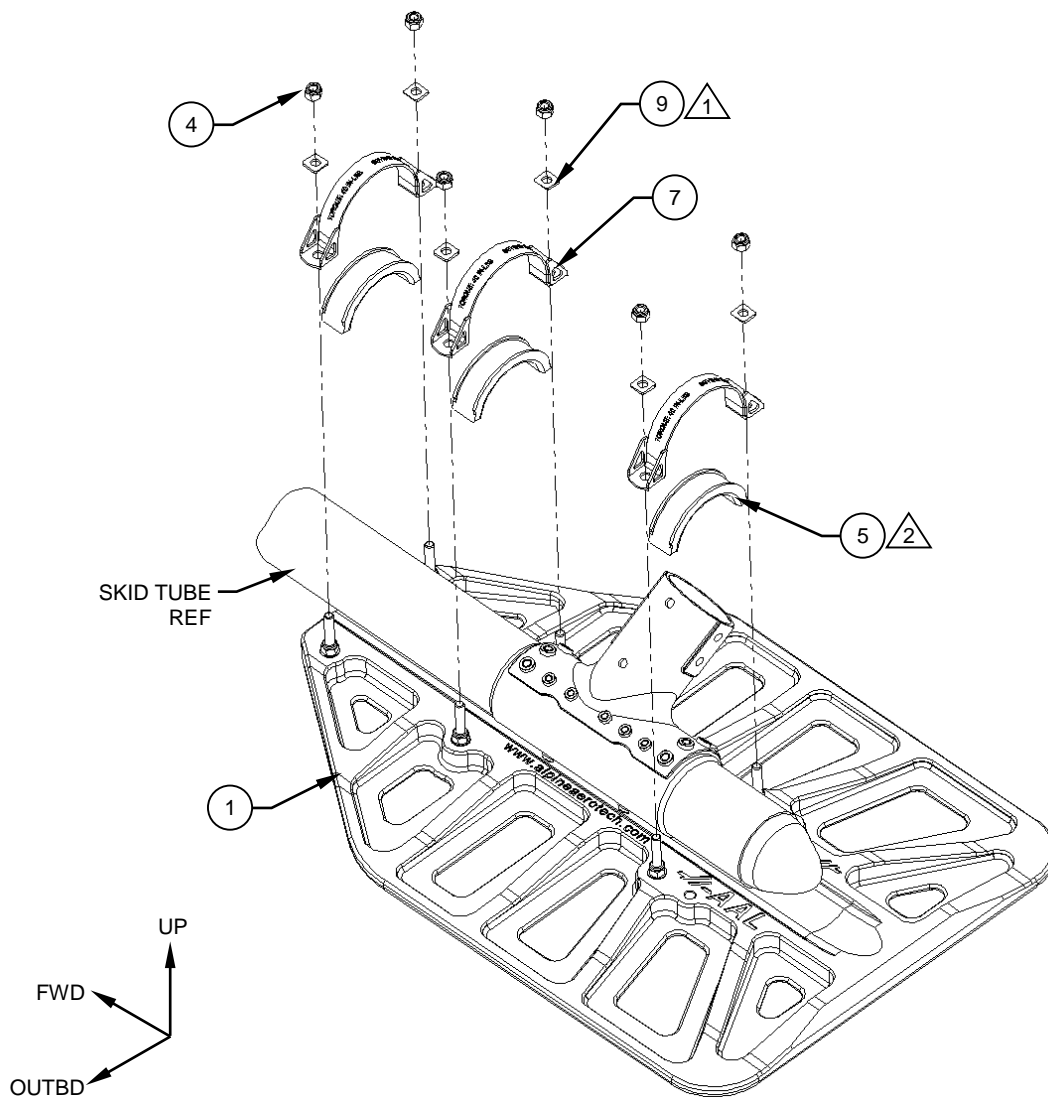


Figure 2



Installation on OEM Skid Tube (cont.)

1. Place Cap, Details (Item 5) into Strap, Assys (Item 7) center the cap to the strap. Reference Figures 3 & 4.
2. Raise the aircraft, so that the Bear Paw, Detail (Item 1) can slide under the skid tube.



ISOMETRIC VIEW
LHS INSTALLATION
SHOWN

Figure 3
LHS Shown
RHS Opposite



Installation on OEM Skid Tube (cont.)

3. Once the Bear Paw, Detail (Item 1) is under the skid tube in its approximate location, place the Strap, Assy's (Item 7) Cap, Details (Item 5) and associated hardware (Items 4 & 9) on their corresponding studs and capture the stud with its respective self-locking nut (Item 4) and washer (Item 9). Reference Figures 3 & 4.
4. Lower the aircraft onto the Bear Paw, Detail (Item 1) and torque fasteners equally to 40 in-lbs. Ensure that the relieved edge of the Washer, Radius (Item 9) is oriented towards the skid tube. Reference Figures 3 & 4.

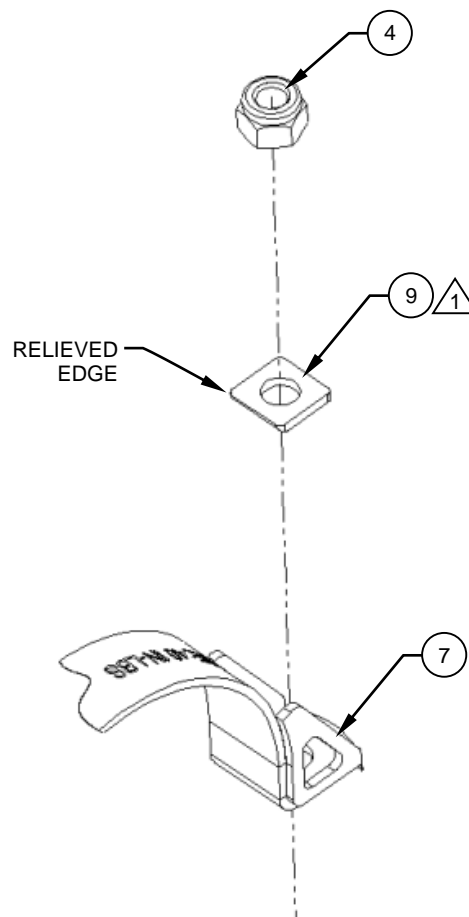


Figure 4

5. Installation complete.
6. Perform a General Inspection of all items to ensure proper installation.
7. Update the aircraft logbook for the installation of the Bear Paw, Kit.



Section 2.2: Installation on DART Skid Tube

NOTE: LHS installation shown, RHS opposite.

1. Pre-install the supplied hardware as shown. Reference Figure 5. Torque fasteners to 40 in-lbs.

NOTE: If installation is for use with Dart Run-On Landing wear strips use Item 10, in all locations.

NOTE: Regardless of standard, or Run-On Landing wear strips, the length of the skid shoe varies. Depending on where the skid shoe cross bolt is located, the aft most set of Carriage Bolts (Items 3 or 10) will have to be located in either the AFT or FWD set of holes, a trial fit will be required to determine the best location. See Figure 5.

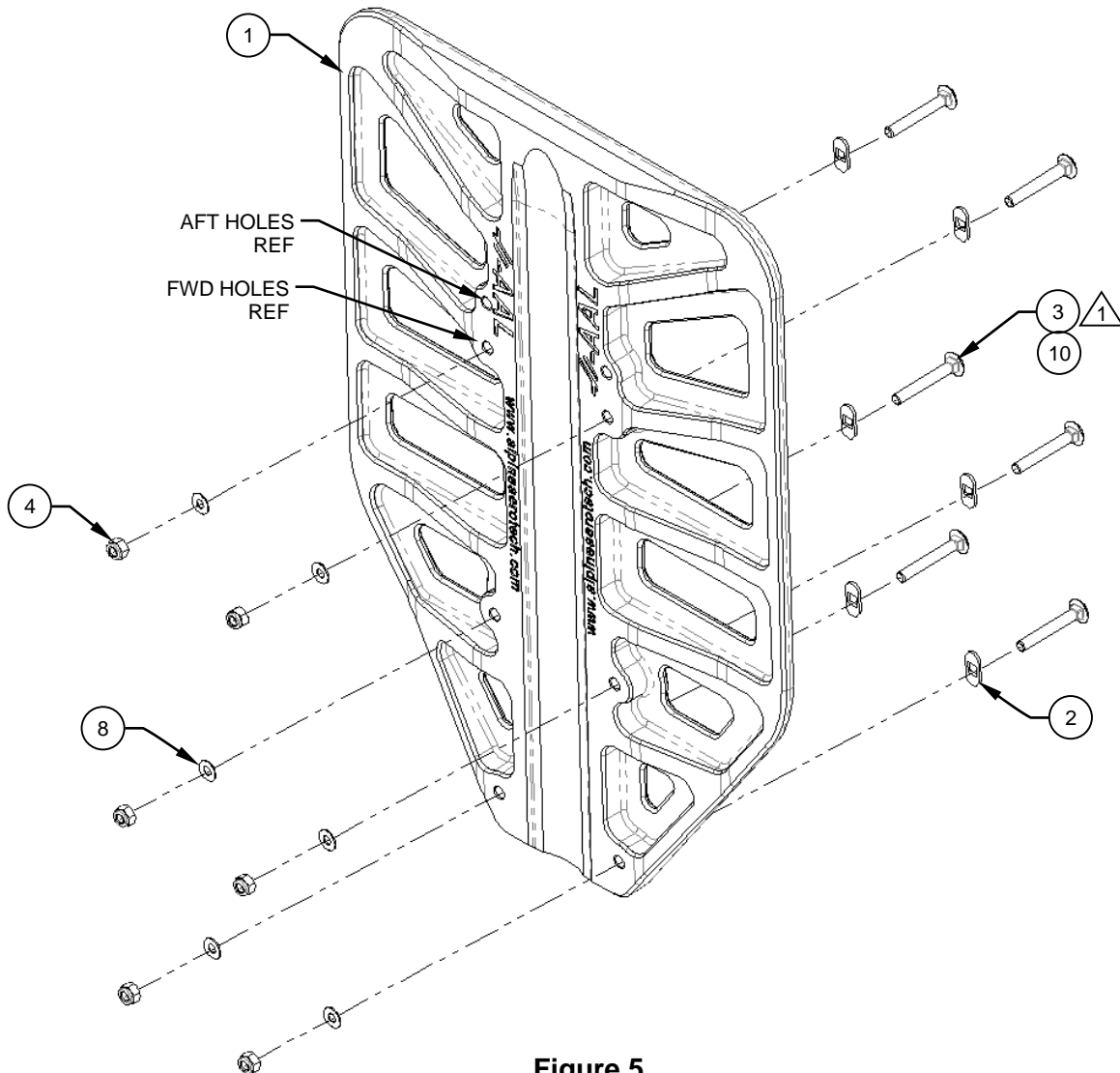


Figure 5



Installation on DART Skid Tube (cont.)

2. Attach Cap, Details (Item 6) to Strap, Assys (Item 7) center the cap to the strap. Reference Figures 6 & 7.
3. Raise the aircraft, so that the Bear Paw, Detail (Item 1) can slide under the skid tube.

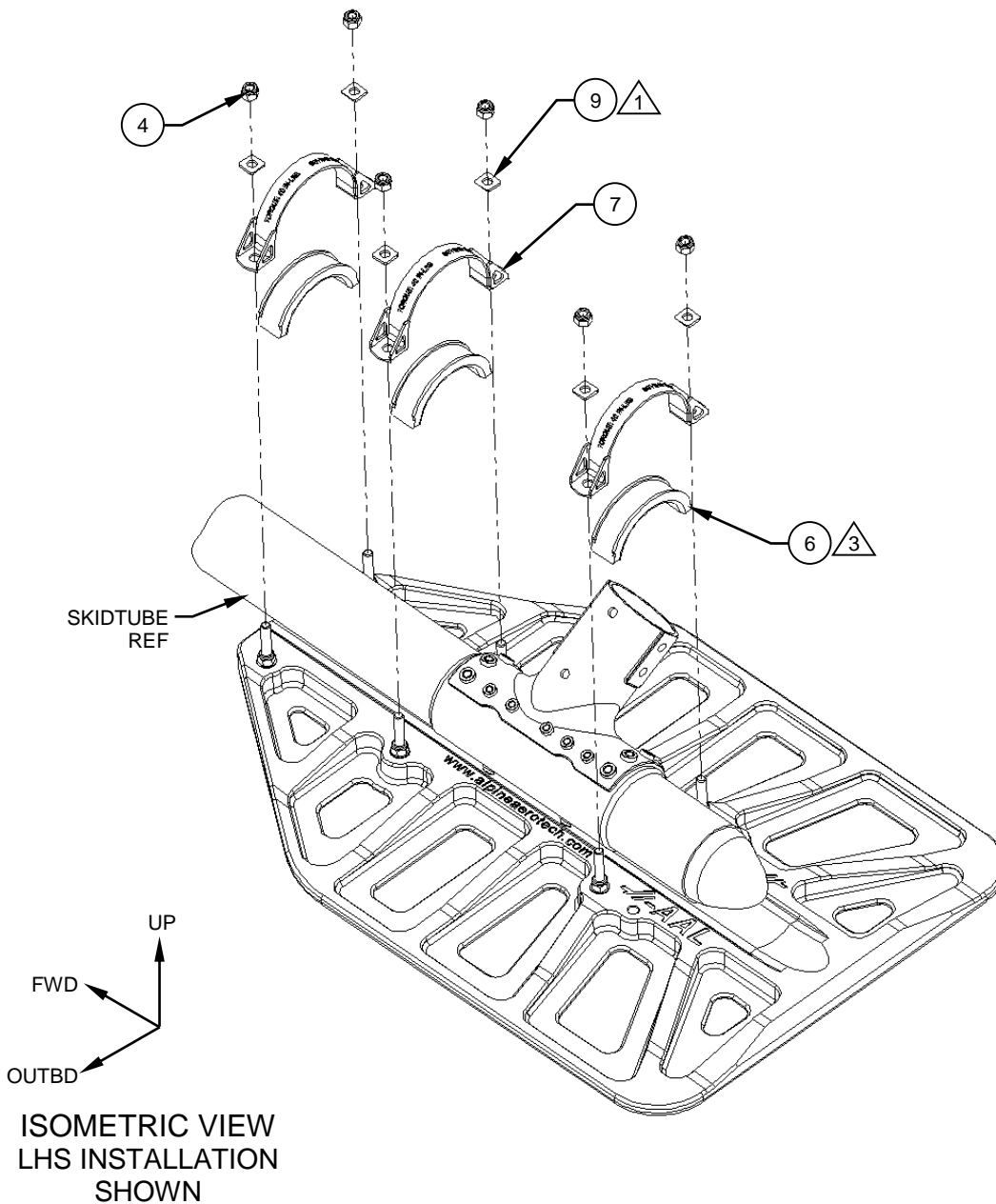


Figure 6



Installation on DART Skid Tube (cont.)

4. Once the Bear Paw, Detail (Item 1) is under the skid tube in its approximate location, place the Strap, Assy's (Item 7) Cap, Details (Item 6) and associated hardware (Items 4 & 9) on their corresponding studs and capture the stud with its respective self-locking nut (Item 4) and washer (Item 9). Reference Figures 6 & 7.
5. Lower the aircraft onto the Bear Paw, Detail (Item 1) and torque fasteners equally to 40 in-lbs. Ensure that the relieved edge of the Washer, Radius (Item 9) is oriented towards the skid tube. Reference Figures 6 & 7.

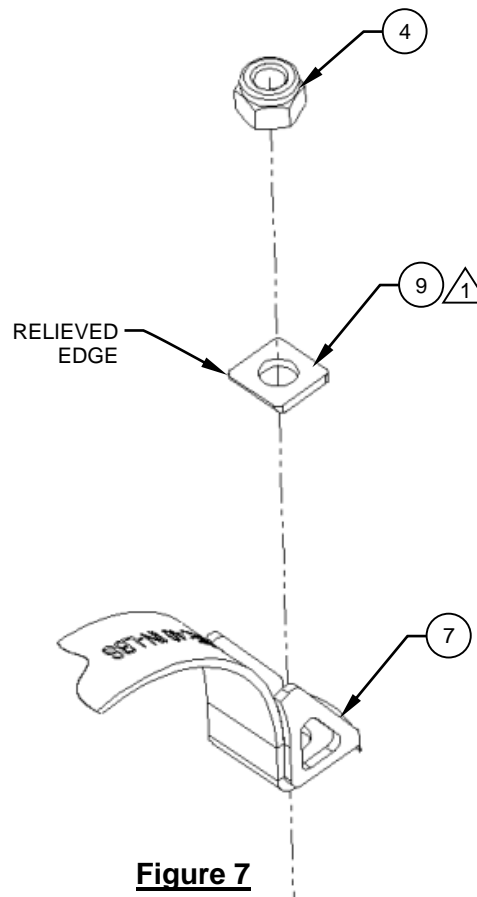


Figure 7

6. Installation complete.
7. Perform a General Inspection of all items to ensure proper installation.
8. Update the aircraft logbook for the installation of the Bear Paw, Kit.