

## **RHS SLIDING DOOR FLOOR PROTECTION, KIT INSTRUCTIONS FOR CONTINUING AIRWORTHINESS**

### **MODELS: EUROCOPTER AS350\***

\*With AFT RHS sliding doors installed

Read all of the Instructions for Continuing Airworthiness thoroughly prior to performing any activities relating to this product



## **Table of Contents**

<u>Section</u>	<u>Description</u>	<u>Page</u>
1	Description	2
2	Maintenance Manual Supplement	3
3	Installation & Removal Instructions	8
	Installation Instructions	9
	Removal Instructions	16
4	Illustrated Parts Breakdown	17

## **Notes**

1. If changes to this document are required, Alpine Aerotech LP shall revise all pages and reissue the entire document.
2. Alpine Aerotech LP shall make any subsequent revisions of this document available free of charge upon request. Alpine Aerotech LP also recommends that the end user of this product periodically verify the revision level of this document.

## **Section 1: Description**

### **Description**

The following information provides a functional description of the RHS Sliding Door Floor Protection, Kit as defined in Alpine Aerotech LP authority dataset AAL-312-020-004.

- The Floor Protection, Kits are rigid pieces of material that are installed atop the existing floor to protect it from dents and punctures associated with typical aircraft usage. This occurs most frequently during loading and unloading operations, but can also occur during small inflight shifts of said cargo.
- The RHS Sliding Door Floor Protection, Kit when installed, adds additional protection to the floor panels, as it is manufactured from a material specifically designed to spread and attenuate energy.



## **Section 2: Maintenance Manual Supplement**

### **General Notes**

1. The following information defines the instructions for continuing airworthiness, repair allowances and airworthiness limitations for the item(s) referenced within this document.
2. Refer to the current revisions of the Eurocopter AS350 Master Service Manual for Instructions for Maintenance/Inspection with respect to the item(s) referenced within this document.
3. Refer to the Section 3: Installation & Removal Instructions and Section 4: Illustrated Parts Breakdown for the replacement and/or installation of the item(s) referenced within this section.
4. Scheduled inspection for the item(s) referenced within this document shall be accomplished in accordance with (IAW) the Inspection Procedures specified.
5. Repair allowances for the item(s) referenced within this document shall be accomplished IAW the Repair Procedures specified.
6. Limitations for the item(s) referenced within this document are IAW the Airworthiness Limitations specified.



---

## **Airworthiness Limitations**

The Airworthiness Limitations section is approved by the Minister and specifies maintenance required by any applicable airworthiness or operating rule unless an alternative program has been approved by the Minister.

The Airworthiness Limitations section is FAA approved and specifies maintenance required under Sections 43.16 and 91.403 of the Federal Aviation Regulations unless an alternative program has been FAA approved.

## **Supplement to applicable Maintenance Manual, Chapter 4, Airworthiness Limitations Schedule**

### Notes

1. Refer to the applicable Master Service Manual, Chapters for general information on airworthiness limitations and airworthiness limitation schedules.
2. Item(s) **not** listed in the Scheduled Airworthiness Limitations section within this document have an unlimited airworthiness life.

### Scheduled Airworthiness Limitations

1. There are no airworthiness limitations associated with the item(s) referenced within this document.



## **Inspection Procedures**

### **Supplement to applicable Maintenance Manual, Chapter 5, Inspection and Component Overhaul Schedule**

#### **Notes**

1. Refer to the applicable Master Service Manual, Breakdown of the MSM Section 7, for general information on inspections, inspection definitions, inspection intervals, inspection methods and inspection schedules.
2. General Inspections, as indicated within this document, are defined as visual, non-thorough checks.
3. Detailed Inspections, as indicated within this document, are defined as visual and thorough, searching checks.
4. Perform Daily Inspections every day, prior to flight operation. If damage is detected, perform the 150 Hour/12 Month Inspections.
5. Perform 150 Hour/12 Month Inspections every 150 hours or every 12 months, whichever occurs first, prior to flight operation. If damage is detected, refer to the Repair Procedures section within this document.

#### **Scheduled Inspections**

##### 1. Daily Inspections

Data Reference: Section 3: Installation and Removal Instructions  
Section 4: Illustrated Parts Breakdown

- i. Perform a General Inspection on the RHS Sliding Door Floor Protection, Kit, Installation for general condition.
- ii. Perform a General Inspection on the RHS Sliding Door Floor Protection, Kit, Installation for proper security.



### Scheduled Inspections

#### 2. 150 Hour/12 Month Inspections

Data Reference: Section 3: Installation and Removal Instructions  
Section 4: Illustrated Parts Breakdown

- I. Perform a Detailed Inspection on all items to ensure proper security.
- II. Perform a Detailed Inspection on all items/materials to ensure proper integrity.
- III. Perform a Detailed Inspection on the RHS Sliding Door Floor Protection, Kit to ensure that it is not delaminating.
- IV. Perform a Detailed Inspection on all surfaces & locations with Velcro applied to ensure no damage has occurred to the aircraft floor.



**ALPINE AEROTECH LP**

www.alpineaerotech.com



1260 Industrial Road, Kelowna, B.C., Canada V1Z 1G5

Phone: (250) 769-6344 Fax: (250) 769-6303

admin@alpineaerotech.com

---

## **Repair Procedures**

1. Repairs to the item(s) referenced within this document are **not** permitted. Contact Alpine Aerotech LP for further information if repairs are required to the item(s) referenced within this document.



**Section 3: Installation & Removal Instructions**

**Weight & Balance**

<u>Part Number</u>	<u>Description</u>	<u>Weight</u>	<u>Long. Arm</u>	<u>Lat. Arm</u>
AAL-312-020-004	RHS Sliding Door Floor Protection, Kit	13.49*	68.127	.915 LBL
		6.118 (Kg)	1.730 (m)	.023(m)

\* Total increase in weight to aircraft.

**General Notes**

1. All Installation Instructions shall be accomplished IAW standard aircraft practices. Refer to the current revision of the FAA publications AC 43.13-1B and AC 43.13-2B for details on standard aircraft practices.
2. All Dimensions are in imperial measures (inches/pounds).
3. Refer to Section 2: Maintenance Manual Supplement for instructions on maintenance for the item(s) referenced within this section.
4. Refer to the Section 4: Illustrated Parts Breakdown for the part numbers of the item(s) referenced within this section.



Alternate Part: DIN965-M4 x 16



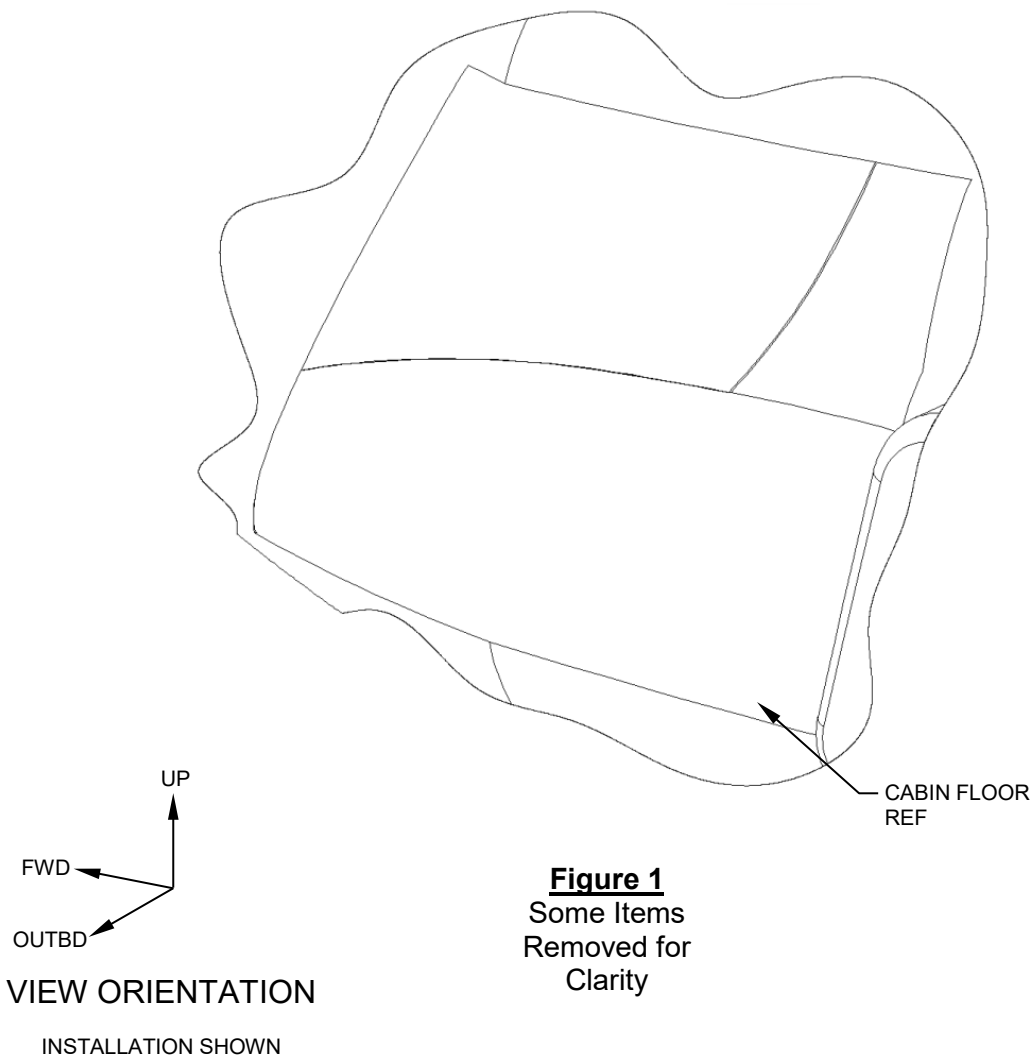
Alternate Part: DIN7985-M4 x 18





## **Installation Instructions**

1. Gain access to the cabin floor, temporarily remove all seats, LHS collective, & foot pedals. Remove any existing floor board protection kits, door sills, sliding door transition sill and all related fasteners. Reference Figure 1.



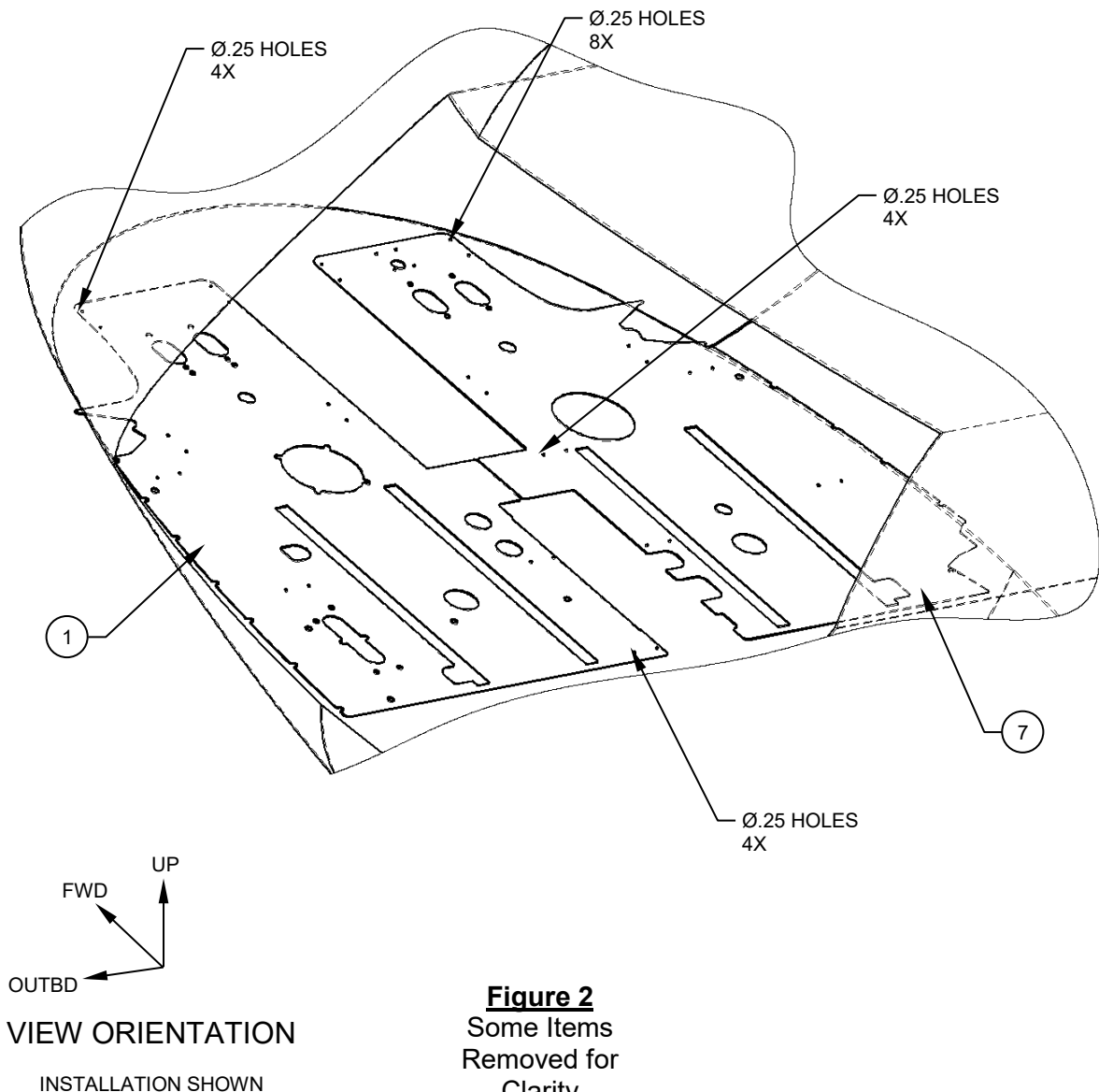


## Installation Instructions

2. Pre-fit the FWD LHS Hinged Door Floor Protection, Assy (Item 1) & FWD RHS Sliding Door Floor Protection, Assy (Item 7) by lining up the outboard edge of the panel, assy with the existing floor panel edge. Reference Figure 2.

**Note:** Ensure clearance around cutout features, cyclic, collective, & pedals etc.

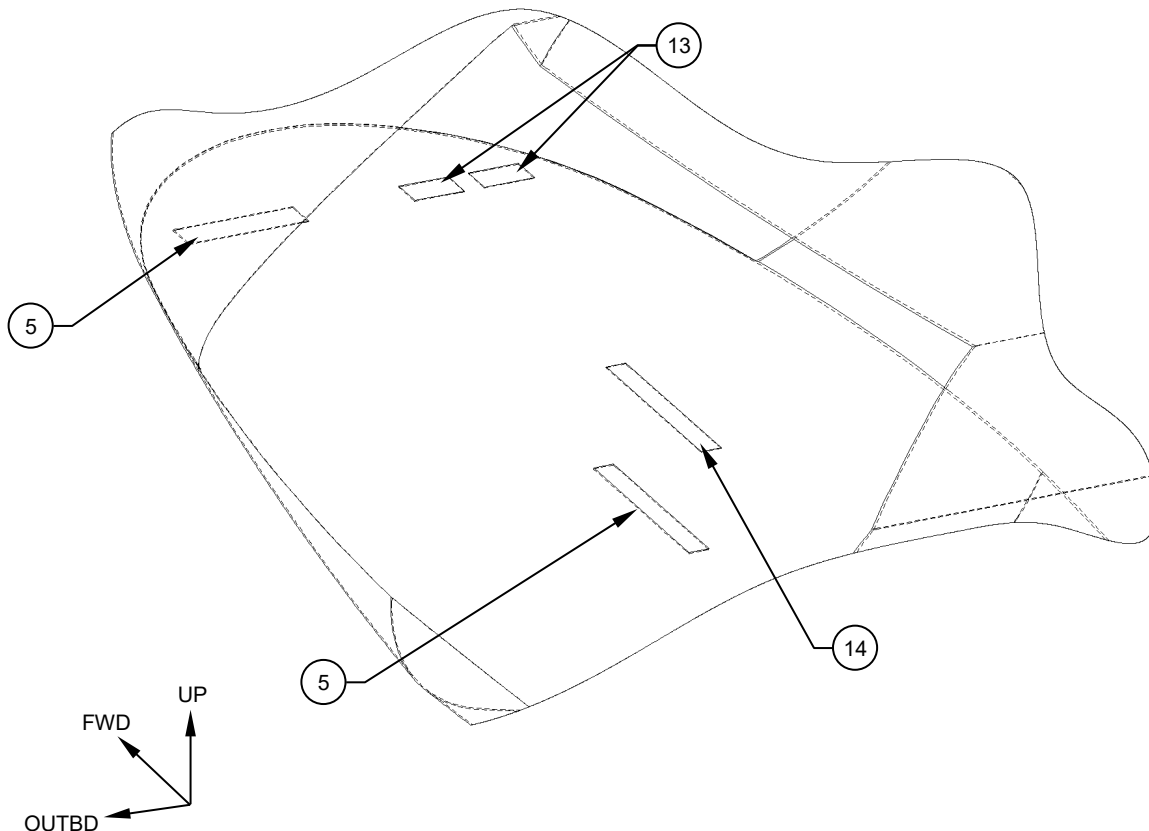
3. With the panel lined up use the pre-cut  $\text{\O} .25$  holes and a felt pen to mark out the locations for the Velcro, Details (Items 6, 13 & 14) and remove the panels (Items 1 & 7). Reference Figure 2.





## Installation Instructions

4. Clean the areas between the felt pen marks with alcohol taking care not to wipe away the felt pen marks.
5. Individually separate each Velcro, Detail (Item 6) off of the FWD LHS Sliding Door Floor Protection, Assy (Item 1) and Velcro, Detail (Items 13 & 14) off of the FWD RHS Sliding Door Floor Protection, Assy (Item 7) peel adhesive backing from the Velcro, Details (Items 6, 13 & 14).
6. Using the felt pen marks as reference points, apply the Velcro, Details (Items 6, 13 & 14) to the floor board panel in their respective locations. Reference Figure 3. Apply adequate pressure to ensure a secure bond.



**VIEW ORIENTATION**  
INSTALLATION SHOWN

**Figure 3**  
Some Items  
Removed for  
Clarity

7. Re-install the FWD LHS Sliding Door Floor Protection, Assy (Item 1) & FWD RHS Sliding Door Floor Protection, Assy (Item 7) onto Velcro strips. Reference Figures 2 & 3.

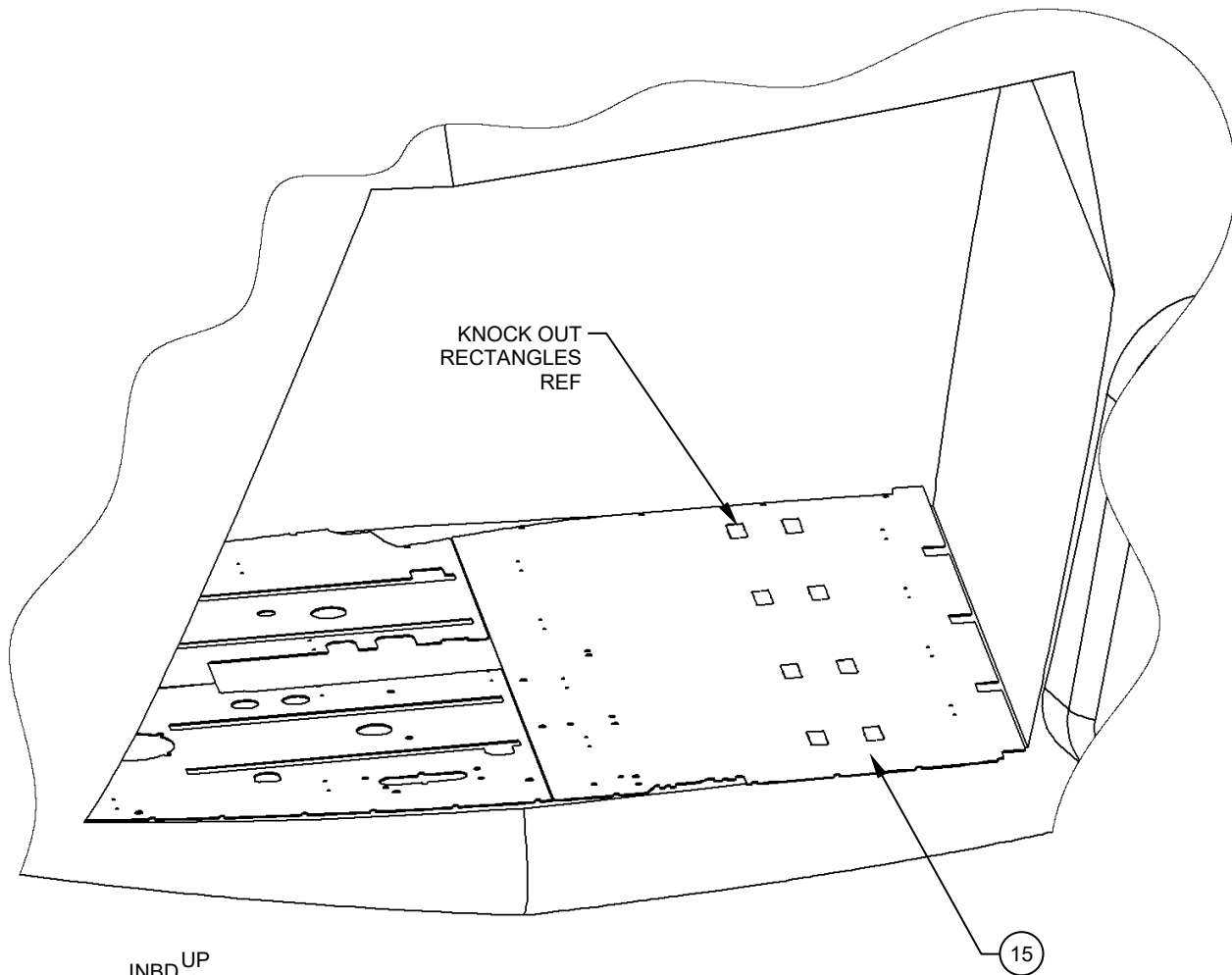


### Installation Instructions

8. Fit the AFT Sliding Door Floor Protection, Assy (Item 15) by lining up the outboard edge of the panel, assy with the existing floor panel edge. Reference Figure 4.

**Note:** Ensure clearance around cutout features, cyclic, collective, & pedals etc.

9. If required use a sharp utility knife to remove **EITHER** the FWD or AFT set of knock out rectangles to allow the Aft seats to be properly fastened. Reference Figure 4



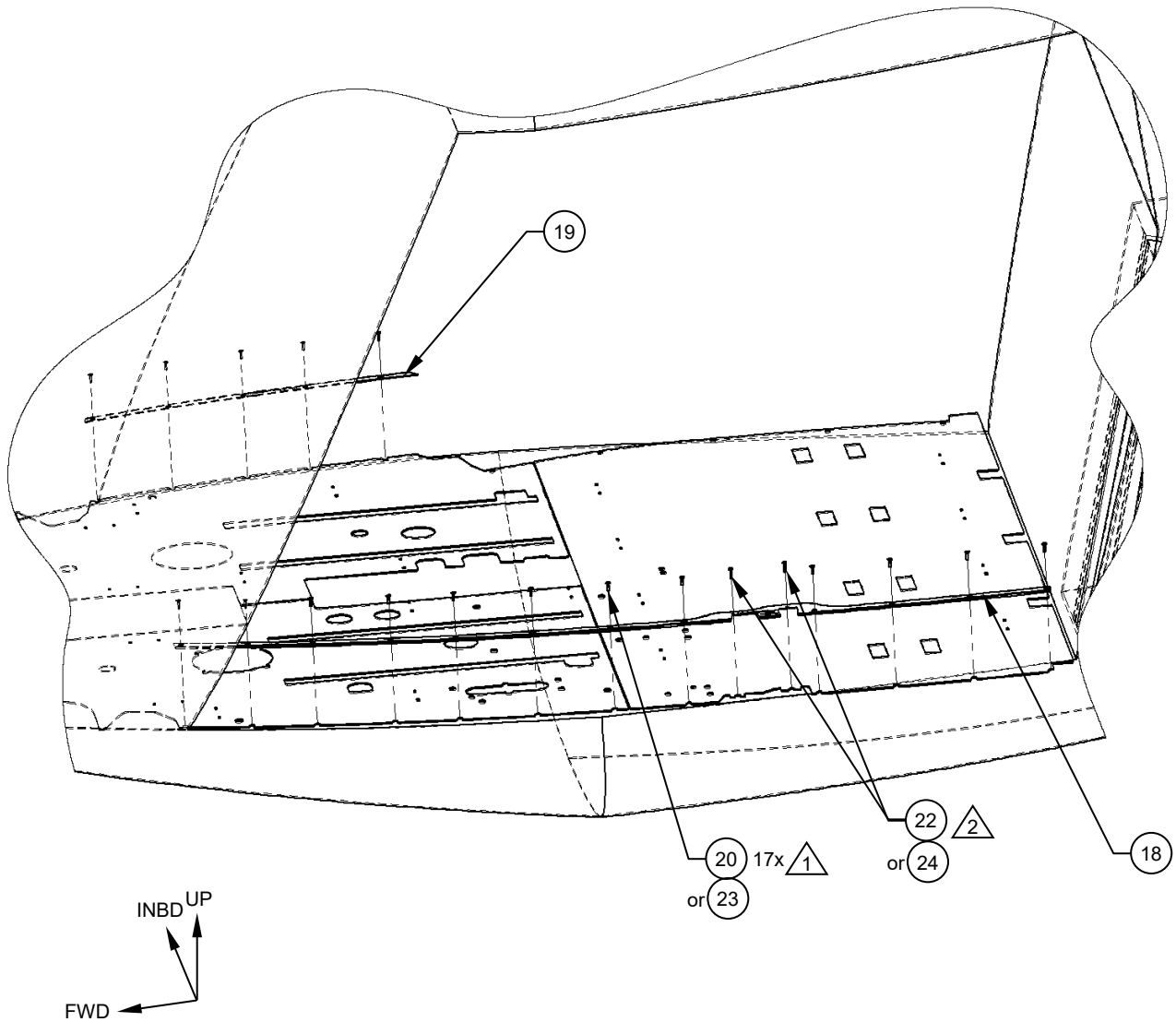
INBD UP  
FWD  
**VIEW ORIENTATION**  
INSTALLATION SHOWN

**Figure 4**  
Some Items  
Removed for  
Clarity



**Installation Instructions**

10. Install Door Sill, Details (Items 18 & 19) as shown using supplied hardware Screw, Machine (Item 20) & Pan Head Philips, Machine Screw (Item 22). Reference Figure 5.



**VIEW ORIENTATION**

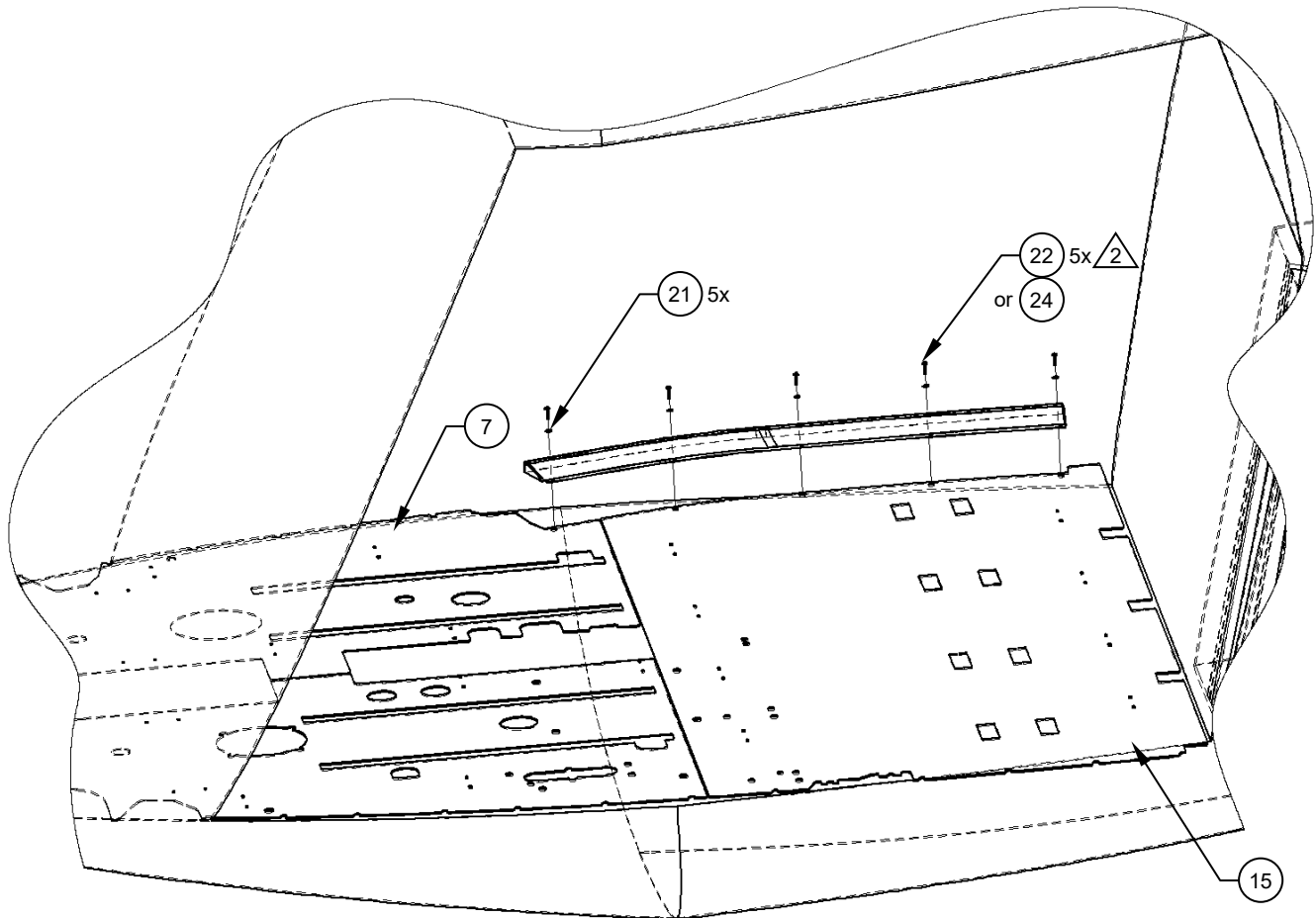
INSTALLATION SHOWN

**Figure 5**  
Some Items  
Removed for  
Clarity



**Installation Instructions**

11. Re-install the sliding door transition sill over top of the AFT Sliding Door Floor Protection, Assy (Item 15) & FWD RHS Hinged Door Floor Protection, Assy (Item 7) and fasten with provided hardware, Pan Head Philips, Machine, Screw, (Item 22) & Washer, Flat (Item 21).



INBD UP  
FWD

**VIEW ORIENTATION**

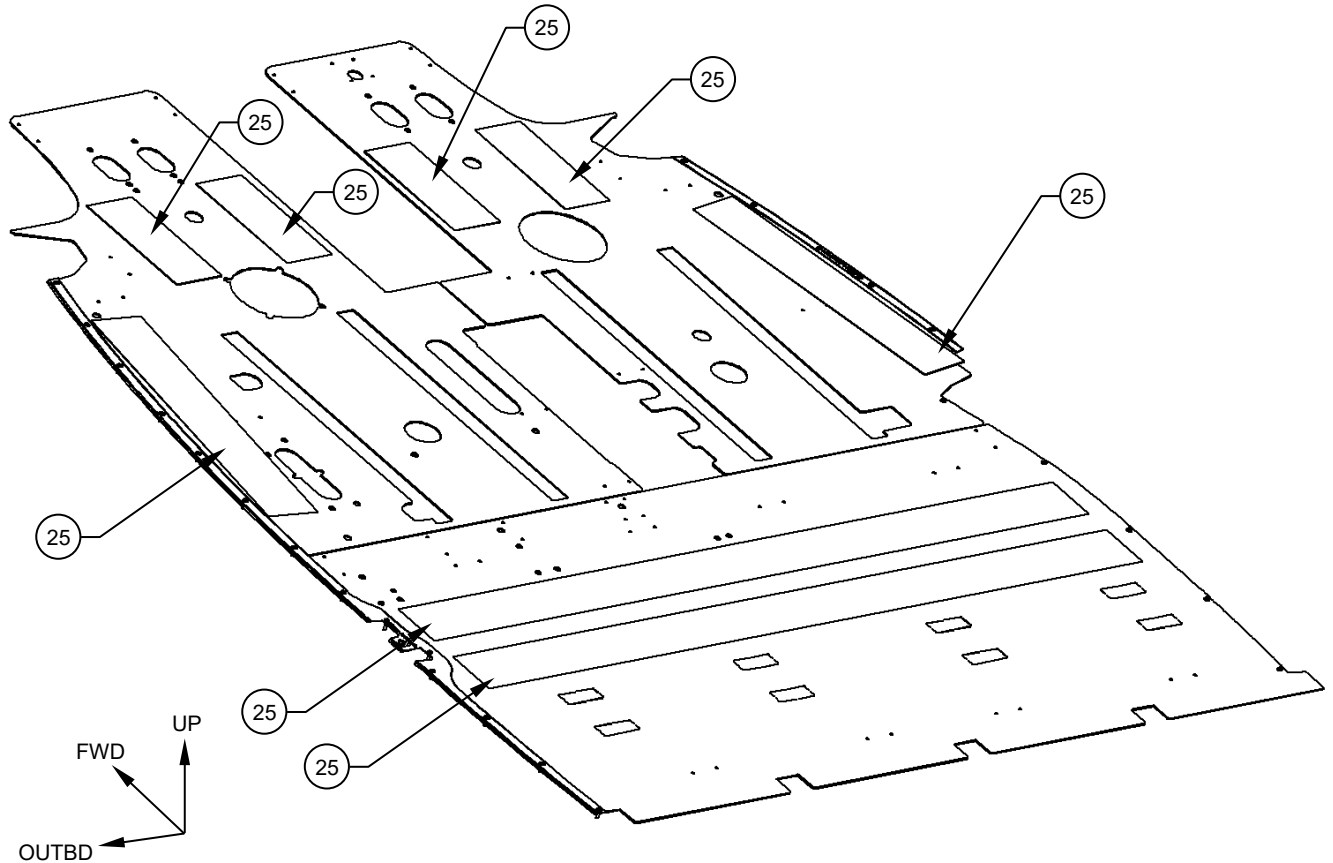
INSTALLATION SHOWN

**Figure 6**  
Some Items  
Removed for  
Clarity



## Installation Instructions

12. Suggested Grip Tape (Item 25), installation shown.



### VIEW ORIENTATION

INSTALLATION SHOWN

### Figure 7

Suggested Grip Tape (Item 25)  
Installation Shown  
Some Items  
Removed for  
Clarity

13. Installation complete

14. Perform a General Inspection of all items to ensure proper installation.

15. Update the aircraft logbook for the installation of RHS Sliding Door Floor Protection, Kit.



**ALPINE AEROTECH LP**

www.alpineaerotech.com



1260 Industrial Road, Kelowna, B.C., Canada V1Z 1G5

Phone: (250) 769-6344 Fax: (250) 769-6303

admin@alpineaerotech.com

---

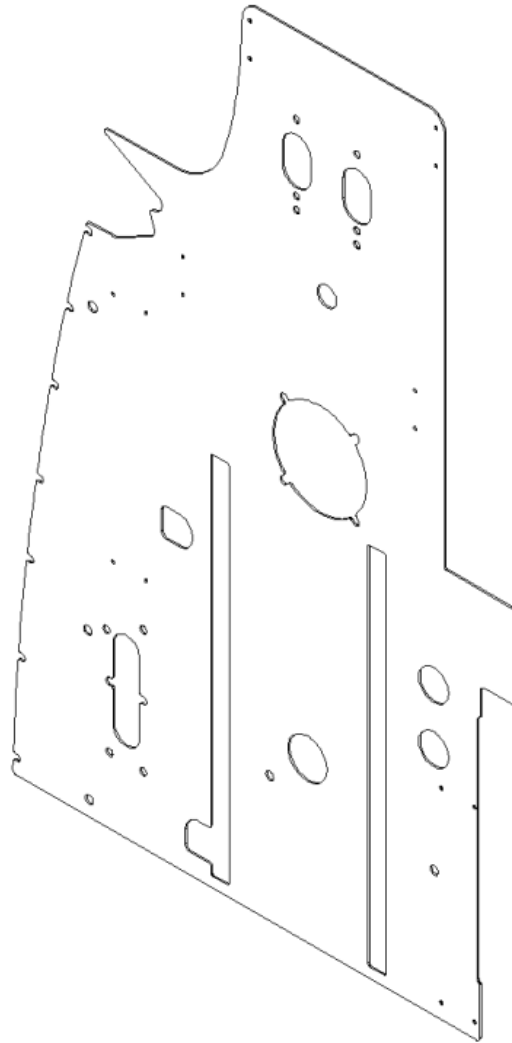
## **Removal Instructions**

1. For the removal the RHS Sliding Door Floor Protection, Kit for either inspections, or mission configuration, the removal of the RHS Sliding Door Floor Protection, Kit can be considered the opposite of installation for step 7, 8 & 9. For permanent removal, of RHS Sliding Door Floor Protection, Kit remove all bonded Velcro, Details.
2. Perform a General Inspection of all items to ensure proper removal.
3. Update the aircraft logbook for the removal of the RHS Sliding Door Floor Protection, Kit.

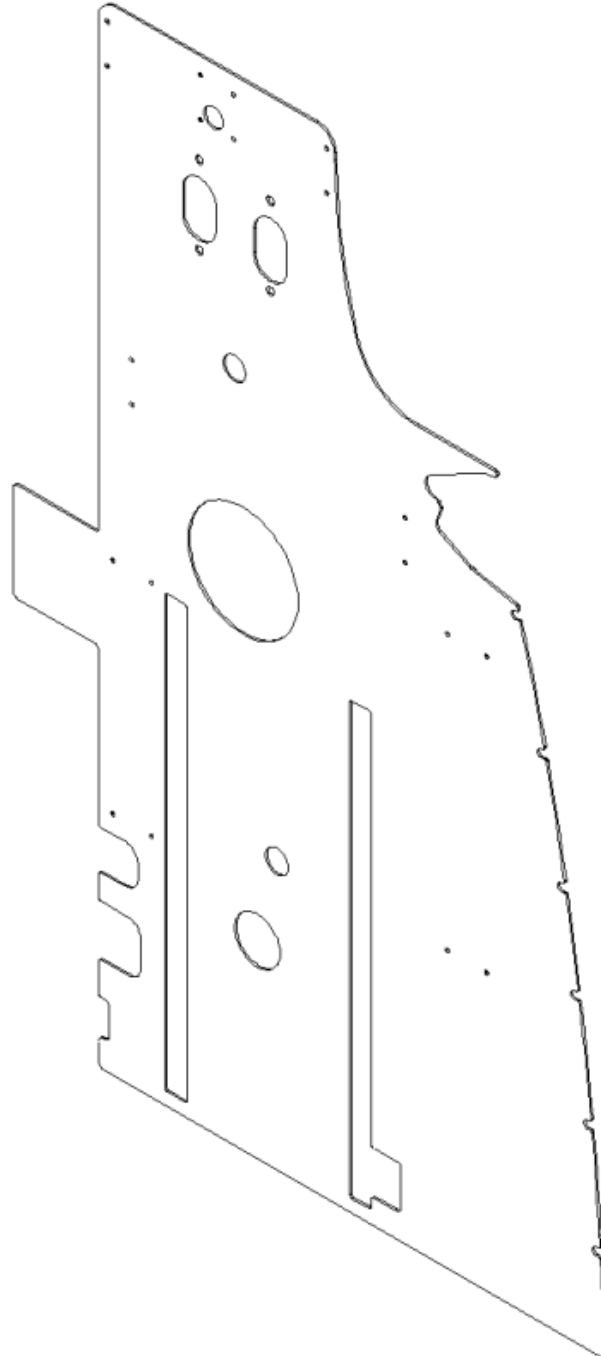




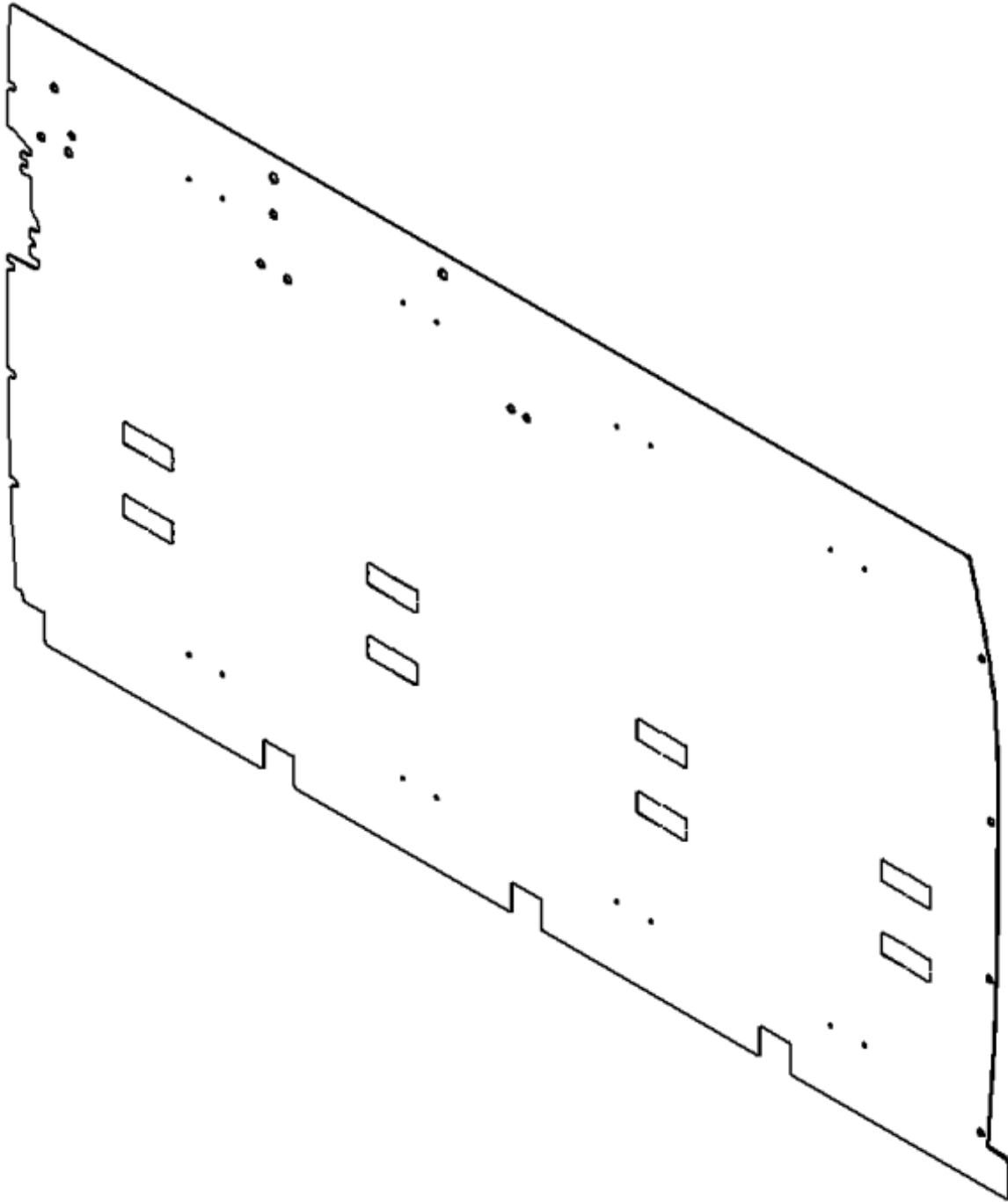
**Section 4: Illustrated Parts Breakdown**



FWD LHS Sliding Door Floor Protection, Assy  
Shown  
Item 1



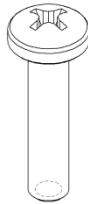
FWD RHS Sliding Door Floor Protection, Assy  
Shown  
Item 7



AFT Hinged Door Floor Protection, Assy  
Shown  
Item 15



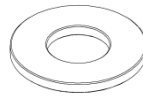
Door Sill, Detail  
Shown  
Item 18



Pan Head Philips,  
Machine Screw  
Shown  
Item 22  
Item 24



Grip Tape  
Shown  
Item 25



Washer, Flat  
Shown  
Item 21



Screw Machine  
Shown  
Item 20  
Item 23



Door Sill, Detail  
Shown  
Item 19



# ALPINE AEROTECH LP

www.alpineaerotech.com



1260 Industrial Road, Kelowna, B.C., Canada V1Z 1G5

Phone: (250) 769-6344 Fax: (250) 769-6303

admin@alpineaerotech.com

ITEM	QTY	NUMBER	DESCRIPTION	MATERIAL	REF STOCK SIZE	SPEC	FINISH	MANUFACTURER	NCAGEC
-	-	AAL-312-020-004	RHS SLIDING DOOR FLOOR PROTECTION, KIT	C/O SHADED ITEMS ONLY					
1	1	AAL-312-021-011	FWD LHS HINGED DOOR FLOOR PROTECTION, ASSY	NA	NA	NA	NA	ALPINE AEROTECH LP	L0171
2	1	AAL-312-021-001	FWD LHS HINGED DOOR FLOOR PROTECTION, ASSY	NA	NA	NA	NA	ALPINE AEROTECH LP	L0171
3	1	AAL-312-022-001	FWD LHS HINGED DOOR FLOOR PROTECTION, DETAIL	NA	NA	NA	NA	ALPINE AEROTECH LP	L0171
4	2	151394	VELCRO, DETAIL	LOOP 1000, BLACK, 8224 PSA	2 X 12.00	SEE MFR	SEE MFR	VELCRO USA INC.	11153
5	2	151394	VELCRO, DETAIL	LOOP 1000, BLACK, 8224 PSA	2 X 15.00	SEE MFR	SEE MFR	VELCRO USA INC.	11153
6	2	151405	VELCRO, DETAIL	HOOK 88, BLACK 8289 PSA	2 x 12.00	SEE MFR	SEE MFR	VELCRO USA INC.	11153
7	1	AAL-312-021-014	FWD RHS SLIDING DOOR FLOOR PROTECTION, ASSY	NA	NA	NA	NA	ALPINE AEROTECH LP	L0171
8	1	AAL-312-021-005	FWD RHS SLIDING DOOR FLOOR PROTECTION, ASSY						
9	1	AAL-312-022-005	FWD RHS SLIDING DOOR FLOOR PROTECTION, DETAIL	NA	NA	NA	NA	ALPINE AEROTECH LP	L0171
10	2	151394	VELCRO, DETAIL	LOOP 1000, BLACK, 8224 PSA	2 x 5.00	SEE MFR	SEE MFR	VELCRO USA INC.	11153
11	1	151394	VELCRO, DETAIL	LOOP 1000, BLACK, 8224 PSA	2 X 12.00	SEE MFR	SEE MFR	VELCRO USA INC.	11153
12	2	151394	VELCRO, DETAIL	LOOP 1000, BLACK, 8224 PSA	2 X 15.00	SEE MFR	SEE MFR	VELCRO USA INC.	11153
13	2	151405	VELCRO, DETAIL	HOOK 88, BLACK 8289 PSA	2 x 5.00	SEE MFR	SEE MFR	VELCRO USA INC.	11153
14	1	151405	VELCRO, DETAIL	HOOK 88, BLACK 8289 PSA	2 x 12.00	SEE MFR	SEE MFR	VELCRO USA INC.	11153
15	1	AAL-312-021-008	AFT RHS SLIDING DOOR FLOOR PROTECTION, ASSY	NA	NA	NA	NA	ALPINE AEROTECH LP	L0171
16	1	AAL-312-022-008	AFT RHS SLIDING DOOR FLOOR PROTECTION, DETAIL	NA	NA	NA	NA	ALPINE AEROTECH LP	L0171
17	4	151394	VELCRO, DETAIL	LOOP 1000, BLACK, 8224 PSA	2 X 26.00	SEE MFR	SEE MFR	VELCRO USA INC.	11153



# ALPINE AEROTECH LP

www.alpineaerotech.com



1260 Industrial Road, Kelowna, B.C., Canada V1Z 1G5

Phone: (250) 769-6344 Fax: (250) 769-6303

admin@alpineaerotech.com

ITEM	QTY	NUMBER	DESCRIPTION	MATERIAL	REF STOCK SIZE	SPEC	FINISH	MANUFACTURER	NCAGEC
-	-	AAL-312-020-004	RHS SLIDING DOOR FLOOR PROTECTION, KIT	C/O SHADED ITEMS ONLY					
18	1	AAL-312-022-011	DOOR SILL, DETAIL	NA	NA	NA	NA	ALPINE AEROTECH LP	L0171
19	1	AAL-312-022-014	DOOR SILL, DETAIL	NA	NA	NA	NA	ALPINE AEROTECH LP	L0171
20	17	ISO 7046-1-M4 x 16	SCREW, MACHINE	SEE SPEC	SEE SPEC	ISO 7046-1	SEE SPEC	SOURCE AS REQUIRED	NA
21	5	NAS1149CN832R	WASHER, FLAT	SEE SPEC	SEE SPEC	NAS1149	SEE SPEC	SOURCE AS REQUIRED	NA
22	7	ISO 4045-M4 x 18	PAN HEAD PHILLIPS, MACHINE SCREW	SEE SPEC	SEE SPEC	ISO 4045	SEE SPEC	SOURCE AS REQUIRED	NA
23	17	MS24693-S273	SCREW, MACHINE	SEE SPEC	SEE SPEC	NAS24693	SEE SPEC	SOURCE AS REQUIRED	NA
24	7	MS35207-265	PAN HEAD PHILLIPS, MACHINE SCREW	SEE SPEC	SEE SPEC	NASM35206	SEE SPEC	SOURCE AS REQUIRED	NA
25	1	3M SAFETY-WALK SLIP-RESISTANT GENERAL PURPOSE TAPES AND TREADS 620, CLEAR 4in - 70070975621	SAFETY-WALK GENERAL PURPOSE GRIP TAPE	POLY-URETHANE	202.00"	NA	NFSI SCOF < 0.60	3M	NA