

AFT PEDESTAL STOWAGE COMPARTMENT, KIT INSTALLATION INSTRUCTIONS

**MODELS: BELL 205A, 205A-1, 205B, 212, 412,
412CF, 412EP**

Read all of the Instructions for Continuing Airworthiness
thoroughly prior to performing any activities relating to this product

Table of Contents

<u>Section</u>	<u>Description</u>	<u>Page</u>
1	Description	2
2	Installation & Removal Instructions	3
	Applicability	3
	Installation Instructions	4
	Removal Instructions	9

Notes

1. If changes to this document are required, Alpine Aerotech LP shall revise all pages and reissue the entire document.
2. Alpine Aerotech LP shall make any subsequent revisions of this document available free of charge upon request. Alpine Aerotech LP also recommends that the end user of this product periodically verify the revision level of this document.

SECTION 1: DESCRIPTION

The following information provides a functional description of the Aft Pedestal Stowage Compartment, Assy as defined in Alpine Aerotech LP authority dataset AAL-290-070-001.

- For original/existing aircraft design which has no dedicated stowage to hold flight manuals, logbooks and any other loose contents securely.
- There's one configuration for both standard aircraft and aircraft that have been modified with AAL's Pedestal Riser. There will be a paddle-handle push-to-close latch on the lid for simple opening, additional drink holders for flight crew and a radio pocket, all within a close range convenient for the operators.

SECTION 2: INSTALLATION & REMOVAL INSTRUCTIONS

Applicability

The Aft Pedestal Stowage Compartment, Kit (AAL-290-070-001) is applicable to Bell 205A, 205A-1, 205B, 212, 412, 412CF, 412EP and all serial numbers equipped with an OEM interior or AAL's Pedestal Riser, Kit (AAL-280-090-001).

Weight & Balance

<u>Part Number</u>	<u>Description</u>	<u>Weight</u>	<u>Long. Arm</u>	<u>Lat. Arm</u>
AAL-290-070-001	Aft Pedestal Stowage Compartment, Kit	6.37*	63.13	0.94RBL
		2.89 (Kg)	1.60 (m)	.024 (m)

* Total increase in weight to aircraft.

General Notes

1. All Installation Instructions shall be accomplished in accordance with (IAW) standard aircraft practices. Refer to the current revision of the FAA manuals AC 43.13-1B and AC 43.13-2B for details on standard aircraft practices.
2. All Dimensions are in imperial measures (inches/pounds).
3. Refer to Section 2: Maintenance Manual Supplement located in ICA (AAL-290-075-701) for instructions on maintenance for the item(s) referenced within this section.
4. Refer to Section 4: Illustrated Parts Breakdown located in the Instructions for Continuing Airworthiness (AAL-290-075-701) for the part numbers of the item(s) referenced within this section.

Installation Notes

 Typical item number for all like items in this view unless otherwise specified.

Installation Instructions

1. Gain access to the OEM center pedestal located on the floor of the aircraft. Reference Figure 2.
2. Line up the top of the Pedestal Attachment Flange, Detail (Item 19) with the bottom edge of the AAL pedestal riser or the top edge of the OEM center pedestal making sure the Pedestal Attachment Flange, Detail (Item 19) is coincident with the OEM center pedestal. Reference Figure 1 & 2.

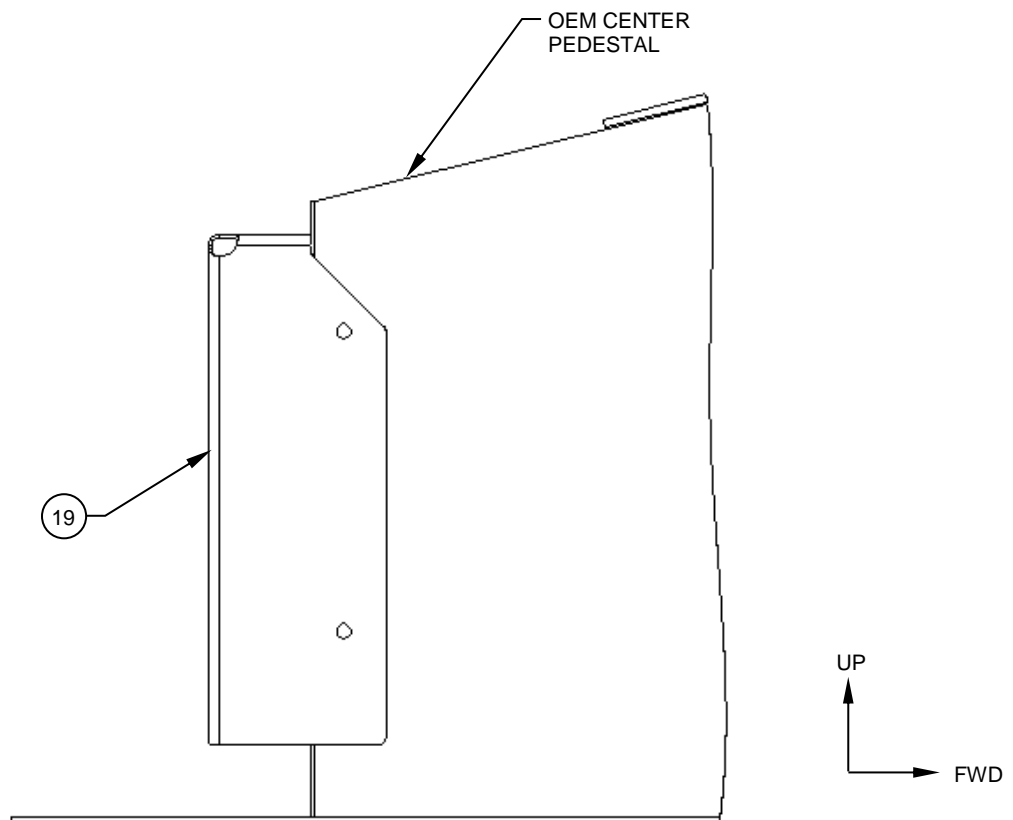


Figure 1
Some Items
Removed for
Clarity

3. Back drill 4x permanent holes from OEM center pedestal nut plates into the Pedestal Attachment Flange, Detail (Item 19). Reference Figure 2.

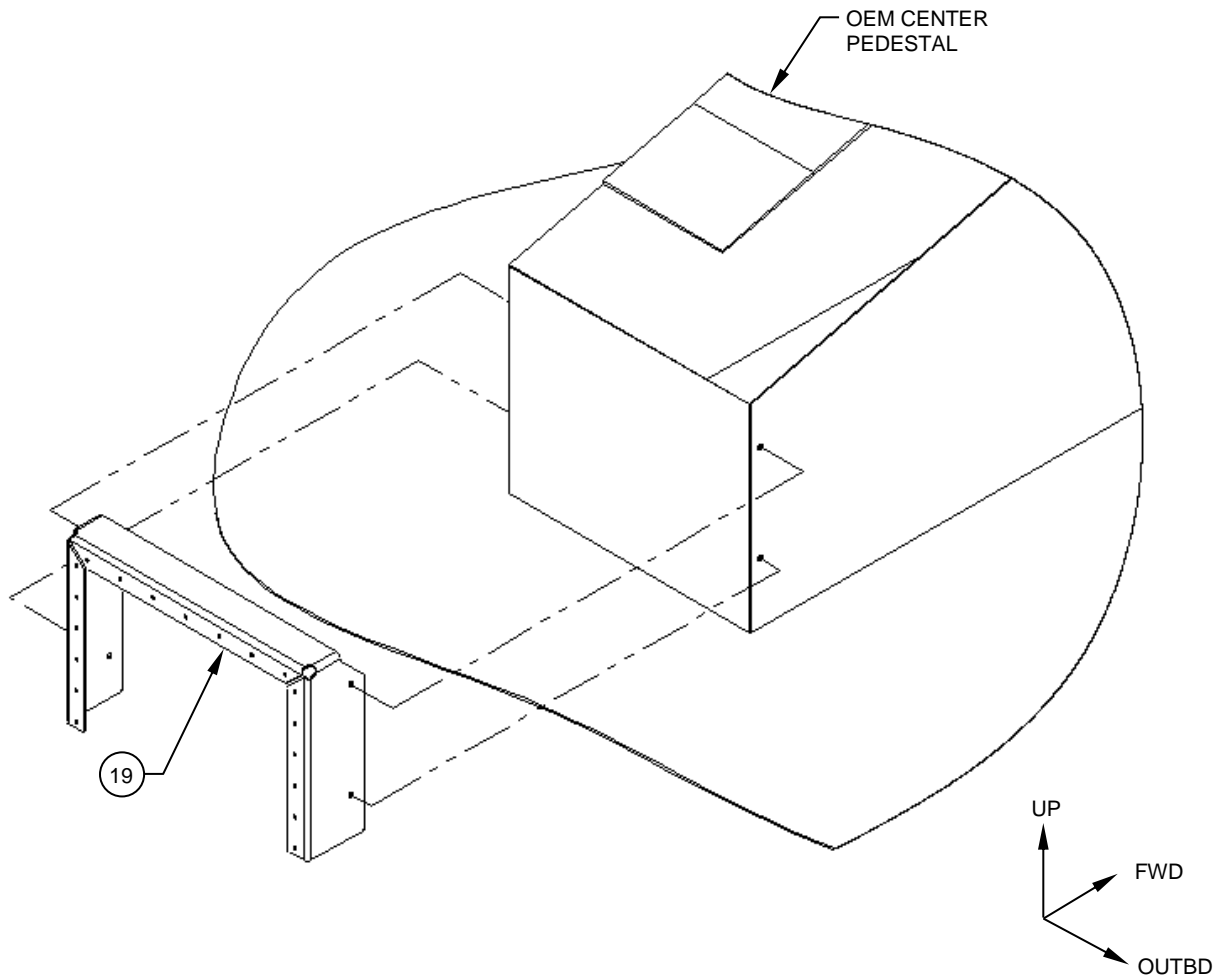


Figure 2
Some Items
Removed for
Clarity

4. Mark the front wall of the Aft Pedestal Stowage Compartment, Assy (Item 1) to denote where the top and sides of the Pedestal Attachment Flange, Detail (Item 19) sit. Reference Figure 3.

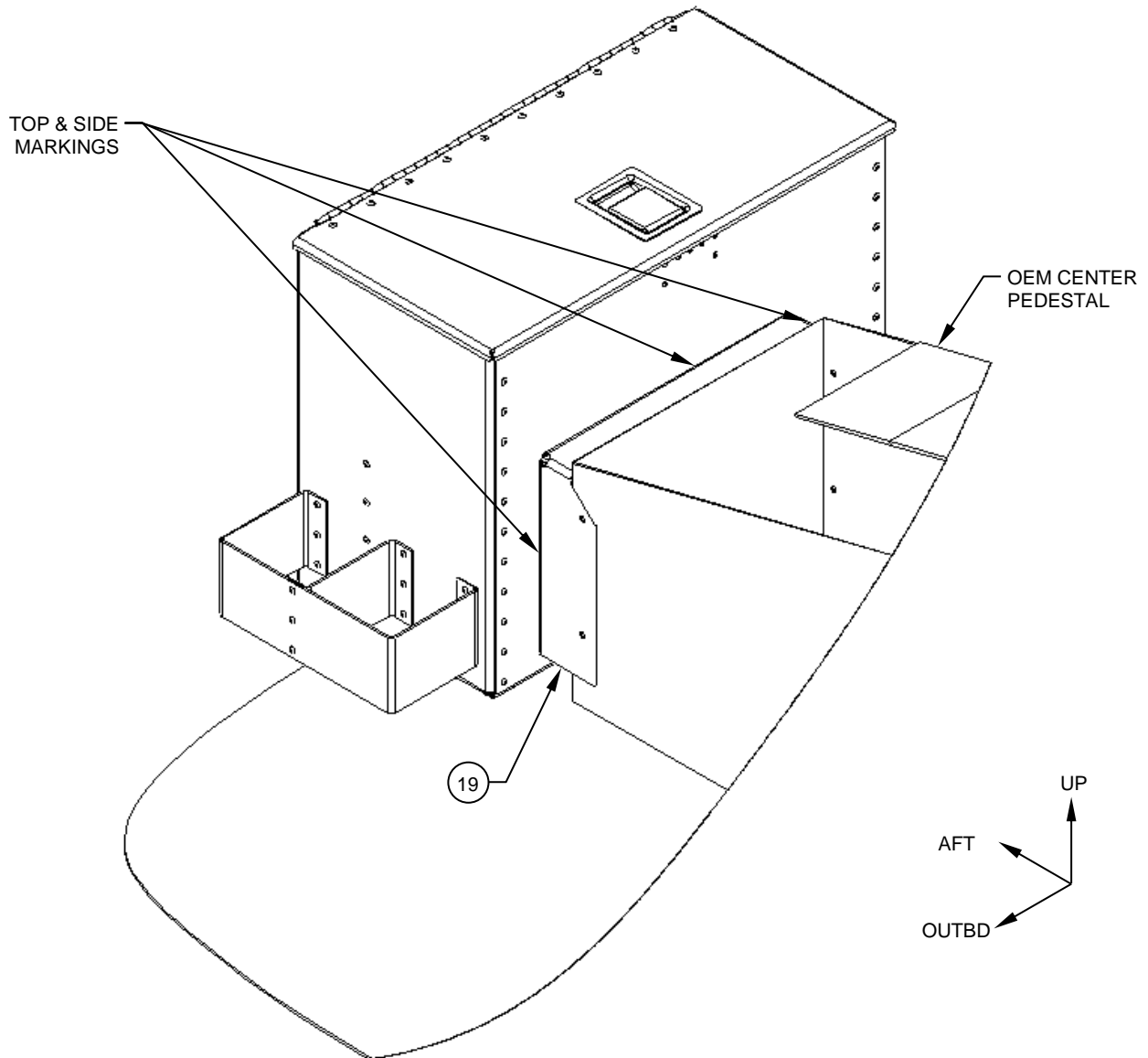


Figure 3
Some Items
Removed for
Clarity

5. Line up the Pedestal Attachment Flange, Detail (Item 19) with the locations marked. Transfer holes 19x & rivet. Reference Figure 4.

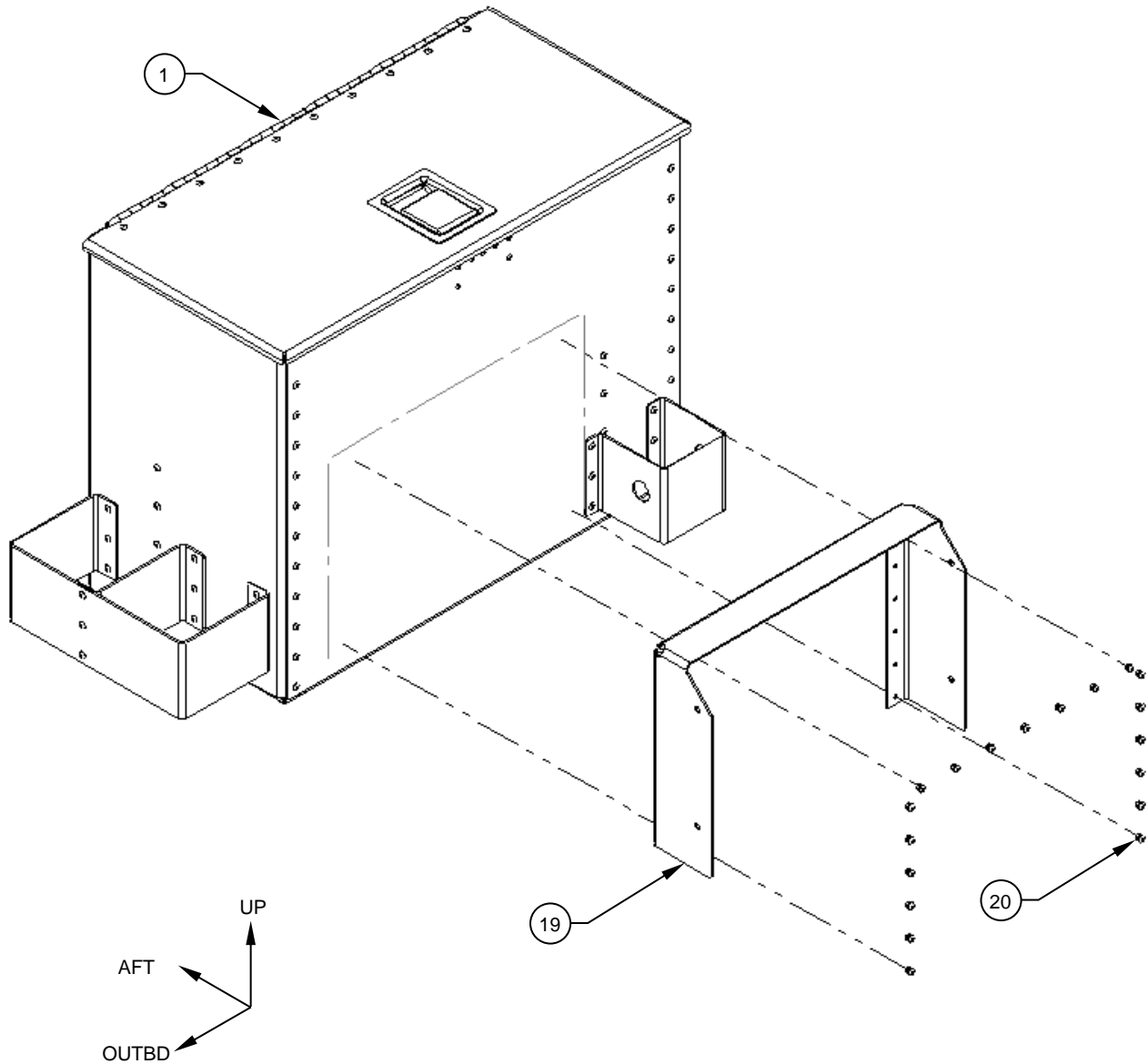


Figure 4
Some Items
Removed for
Clarity

- With the Pedestal Attachment Flange (Item 19) in place, attach the Aft Pedestal Storage Compartment, Assy (Item 1) to the OEM center pedestal. Use back drilled holes in the Aft Pedestal Attachment Flange (Item 19), with associated washers (Item 21) and screws (Item 22). Reference Figure 5.

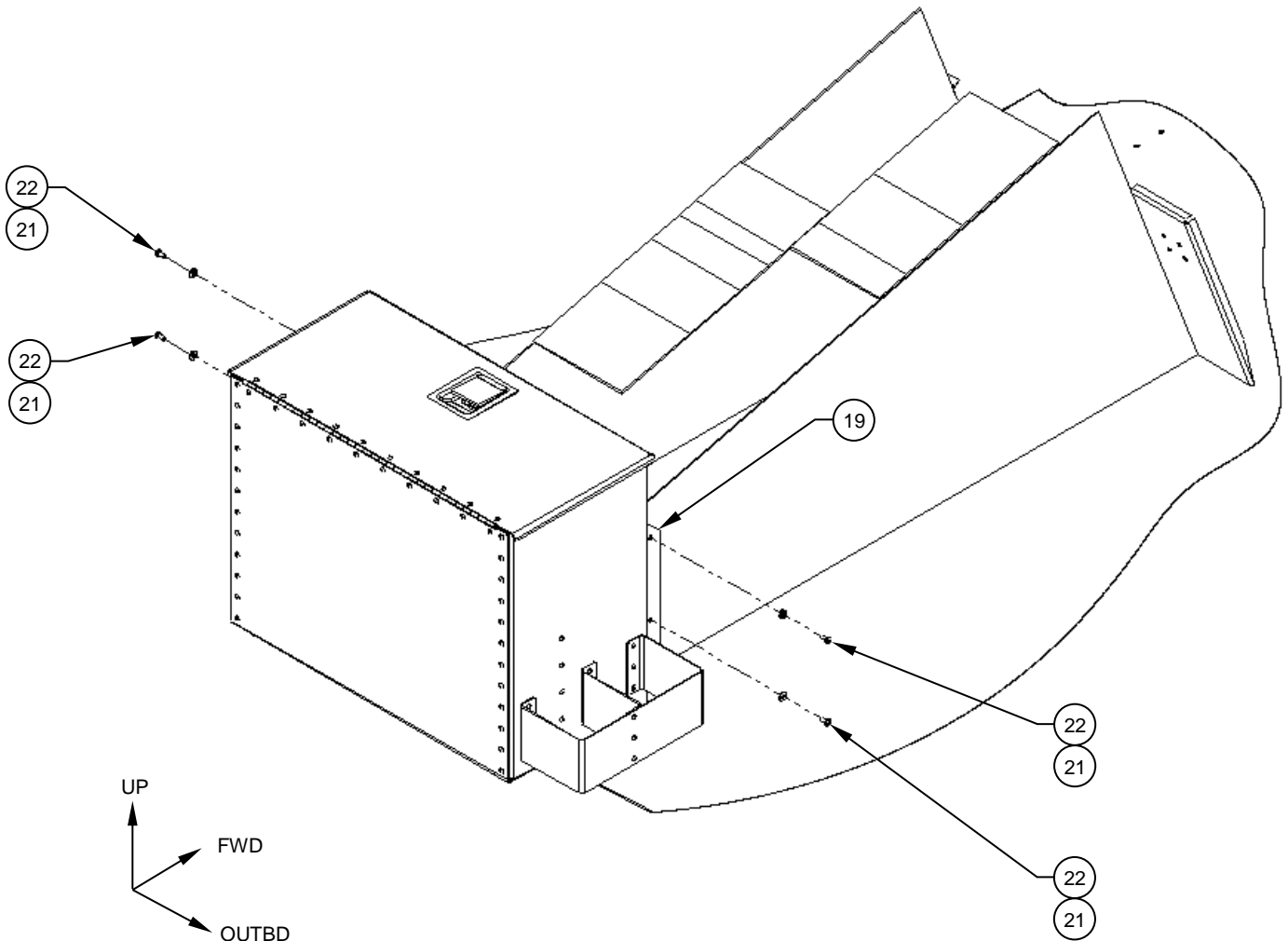


Figure 5
 Some Items
 Removed for
 Clarity

Installation Instructions

7. Installation complete.
8. Perform a General Inspection of all items to ensure proper installation.
9. Update the aircraft logbook for the installation of the Aft Pedestal Stowage Compartment, Assy.

Removal Instructions

1. Remove 4x screws (Item 22), and 4x washers (Item 21) to remove the Pedestal Attachment Flange (Item 19) from the OEM center pedestal. The flange is permanently attached to the Pedestal Stowage Compartment, therefore has no removal instructions.
2. Perform a General Inspection of all items to ensure proper removal.
3. Update the aircraft logbook for the removal of the Aft Pedestal Stowage Compartment, Assy.