

HANDLE ASSY, KIT ILLUSTRATED PARTS BREAKDOWN

MODELS: BELL 205, 212, 214B, 214B-1, 412, 412CF, 412EP



ALPINE AEROTECH LTD.

www.alpineaerotech.com



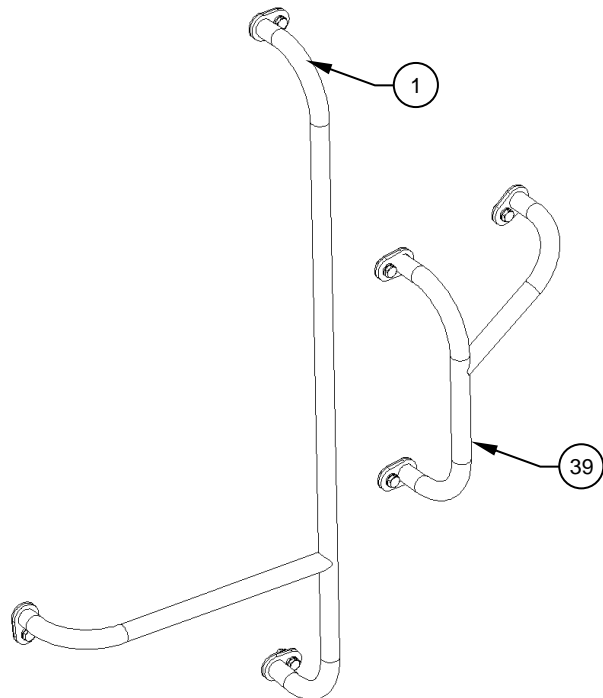
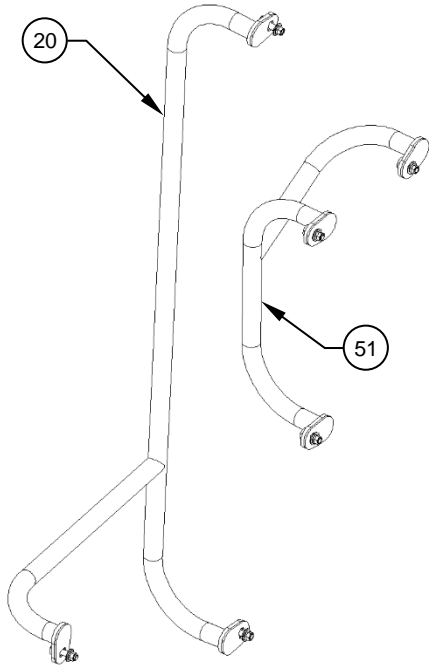
1260 Industrial Road, West Kelowna, B.C., Canada V1Z 1G5

Phone: (250) 769-6344 Fax: (250) 769-6303

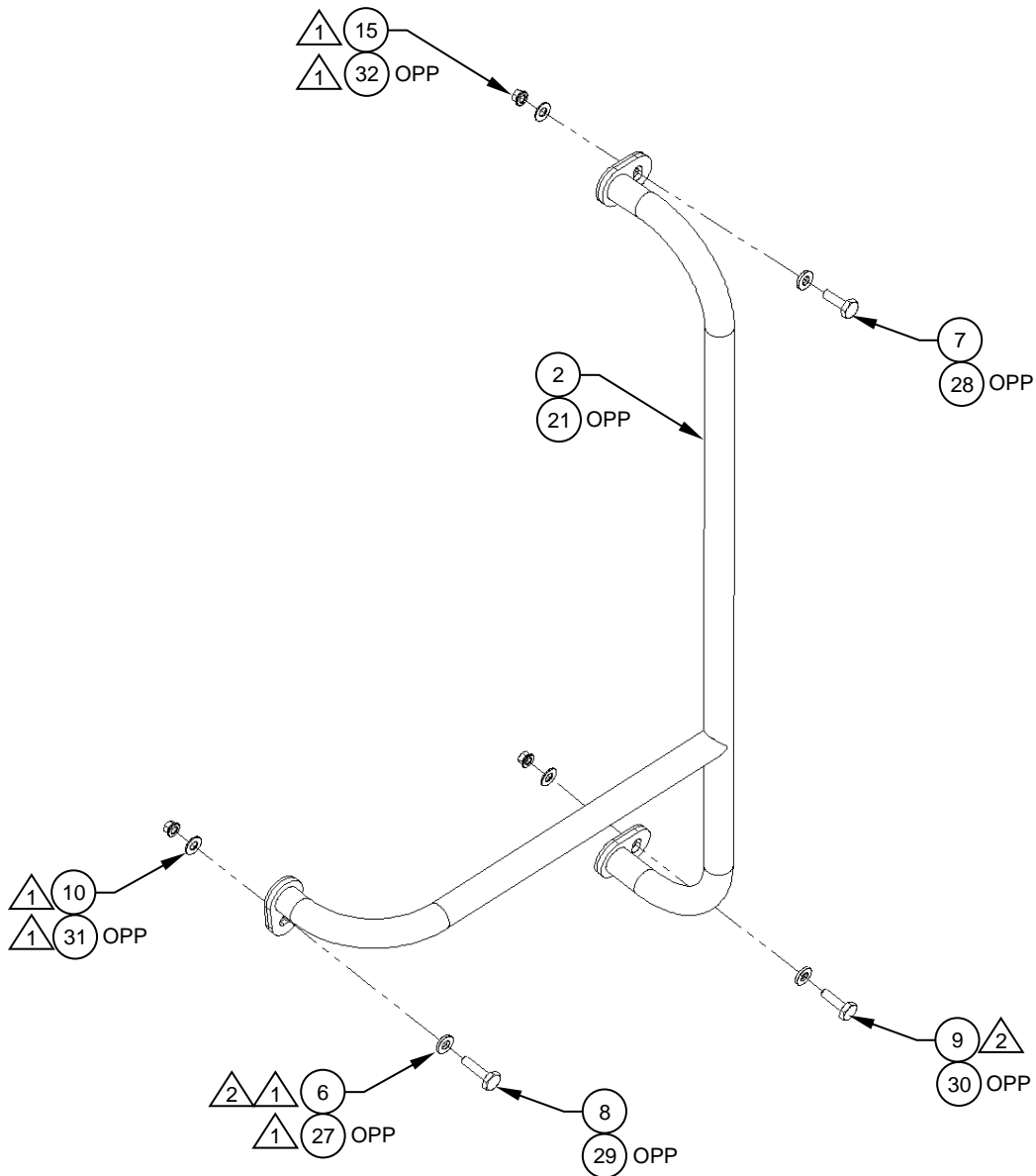
info@alpineaerotech.com

General Notes

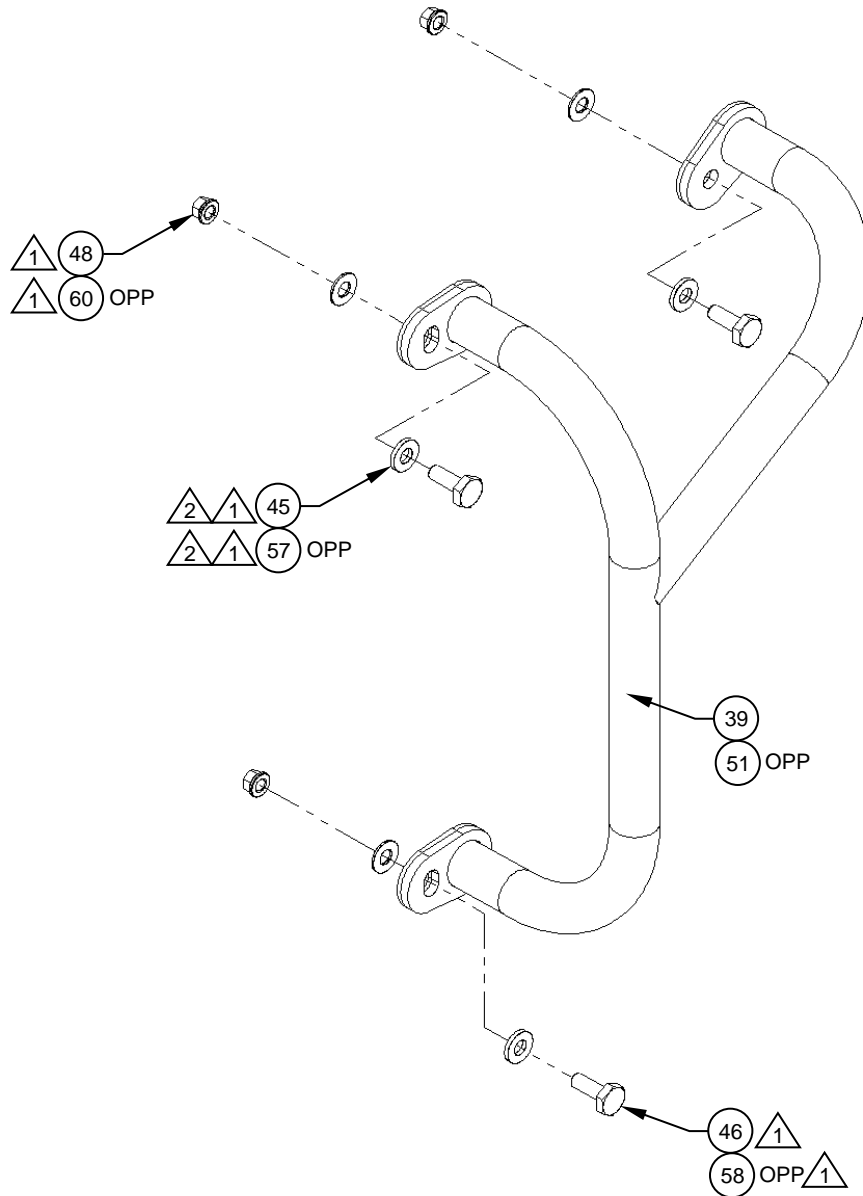
1. Alternate items listed.
 2. If changes to this document are required, Alpine Aerotech Ltd. shall revise all pages and reissue the entire document.
 3. Alpine Aerotech Ltd. shall make any subsequent revisions of this document available upon request.
-
- △₁ Typical item number for all like items in this view unless otherwise specified.
- △₂ Typical item number for all 412 composite door install.
- △₃ Not supplied, procure item locally.



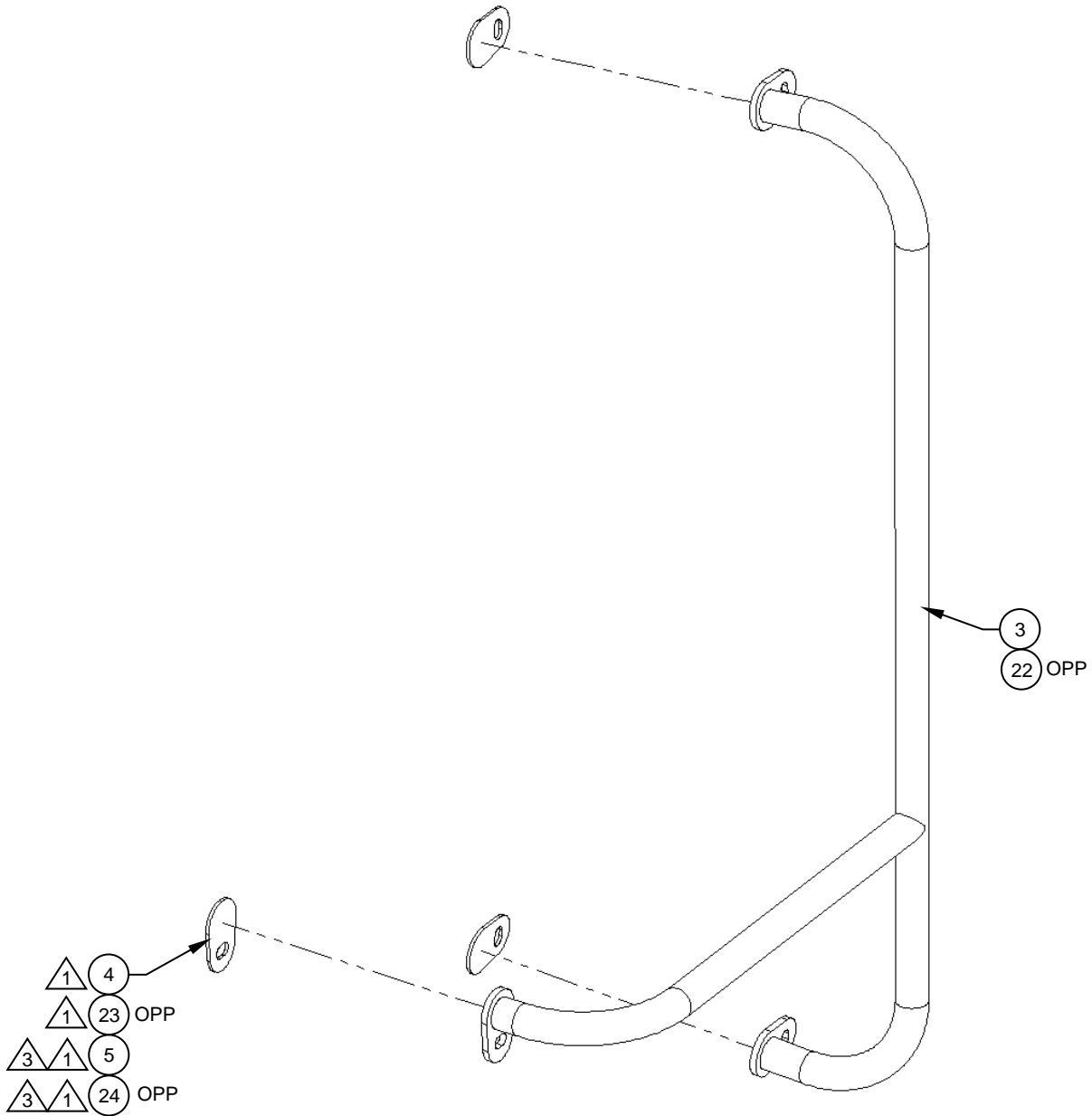
Handle Assy, Kit
Shown



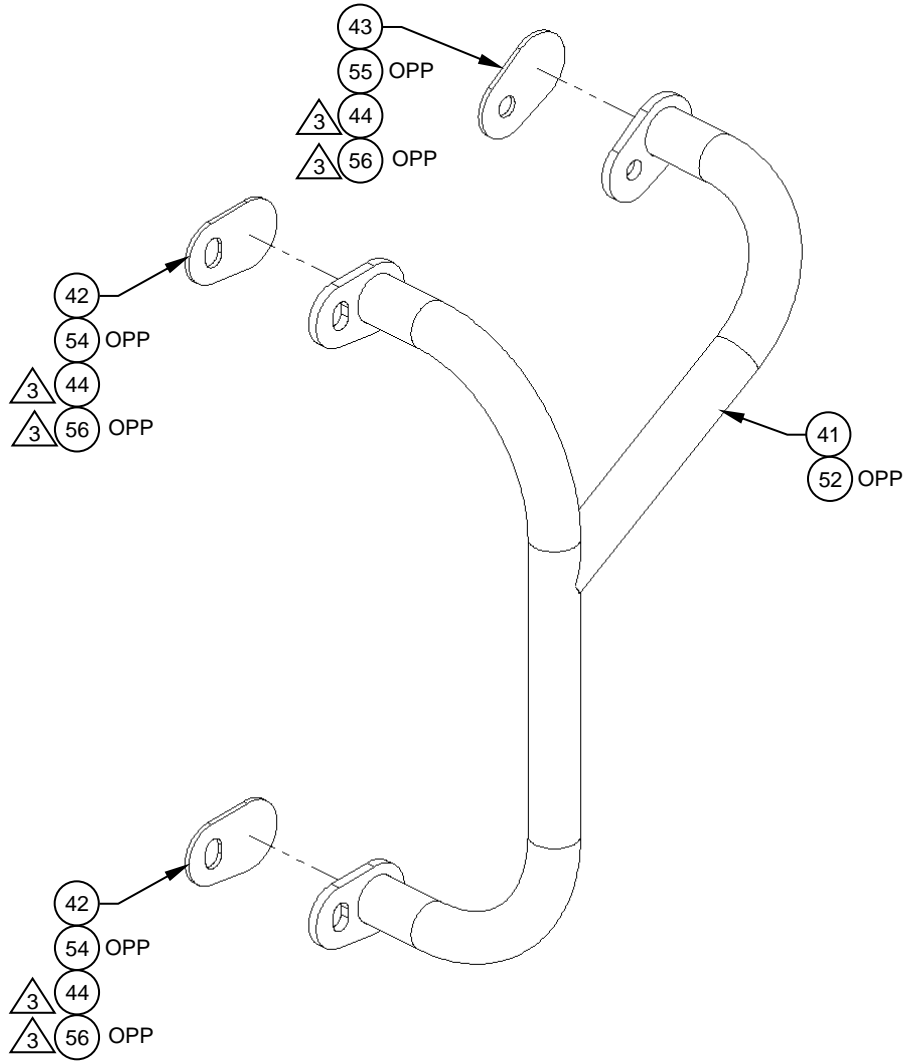
Handle Assy, Kit, LHS FWD
(Item 1) Shown
Handle Assy, Kit, RHS FWD
(Item 20) Opposite



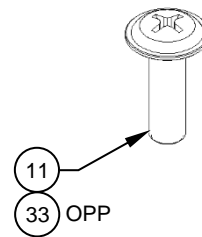
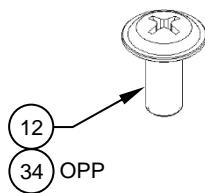
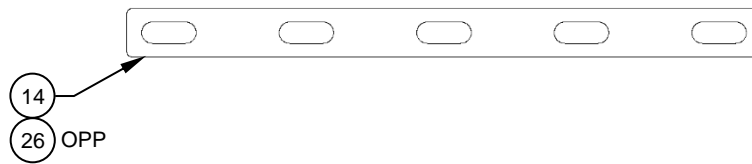
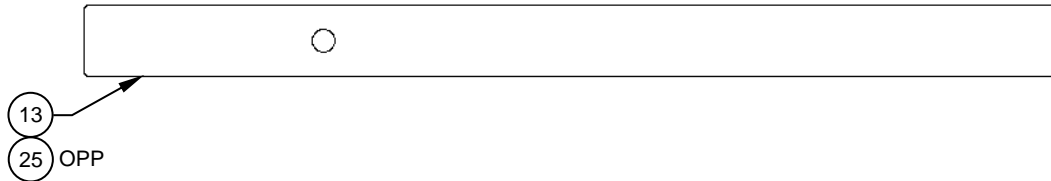
Handle Assy, Kit, LHS AFT
(Item 39) Shown
Handle Assy, Kit, RHS AFT
(Item 52) Opposite

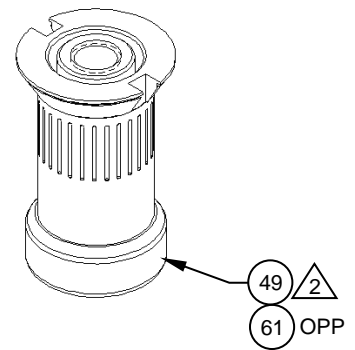
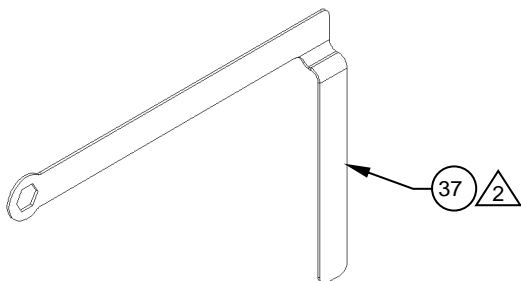
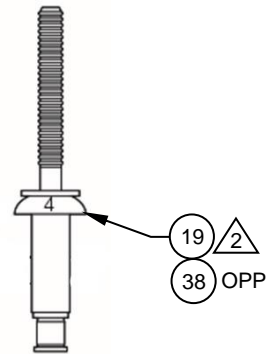
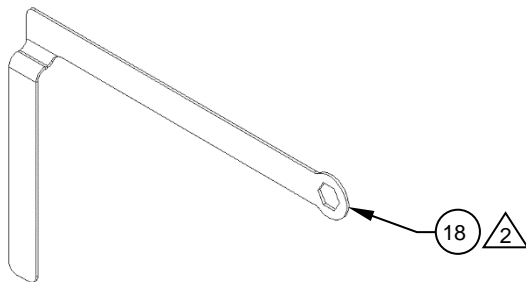
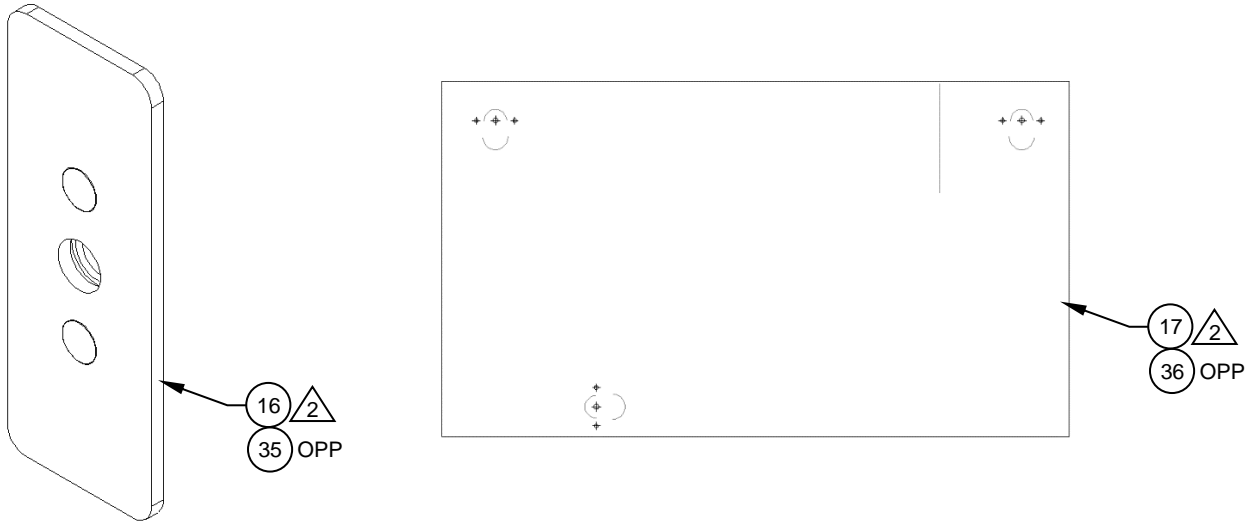


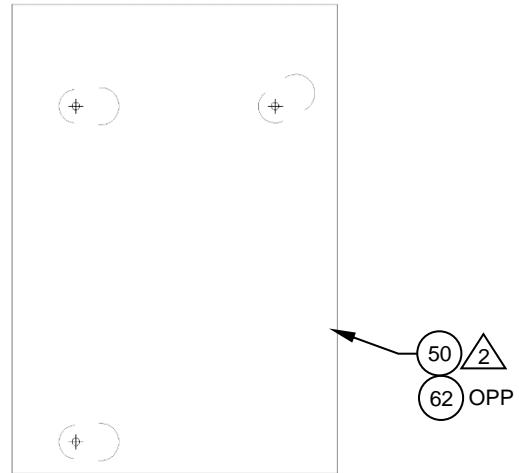
Handle, Assy, LHS FWD
(Item 2) Shown
Handle, Assy, RHS FWD
(Item 21) Opposite



Handle, Assy, LHS AFT
(Item 40) Shown
Handle, Assy, RHS AFT
(Item 53) Opposite









ALPINE AEROTECH LTD.

www.alpineaerotech.com



1260 Industrial Road, Kelowna, B.C., Canada V1Z 1G5
Phone: (250) 769-6344 Fax: (250) 769-6303
admin@alpineaerotech.com

ITEM	QTY	NUMBER	DESCRIPTION	MATERIAL	REF STOCK SIZE	SPEC	FINISH	MANUFACTURER	NCAGEC
-	-	AAL-290-050-901	HANDLE ASSY, KIT	C/O SHADED ITEMS ONLY					
1	1	AAL-290-050-001	HANDLE, ASSY	NA	NA	NA	NA	ALPINE AEROTECH LTD.	L0171
2	1	AAL-290-051-001	HANDLE, ASSY	NA	NA	NA	NA	ALPINE AEROTECH LTD.	L0171
3	1	AAL-290-051-005	HANDLE, ASSY	NA	NA	NA	NA	ALPINE AEROTECH LTD.	L0171
4	3	AAL-290-052-008	GASKET, DETAIL	NA	NA	NA	NA	ALPINE AEROTECH LTD.	L0171
3	1	3145 RTV, GRAY	ADHESIVE/SEALANT	3145 RTV, GRAY	SEE MFR	MIL-A-46146	GRAY	DOW CORNING CORP.	71984
6	3	NAS1149F0363P	WASHER, FLAT	SEE SPEC	SEE SPEC	NAS1149	SEE SPEC	SOURCE AS REQUIRED	NA
7	1	AN3-10A	BOLT, MACHINE	SEE SPEC	SEE SPEC	NASM3THRU20	SEE SPEC	SOURCE AS REQUIRED	NA
8	1	AN3-7A	BOLT, MACHINE	SEE SPEC	SEE SPEC	NASM3THRU20	SEE SPEC	SOURCE AS REQUIRED	NA
2	3	AN3-6A	BOLT, MACHINE	SEE SPEC	SEE SPEC	NASM3THRU20	SEE SPEC	SOURCE AS REQUIRED	NA
10	10	NAS1149F0332P	WASHER, FLAT	SEE SPEC	SEE SPEC	NAS1149	SEE SPEC	SOURCE AS REQUIRED	NA
11	7	AN525-10R10	SCREW, WASHER HEAD	SEE SPEC	SEE SPEC	NASM525	SEE SPEC	SOURCE AS REQUIRED	NA
12	5	AN525-10R7	SCREW, WASHER HEAD	SEE SPEC	SEE SPEC	NASM525	SEE SPEC	SOURCE AS REQUIRED	NA
13	1	AAL-290-052-010	DOUBLER, DETAIL	NA	NA	NA	NA	ALPINE AEROTECH LTD.	L0171
14	1	AAL-290-052-011	SPACER, DETAIL	NA	NA	NA	NA	ALPINE AEROTECH LTD.	L0171
15	10	NAS9926-3L	NUT, SELF LOCKING	SEE SPEC	SEE SPEC	NAS9926	SEE SPEC	SOURCE AS REQUIRED	NA
2	3	AAL-290-051-009	DOUBLER, ASSY	NA	NA	NA	NA	ALPINE AEROTECH LP	L0171
2	1	AAL-290-052-016	TEMPLATE, DETAIL	NA	NA	NA	NA	NA	NA
2	1	AAL-290-052-013	WRENCH, DETAIL, LHS	NA	NA	NA	NA	ALPINE AEROTECH LP	L0171
2	6	CR3213-4-02	RIVET, CHERRYMAX	SEE SPEC	SEE SPEC	SEE MFR	SEE SPEC	TEXTRON FASTENING SYSTEMS	93097
20	1	AAL-290-050-002	HANDLE, ASSY, RHS FWD	NA	NA	NA	NA	ALPINE AEROTECH LTD.	L0171
21	1	AAL-290-051-002	HANDLE, ASSY, RHS FWD	NA	NA	NA	NA	ALPINE AEROTECH LTD.	L0171
22	1	AAL-290-051-006	HANDLE, ASSY	NA	NA	NA	NA	ALPINE AEROTECH LTD.	L0171
23	3	AAL-290-052-008	GASKET, DETAIL	NA	NA	NA	NA	ALPINE AEROTECH LTD.	L0171
3	1	3145 RTV, GRAY	ADHESIVE/SEALANT	3145 RTV, GRAY	SEE MFR	MIL-A-46146	GRAY	DOW CORNING CORP.	71984
25	1	AAL-290-052-010	DOUBLER, DETAIL	NA	NA	NA	NA	ALPINE AEROTECH LTD.	L0171
26	1	AAL-290-052-011	SPACER, DETAIL	NA	NA	NA	NA	ALPINE AEROTECH LTD.	L0171
27	3	NAS1149F0363P	WASHER, FLAT	SEE SPEC	SEE SPEC	NAS1149	SEE SPEC	SOURCE AS REQUIRED	NA
28	1	AN3-10A	BOLT, MACHINE	SEE SPEC	SEE SPEC	NASM3THRU20	SEE SPEC	SOURCE AS REQUIRED	NA



ALPINE AEROTECH LTD.

www.alpineaerotech.com



1260 Industrial Road, Kelowna, B.C., Canada V1Z 1G5
 Phone: (250) 769-6344 Fax: (250) 769-6303
 admin@alpineaerotech.com

ITEM	QTY	NUMBER	DESCRIPTION	MATERIAL	REF STOCK SIZE	SPEC	FINISH	MANUFACTURER	NCAGEC
-	-	AAL-290-050-901	HANDLE ASSY, KIT	C/O SHADED ITEMS ONLY					
29	1	AN3-7A	BOLT, MACHINE	SEE SPEC	SEE SPEC	NASM3THRU20	SEE SPEC	SOURCE AS REQUIRED	NA
30	3	AN3-6A	BOLT, MACHINE	SEE SPEC	SEE SPEC	NASM3THRU20	SEE SPEC	SOURCE AS REQUIRED	NA
31	10	NAS1149F0332P	WASHER, FLAT	SEE SPEC	SEE SPEC	NAS1149	SEE SPEC	SOURCE AS REQUIRED	NA
32	10	NAS9926-3L	NUT, SELF LOCKING	SEE SPEC	SEE SPEC	NAS9926	SEE SPEC	SOURCE AS REQUIRED	NA
33	7	AN525-10R10	SCREW, WASHER HEAD	SEE SPEC	SEE SPEC	NASM525	SEE SPEC	SOURCE AS REQUIRED	NA
34	5	AN525-10R7	SCREW, WASHER HEAD	SEE SPEC	SEE SPEC	NASM525	SEE SPEC	SOURCE AS REQUIRED	NA
35	3	AAL-290-051-009	DOUBLER, ASSY	NA	NA	NA	NA	ALPINE AEROTECH LP	L0171
36	1	AAL-290-052-016	TEMPLATE, DETAIL	NA	NA	NA	NA	NA	NA
37	1	AAL-290-052-014	WRENCH, DETAIL, RHS	NA	NA	NA	NA	ALPINE AEROTECH LP	L0171
38	6	CR3213-4-02	RIVET, CHERRYMAX	SEE SPEC	SEE SPEC	SEE MFR	SEE SPEC	TEXTRON FASTENING SYSTEMS	93097
39	1	AAL-290-050-003	HANDLE, ASSY	NA	NA	NA	NA	ALPINE AEROTECH LTD.	L0171
40	1	AAL-290-051-003	HANDLE, ASSY	NA	NA	NA	NA	ALPINE AEROTECH LTD.	L0171
41	1	AAL-290-051-007	HANDLE, ASSY	NA	NA	NA	NA	ALPINE AEROTECH LTD.	L0171
42	2	AAL-290-052-008	GASKET, DETAIL	NA	NA	NA	NA	ALPINE AEROTECH LTD.	L0171
43	1	AAL-290-052-004	GASKET, DETAIL	NA	NA	NA	NA	ALPINE AEROTECH LTD.	L0171
44	1	3145 RTV, GRAY	ADHESIVE/SEALANT	3145 RTV, GRAY	SEE MFR	MIL-A-46146	GRAY	DOW CORNING CORP.	71984
45	6	NAS1149F0363P	WASHER, FLAT	SEE SPEC	SEE SPEC	NAS1149	SEE SPEC	SOURCE AS REQUIRED	NA
46	3	AN3-5A	BOLT, MACHINE	SEE SPEC	SEE SPEC	NASM3THRU20	SEE SPEC	SOURCE AS REQUIRED	NA
47	-	## ITEM NUMBER NOT USED ##							
48	3	NAS9926-3L	NUT, SELF LOCKING	SEE SPEC	SEE SPEC	NAS9926	SEE SPEC	SOURCE AS REQUIRED	NA
49	3	80-005-2(- THRU E)(10THRU 14)	INSERT, DETAIL	SEE SPEC	SEE SPEC	SEE SPEC	80-005	BHT	97499
50	1	AAL-290-052-015	TEMPLATE, DETAIL	NA	NA	NA	NA	NA	NA
51	1	AAL-290-050-004	HANDLE, ASSY	NA	NA	NA	NA	ALPINE AEROTECH LTD.	L0171
52	1	AAL-290-051-004	HANDLE, ASSY	NA	NA	NA	NA	ALPINE AEROTECH LTD.	L0171
53	1	AAL-290-051-008	HANDLE, ASSY	NA	NA	NA	NA	ALPINE AEROTECH LTD.	L0171
54	2	AAL-290-052-008	GASKET, DETAIL	NA	NA	NA	NA	ALPINE AEROTECH LTD.	L0171
55	1	AAL-290-052-004	GASKET, DETAIL	NA	NA	NA	NA	ALPINE AEROTECH LTD.	L0171



ALPINE AEROTECH LTD.

www.alpineaerotech.com



1260 Industrial Road, Kelowna, B.C., Canada V1Z 1G5
Phone: (250) 769-6344 Fax: (250) 769-6303
admin@alpineaerotech.com

ITEM	QTY	NUMBER	DESCRIPTION	MATERIAL	REF	STOCK SIZE	SPEC	FINISH	MANUFACTURER	NCAGEC
-	-	AAL-290-050-901	HANDLE ASSY, KIT	C/O SHADED ITEMS ONLY						
△3	56	1	3145 RTV, GRAY	ADHESIVE/SEALANT	3145 RTV, GRAY	SEE MFR	MIL-A-46146	GRAY	DOW CORNING CORP.	71984
	57	6	NAS1149F0363P	WASHER, FLAT	SEE SPEC	SEE SPEC	NAS1149	SEE SPEC	SOURCE AS REQUIRED	NA
	58	3	AN3-5A	BOLT, MACHINE	SEE SPEC	SEE SPEC	NASM3THRU20	SEE SPEC	SOURCE AS REQUIRED	NA
	59	-	## ITEM NUMBER NOT USED ##							
	60	3	NAS9926-3L	NUT, SELF LOCKING	SEE SPEC	SEE SPEC	NAS9926	SEE SPEC	SOURCE AS REQUIRED	NA
△2	61	3	80-005-2(- THRU E)(10THRU 14)	INSERT, DETAIL	SEE SPEC	SEE SPEC	SEE SPEC	80-005	BHT	97499
△2	62	1	AAL-290-052-015	TEMPLATE, DETAIL	NA	NA	NA	NA	NA	NA