

**EXHAUST DEFLECTOR, ASSY
ILLUSTRATED PARTS BREAKDOWN**

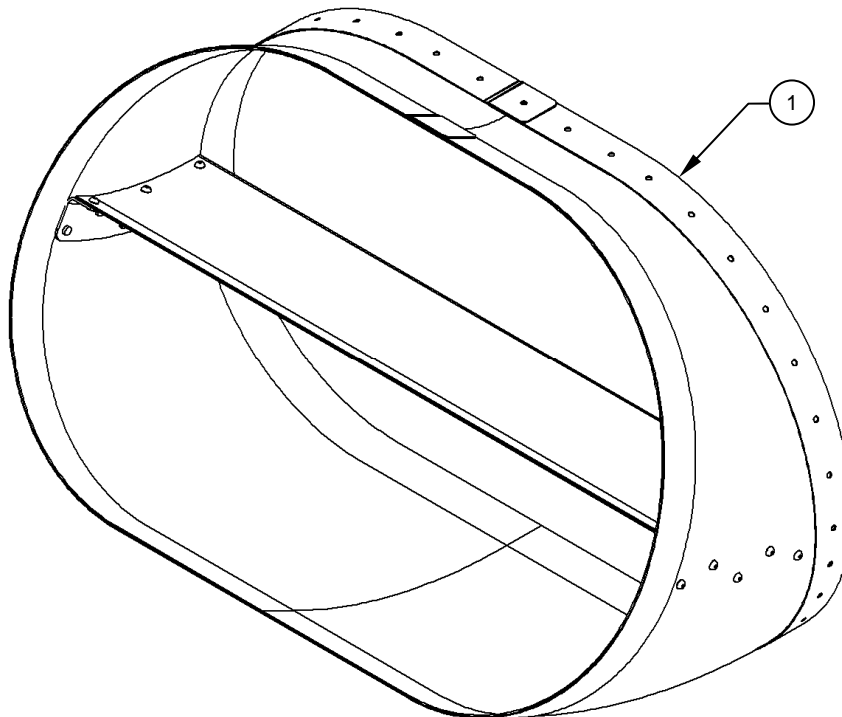
MODELS: BELL 212, 412, 412EP & 412CF

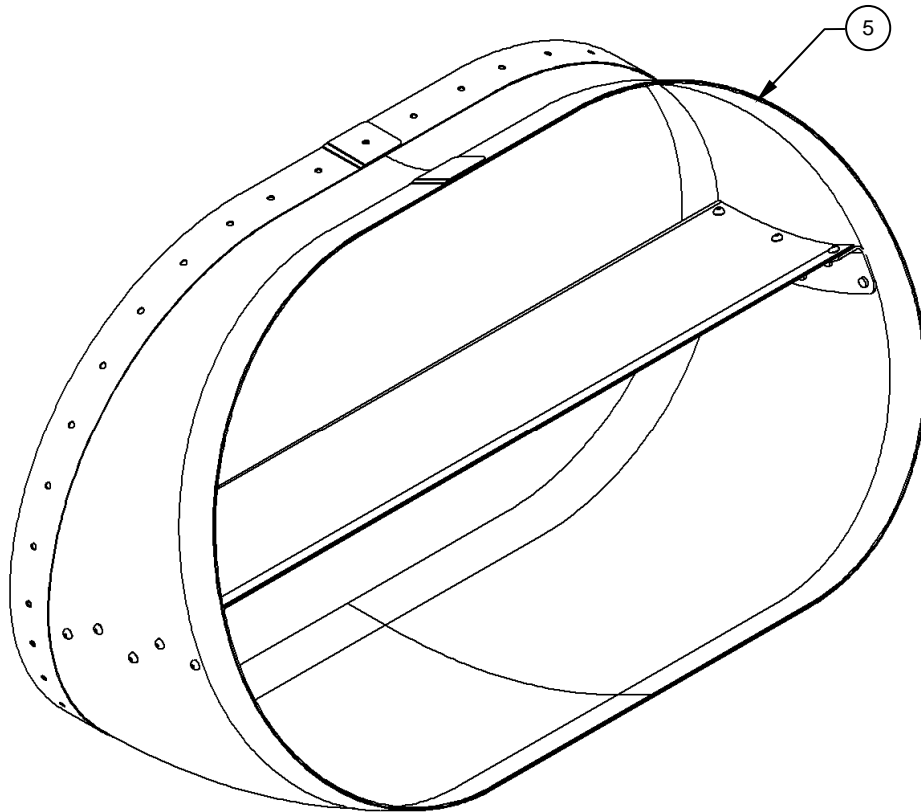


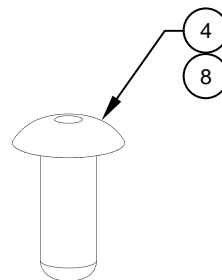
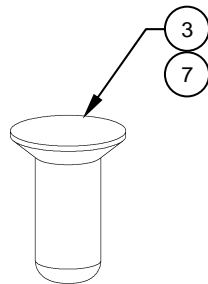
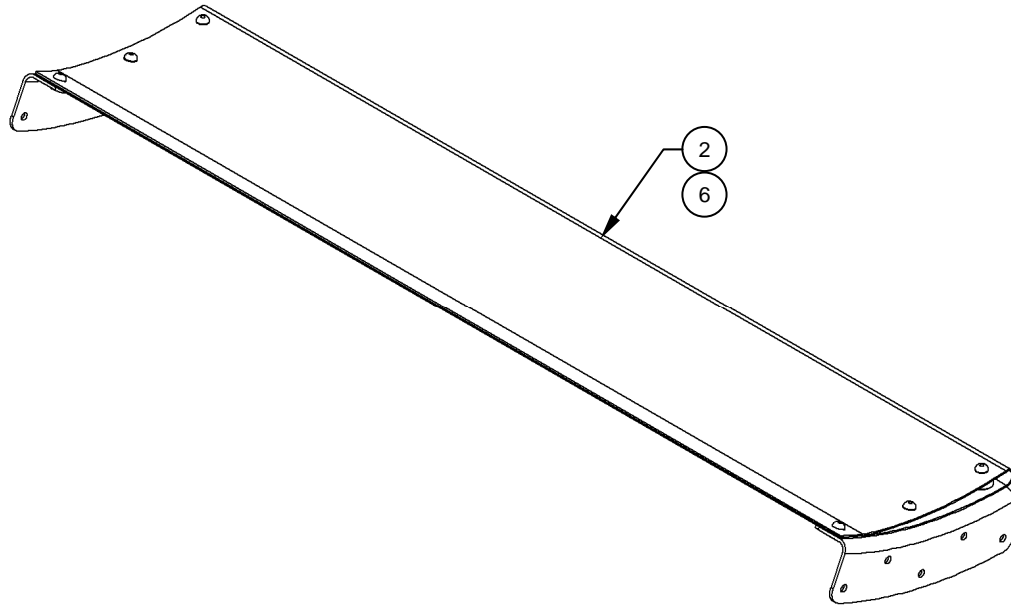
General Notes

1. Alternates shown for applicable items.
 2. If changes to this document are required, Alpine Aerotech Ltd. shall revise all pages and reissue the entire document.
 3. Alpine Aerotech Ltd. shall make any subsequent revisions of this document available free of charge upon request. Alpine Aerotech Ltd. also recommends that the end user of this product periodically verify the revision level of this document.
- ⚠ Rivet length is to be determined in accordance with standard aircraft practices. Refer to the current revisions of FAA publication AC 43.13-1B and AC 43.13-2B for details on standard aircraft practices.

Illustrated Parts Breakdown









ALPINE AEROTECH LTD.

www.alpineaerotech.com



1260 Industrial Road, Kelowna, B.C., Canada V1Z 1G5

Phone: (250) 769-6344 Fax: (250) 769-6303

admin@alpineaerotech.com

ITEM	QTY	PART NUMBER	DESCRIPTION	MATERIAL/MFR	MATERIAL SIZE	MATERIAL SPEC	CAGEC
-	-		EXHAUST DEFLECTOR, ASSY INSTALLATION	C/O ITEMS 1-2			
1	1	AAL-061-203-001	EXHAUST DEFLECTOR, ASSY LHS	ALPINE AEROTECH LTD.			L0171
2	1	AAL-061-203-003	>VANE, ASSY	ALPINE AEROTECH LTD.			L0171
1	40	MS20427M	>RIVET, FLUSH HEAD	SOURCE AS REQUIRED		NASM20427	NA
1	10	MS20615M	>RIVET, UNIVERSAL HEAD	SOURCE AS REQUIRED		NASM20615	NA
5	1	AAL-061-203-002	EXHAUST DEFLECTOR, ASSY RHS	ALPINE AEROTECH LTD.			L0171
6	1	AAL-061-203-003	>VANE, ASSY	ALPINE AEROTECH LTD.			L0171
1	40	MS20427M	>RIVET, FLUSH HEAD	SOURCE AS REQUIRED		NASM20427	NA
1	10	MS20615M	>RIVET, UNIVERSAL HEAD	SOURCE AS REQUIRED		NASM20615	NA