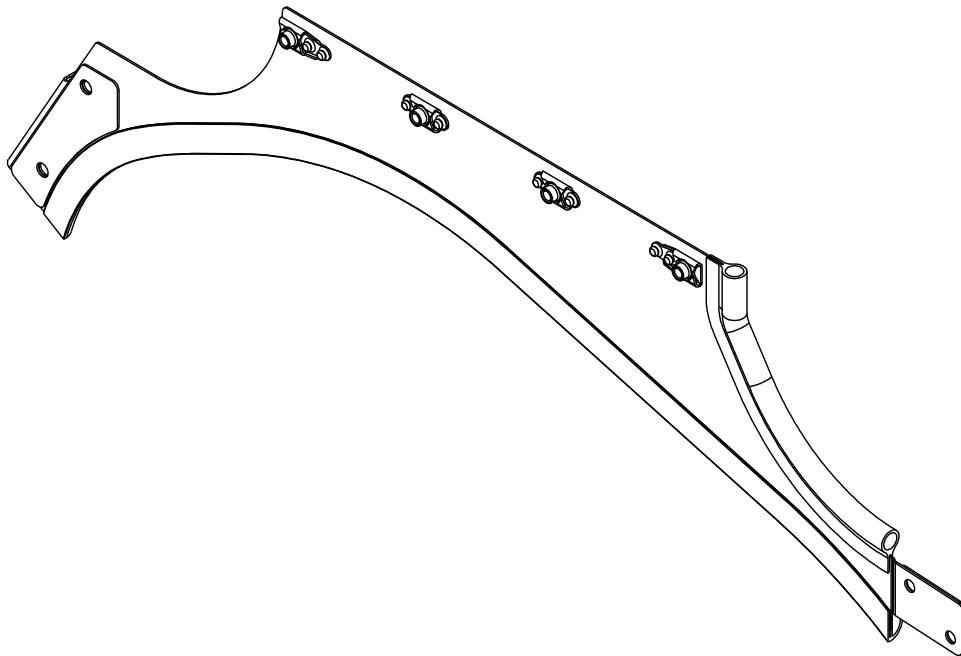




ALPINE AEROTECH LP
www.alpineaerotech.com



1260 Industrial Road, West Kelowna, B.C., Canada V1Z 1G5
Phone: (250) 769-6344 Fax: (250) 769-6303
info@alpineaerotech.com



INDUCTION BAFFLE WEB INSTALLATION INSTRUCTIONS

MODELS: BELL 212, 412, 412CF & 412EP



Read all of the installation instructions thoroughly
prior to the installation of this product



Weight & Balance

<u>Part Number</u>	<u>Description</u>	<u>Weight</u>	<u>Long. Arm</u>	<u>Lat. Arm</u>
AAL-253-041-001	Web, Assy, LHS	-0.18*	169.72	2.66†
		-0.08 (Kg)	4.31 (m)	.07 (m)
AAL-253-041-002	Web, Assy, RHS	-0.18*	169.72	2.66†
		-0.08 (Kg)	4.31 (m)	.07 (m)

- * Total decrease in weight to aircraft.
- † When LHS and RHS Web, Assy are installed Lat. Arm is 0.00.

General Notes

1. All Installation Instructions shall be accomplished in accordance with (IAW) standard aircraft practices. Refer to the current revision of the FAA manuals AC 43.13-1B and AC 43.13-2B for details on standard aircraft practices.
2. All Fasteners shall be torqued to standard aircraft specifications. Refer to the current revision of the FAA manuals AC 43.13-1B and AC 43.13-2B for details on standard torque specifications.
3. All Dimensions are in imperial measures (inches/pounds).
4. Refer to the current revision of BHT-212-MM and/or BHT-412-MM for instructions on continuing airworthiness for the item(s) referenced within this document.
5. If changes to this document are required, Alpine Aerotech LP shall revise all pages and reissue the entire document.
6. Alpine Aerotech LP shall make any subsequent revisions of this document available upon request.

Installation Notes

- 1 Remove and replace existing aircraft item (212-061-207-153/-287 LHS) with AAL-253-041-001.
- 2 Remove and replace existing aircraft item (212-061-207-154/-288 RHS) with AAL-253-041-002.
- 3 Reuse existing aircraft item.



Installation Instructions

1. Gain access to the existing Web.
2. Temporarily remove the existing hardware common to the existing Web. Reference Figure 1.

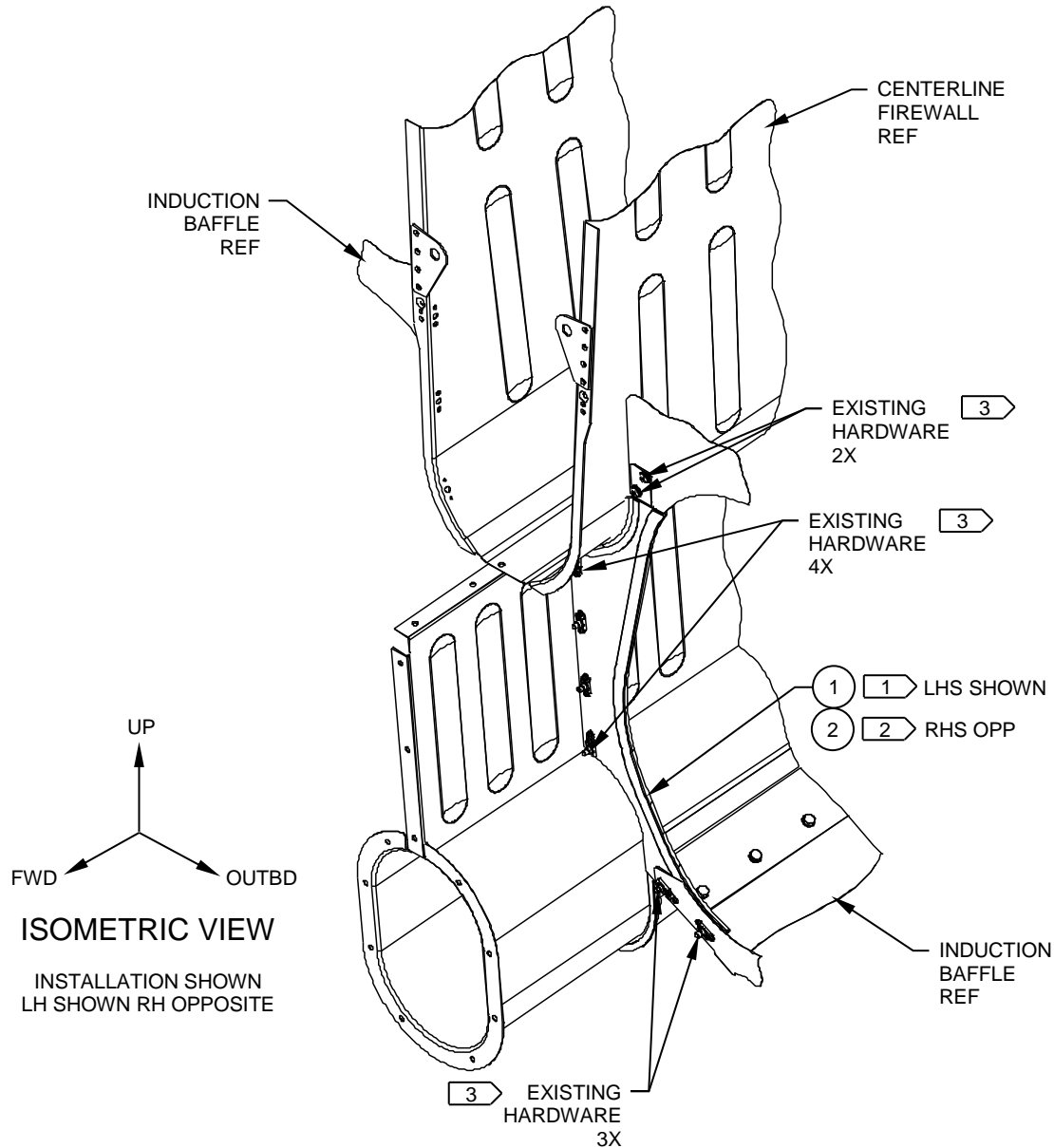


Figure 1

3. Remove and discard the existing web. Reference Figure 1 and Pennant Note 1.



Installation Instructions

4. Prepare the Centerline Firewall/Induction Baffle by removing any residual gasket material, dirt, etc. as required and wipe the mating surfaces clean. Reference Figures 1 & 2.

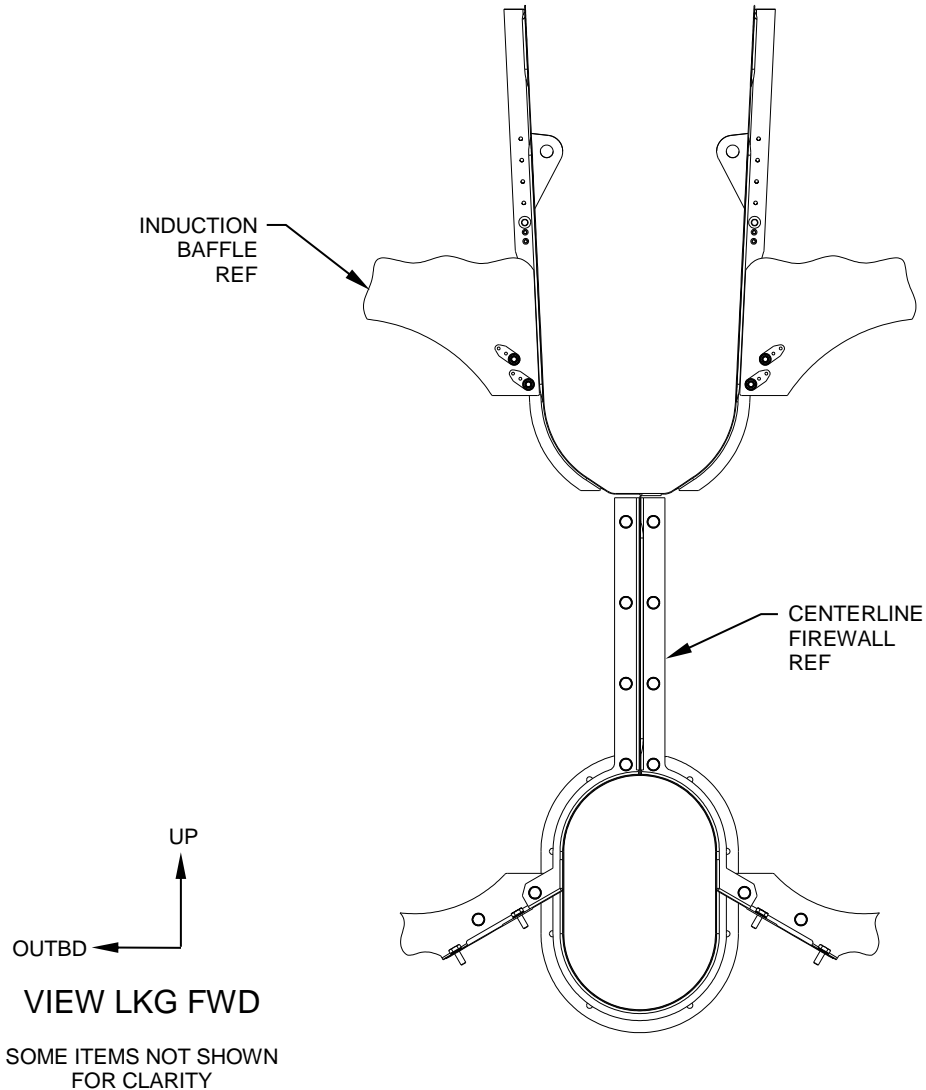


Figure 2



Installation Instructions

5. Install the Web, Assy (Item 1 and/or 2) re-using the existing hardware. Reference Figures 1.
6. Installation complete.
7. Perform a General Inspection of all items to ensure proper installation.
8. Update the aircraft logbook for the installation of the Web, Assy (Item 1 and/or 2).