

	Transport Canada
Design Approval Representative No. 326	
APPROVED	
By	
Date	2016-07-28
For	
Appr'l No.	SH16-36
Issue No.	1
YY-MM-DD	

## **BAGGAGE COMPARTMENT, PROTECTION, KIT INSTALLATION INSTRUCTIONS**

**MODELS: BELL 205A-1, 212, 412, 412EP**

Read all of the Installation Instructions thoroughly  
prior to performing any activities relating to this product



---

## **Table of Contents**

<u>Section</u>	<u>Description</u>	<u>Page</u>
1	Description	2
2	Installation Instructions	3

## **Notes**

1. If changes to this document are required, Alpine Aerotech Ltd. shall revise all pages and reissue the entire document.
2. Alpine Aerotech Ltd. shall make any subsequent revisions of this document available free of charge upon request. Alpine Aerotech Ltd. also recommends that the end user of this product periodically verify the revision level of this document.

## **Section 1: Description**

The following information provides a functional description of the Baggage Compartment, Protector, Kit as defined in Alpine Aerotech Ltd. authority dataset AAL-221-050-001.

- Due to loading and unloading requirements of the tailboom baggage compartment, the honeycomb panels can be damaged beyond acceptable limits.
- The Baggage Compartment, Protector, Kit when installed is designed to absorb and spread any point loading so as to mitigate any potential damage.



## **Section 2: Installation Instructions**

### **Weight & Balance**

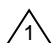
<u>Part Number</u>	<u>Description</u>	<u>Weight</u>	<u>Long. Arm</u>	<u>Lat. Arm</u>
AAL-221-050-001	Baggage Compartment, Protector, Kit	19.42*	310.521	1.758 LBL
		8.80 (Kg)	7.887(m)	.044 LBL (m)

\* Total increase in weight to aircraft.

### **General Notes**

1. All Installation Instructions shall be accomplished in accordance with (IAW) standard aircraft practices. Refer to the current revision of the FAA manuals AC 43.13-1B and AC 43.13-2B for details on standard aircraft practices.
2. All Fasteners shall be torqued to standard aircraft specifications, unless otherwise specified. Refer to the current revision of the FAA manuals AC 43.13-1B and AC 43.13-2B for details on standard torque specifications.
3. All Dimensions are in imperial measures (inches/pounds).
4. Refer to Section 2: Maintenance Instructions for instructions on maintenance for the item(s) referenced within this section.
5. Refer to the Illustrated Parts Breakdown located in the Instructions for Continuing Airworthiness (AAL-221-055-701) for the part numbers of the item(s) referenced within this section.
6. Adhesive (Item 10) is not supplied. Procure Locally.

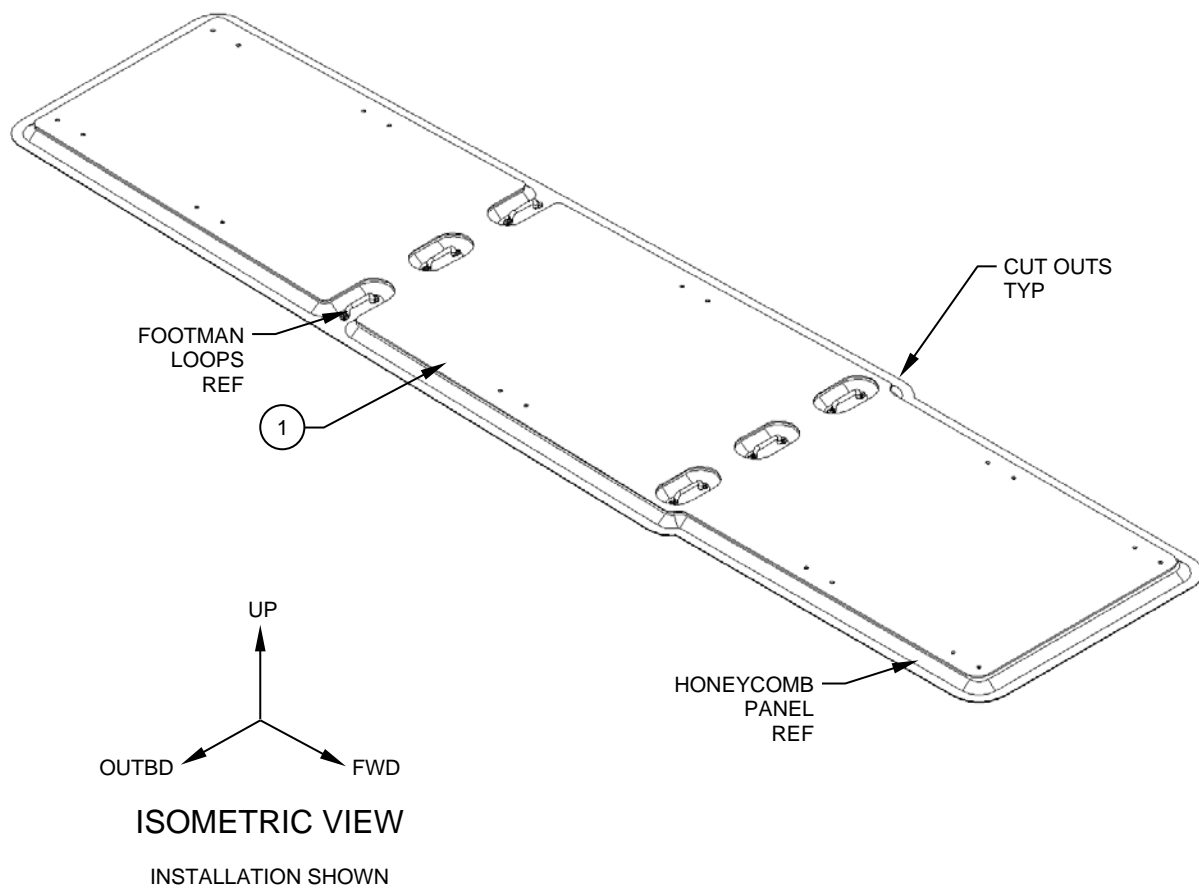
### **Installation Notes**

 Typical item number for all like items in this view unless otherwise specified.



### Installation Instructions

1. Pre-fit the Floor Panel, Assy (Item 1) by lining up the oval cut outs with the recesses in the honeycomb panel that contain the footman loops. Reference Figure 1.

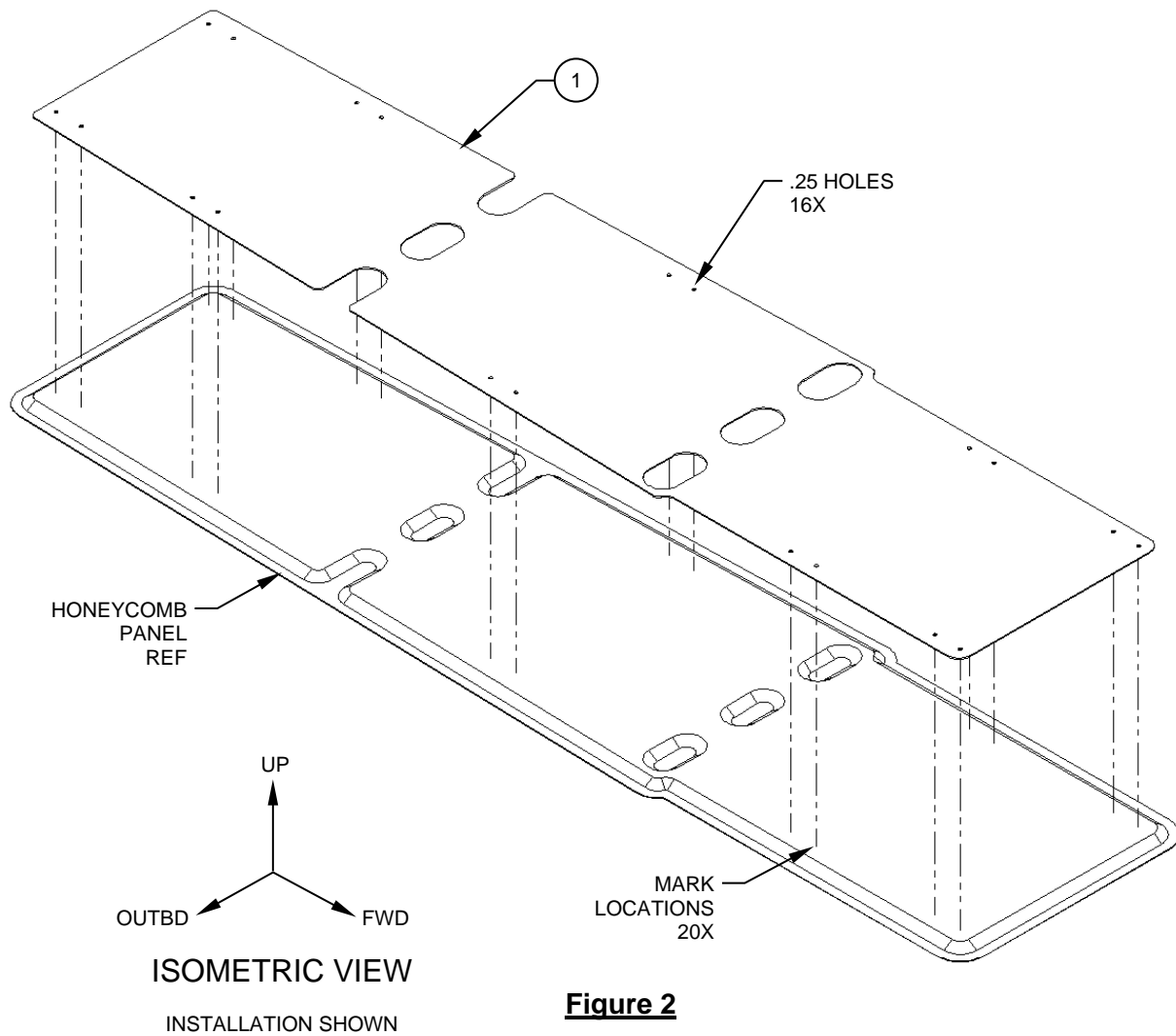


**Figure 1**



**Installation Instructions**

2. With the panel lined up use the pre-cut .25 holes and a felt pen to mark out the locations for the Velcro®, Details (Items 15, 16 & 17) and remove the panel (Item 1). Reference Figure 2.

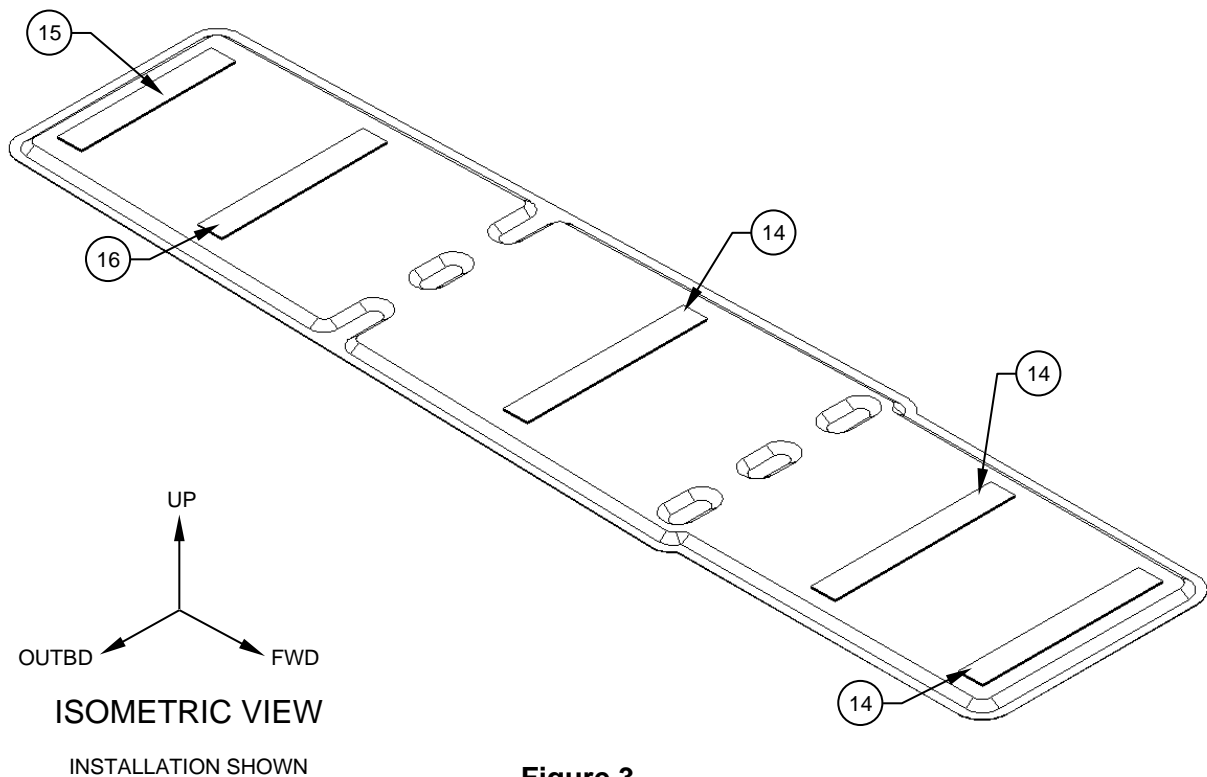


**Figure 2**



### Installation Instructions

3. Clean the areas between the felt pen marks with alcohol taking care not to wipe away the felt pen marks.
4. Individually peel each Velcro®, Detail off of the Floor Panel, Detail (Item 1) and apply adhesive (Item 8) to the non-hook faying surface.
5. Using the felt pen marks as reference points, apply the Velcro®, Details (Items 15, 16 & 17) to the honeycomb panel in their respective locations. Reference Figure 3. Apply adequate pressure to ensure a secure bond.
6. After the adhesive cures, re install the Floor Panel, Assy (Item 1) onto Velcro® strips.

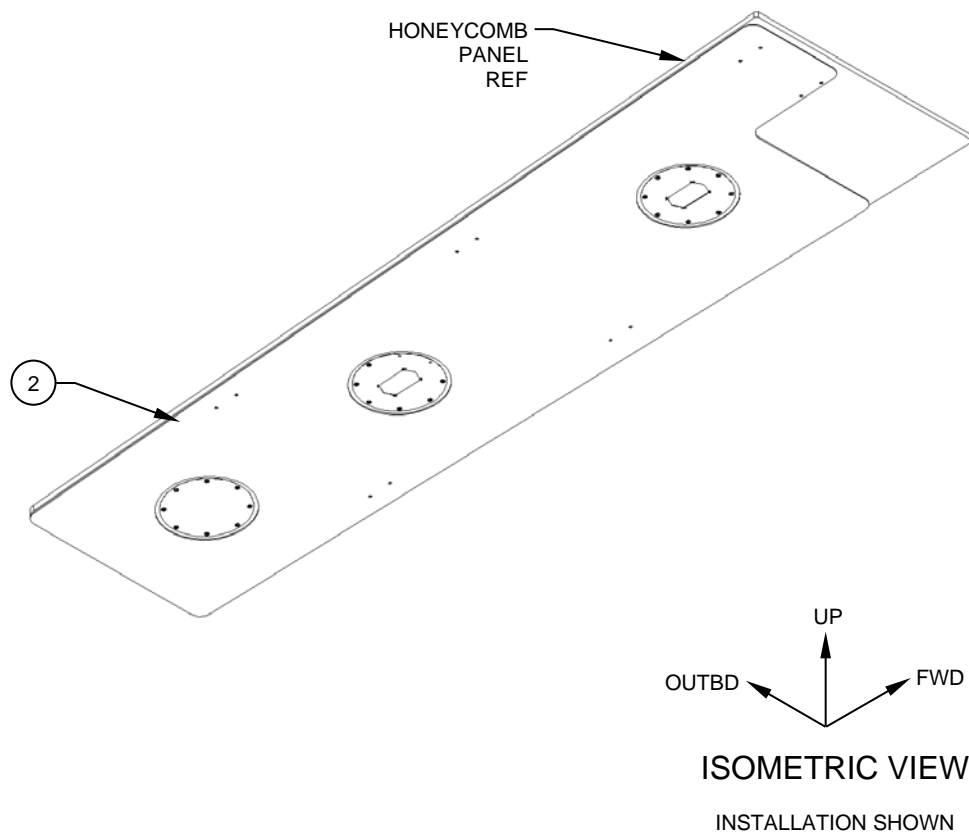


**Figure 3**



**Installation Instructions**

7. Pre-fit the Roof Panel, Detail (Assy 2) by lining up the circular cut outs with the circular light and inspection panel attached to the roof honeycomb panel. Reference Figure 4.

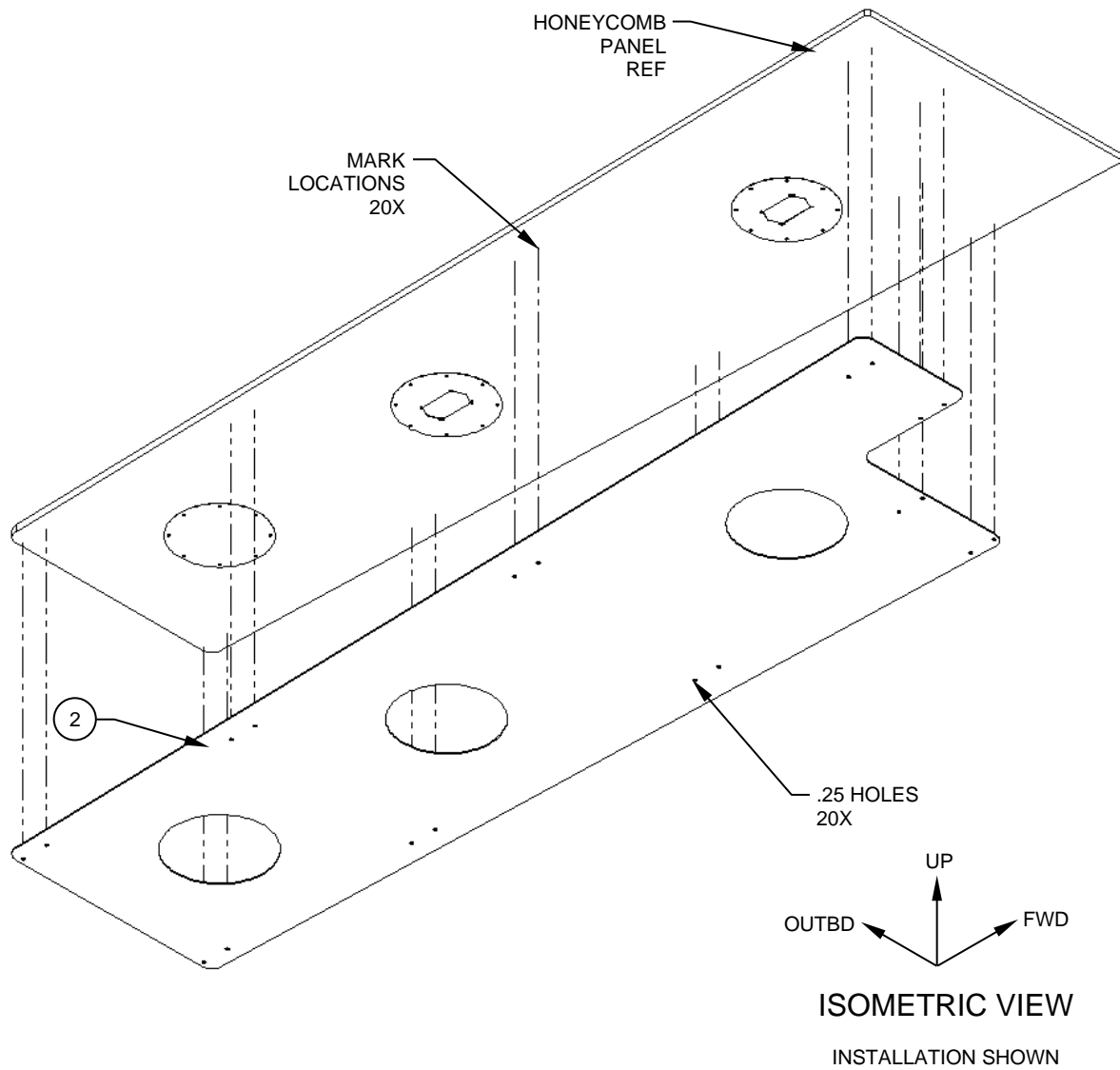


**Figure 4**



**Installation Instructions**

8. With the Roof Panel, Detail (Assy 2) lined up use the pre-cut .25 holes and a felt pen to mark out the locations for the Velcro®, Details (Items 19 & 20), and remove the panel (Item 2). Reference Figure 5.



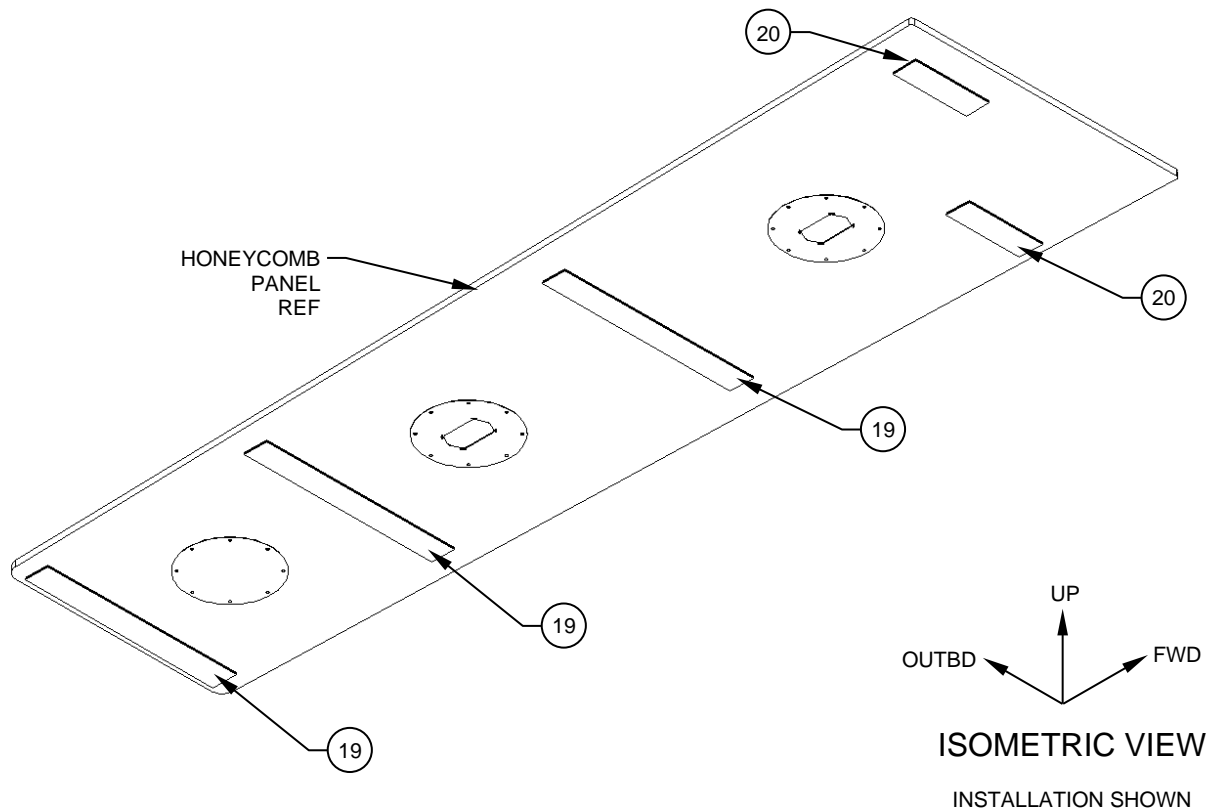
**Figure 5**





## Installation Instructions

9. Clean the areas between the felt pen marks with alcohol taking care not to wipe away the felt pen marks.
10. Individually peel each Velcro®, Detail off of the Roof Panel, Assy (Item 2) and apply adhesive (Item 10) to the non-hook faying surface.
11. Using the felt pen marks as reference points, apply the Velcro®, Details (Items 19 & 20) to the honeycomb panel in their respective locations. Reference Figure 6. Apply adequate pressure to ensure a secure bond.
12. After the adhesive cures, re-install the Roof Panel, Detail (Item 2) onto Velcro® strips.

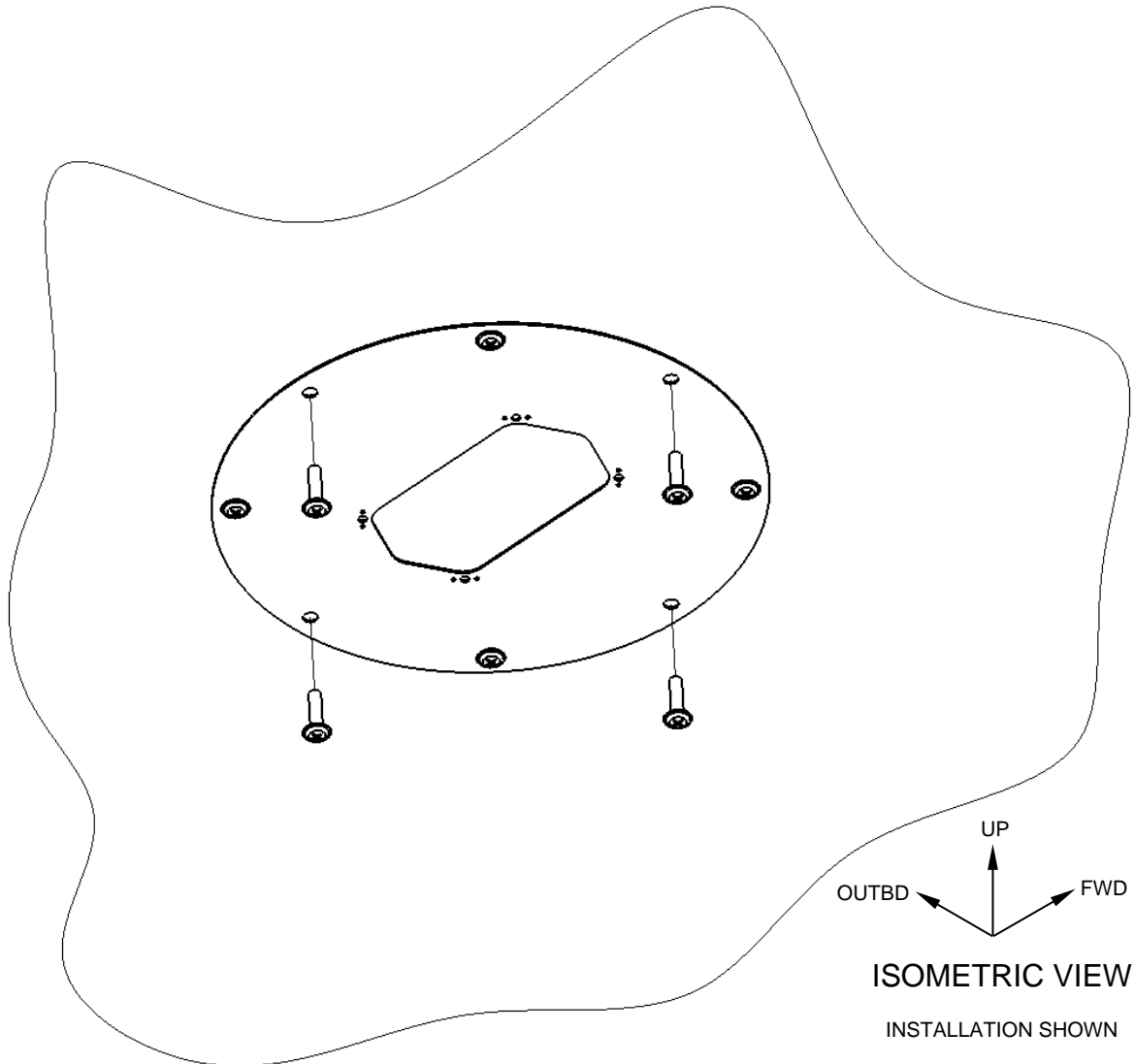


**Figure 6**



**Installation Instructions**

13. Remove every second fastener from the two light panels and one inspection panel that are fastened to the honeycomb panel. Reference Figure 7.

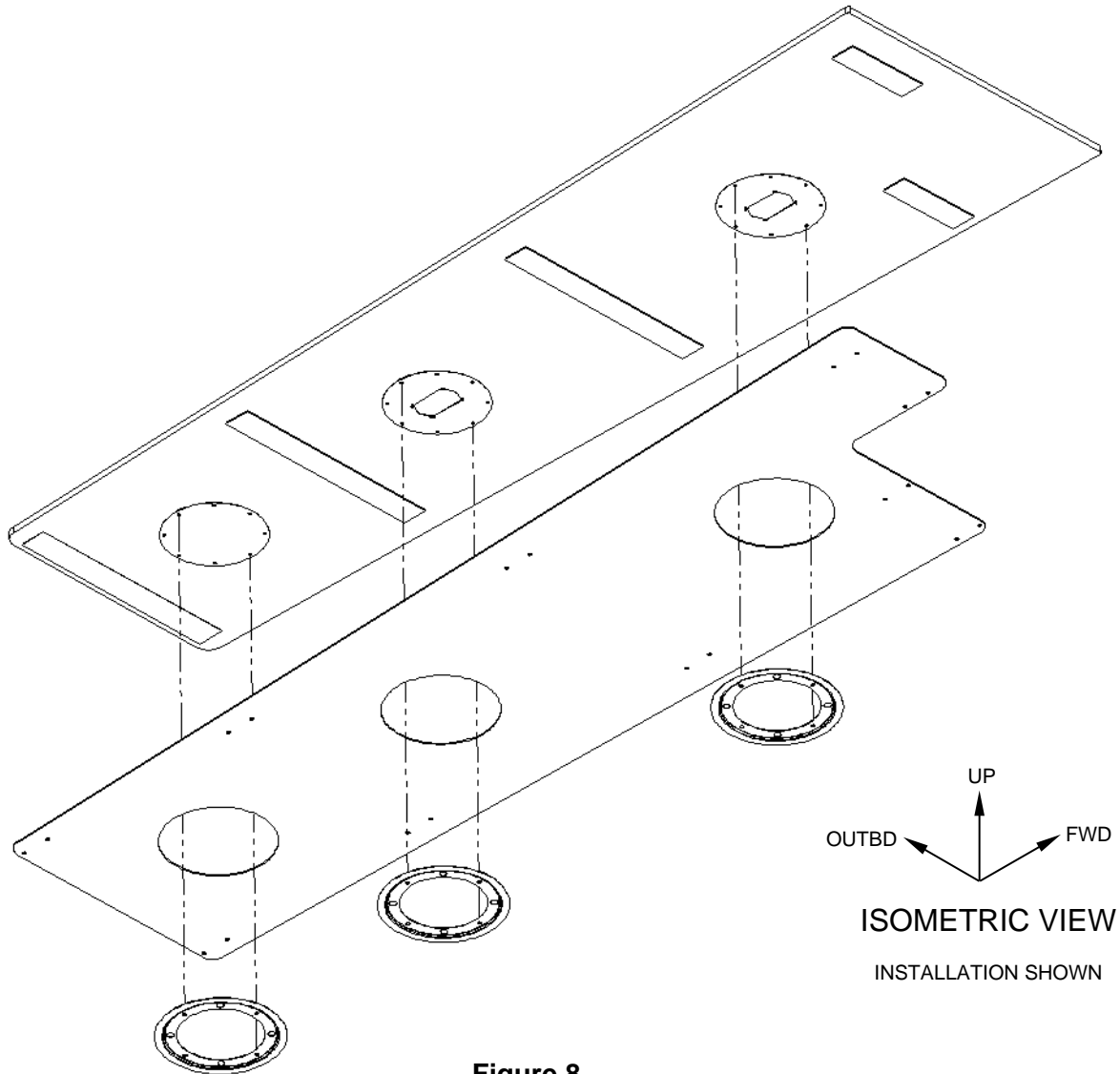


**Figure 7**



**Installation Instructions**

14. Re-install the Roof Panel, Detail (Item 2) centering on the three cut outs. Using the Velcro® to hold the panel in place, install the three Retaining Ring, Details (Item 9) with existing hardware. Reference Figure 8.



**Figure 8**



---

## **Installation Instructions**

15. For the remaining six panels (Items 3, 4, 5, 6, 7 & 8), line the protector panel up with the edges of its corresponding honeycomb panel. Using the .25 holes and a felt pen, mark the locations for the corresponding Velcro®, Details.
16. Clean the areas between the felt pen marks with alcohol taking care not to wipe away the felt pen marks.
17. Individually peel each Velcro®, Detail off of the Panel, Details (Items 3, 4, 5, 6, 7 & 8) and apply adhesive (Item 10) to the non-hook facing surface.
18. Using the felt pen marks as reference points, apply the Velcro®, Details to the honeycomb panel in their respective locations. Apply adequate pressure to ensure a secure bond.
19. After the adhesive cures per the adhesive manufacturer's instructions, re-install the Panel, Details (Items 3, 4, 5, 6, 7 & 8) onto Velcro® strips.
20. Installation complete.
21. Perform a General Inspection of all items to ensure proper installation.
22. Update the aircraft logbook for the installation of the Baggage Compartment, Protection, Kit.