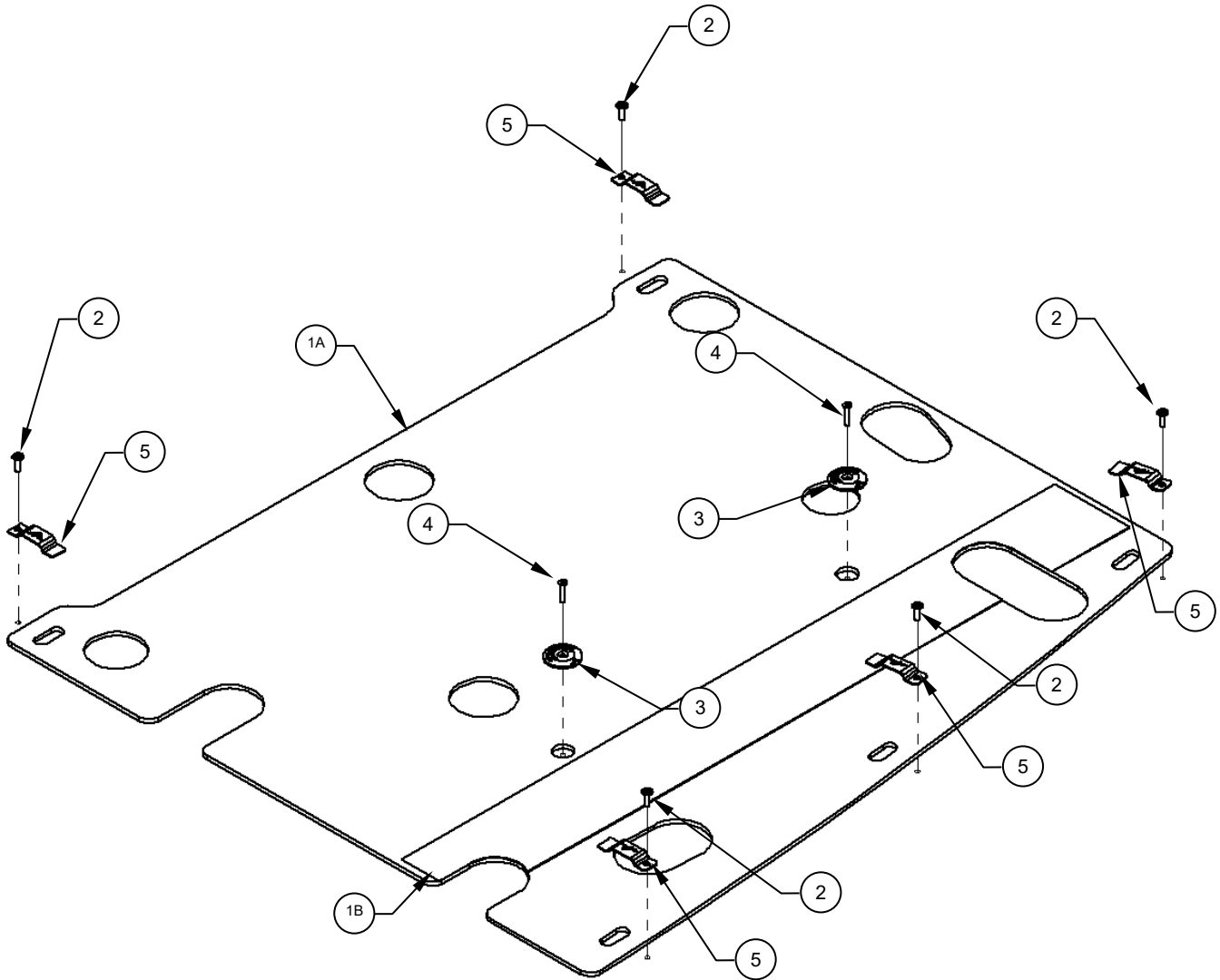


**FLOOR BOARD, KIT, LHS  
ILLUSTRATED PARTS BREAKDOWN**

**MODELS: BELL 205, 212, 412, 412CF & 412EP**

**Illustrated Parts Breakdown**



**Figure 1**  
Some Cutouts  
Shown



# ALPINE AEROTECH LTD.

www.alpineaerotech.com



1260 Industrial Road, Kelowna, B.C., Canada V1Z 1G5

Phone: (250) 769-6344 Fax: (250) 769-6303

admin@alpineaerotech.com

ITEM	QTY	NUMBER	DESCRIPTION	MATERIAL	REF STOCK SIZE	SPEC	FINISH	MANUFACTURER	NCAGEC
-	-	AAL-212-020-017	FLOOR BOARD, KIT, LHS	C/O SHADED ITEMS ONLY					
1	1	AAL-212-021-017	FLOOR BOARD, ASSY, LHS	NA	NA	NA	NA	ALPINE AEROTECH LTD.	L0171
1A	1	.188" x 48" x 96"	NA	NA	.1875 THK	SEE MFR	SEE MFR	NA	NA
1B	1	NA	SAFETY-WALK GENERAL PURPOSE GRIP TAPE	NA	35.00"	NA	NA	NA	NA
2	5	AN525-10R10	SCREW, WASHER HEAD	SEE SPEC	SEE SPEC	NASM525	SEE SPEC	SOURCE AS REQUIRED	NA
3	2	AAL-212-022-010	RETAINER, DETAIL	NA	Ø1.50	NA	SEE NOTES	ALPINE AEROTECH LTD.	L0171
4	2	MS24694-S56	SCREW, MACHINE	SEE SPEC	SEE SPEC	NASM24694	SEE SPEC	SOURCE AS REQUIRED	NA
5	5	AAL-212-022-012	CLIP, DETAIL	NA	0.05	NA	SEE SPEC	ALPINE AEROTECH LTD.	L0171