

## **FLOOR BOARD, KIT, LHS INSTALLATION INSTRUCTIONS**

**MODELS: BELL 205, 212, 412, 412CF & 412EP**

Read all of the installation instructions thoroughly  
prior to the installation of this product

## Weight & Balance

<u>Part Number</u>	<u>Description</u>	<u>Weight</u>	<u>Long. Arm</u>	<u>Lat. Arm</u>
AAL-212-020-017	Floor Board, Kit, LHS	5.58*	146.87	30.19 LBL
		2.53 (Kg)	3.73 (m)	0.77 (m) LBL

\* Total increase in weight to aircraft.

## General Notes

1. All Installation Instructions must be completed in accordance with standard aircraft practices. Refer to the current revision of the FAA manual AC 43.13, Aircraft Inspection, Repair & Alterations, for instructions.
2. All Hardware must be torqued to standard aircraft specifications. Refer to the current revision of the FAA manual AC 43.13, Aircraft Inspection, Repair & Alterations, for instructions.
3. All Dimensions are in imperial measures (inches/pounds).
4. Refer to the Floor Board, Kit, LHS Illustrated Parts Breakdown for the part numbers of the items contained within this document.
5. Refer to the Floor Board, Kit, LHS Maintenance Manual Supplement for the inspection and maintenance of the items contained within this document.

## Installation Notes

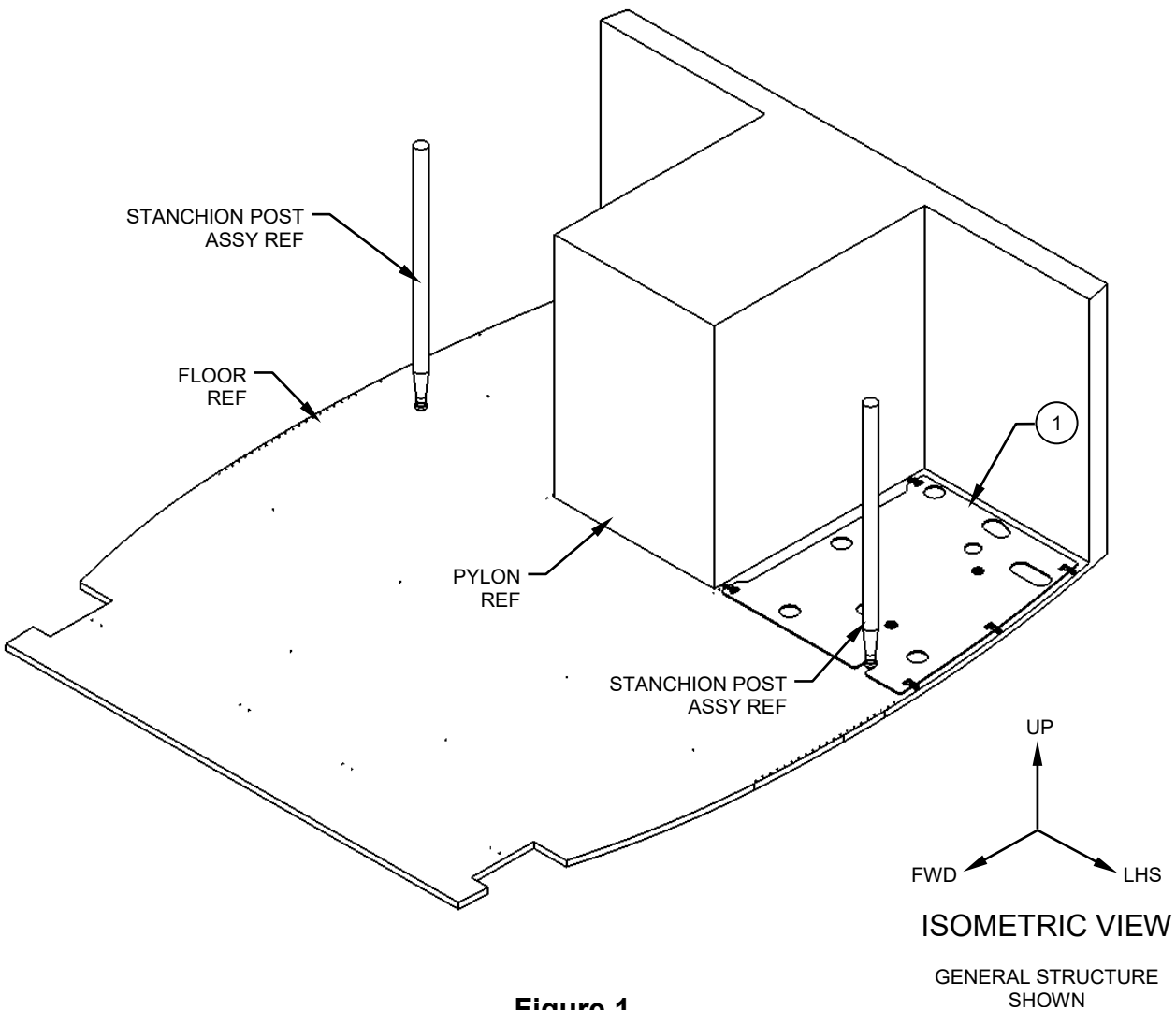


Cutouts may be added as required. If cutouts are added, Weight & Balance must be recalculated accordingly.

**Installation Instructions**

1. Temporarily remove the 2 Man, LHS, outboard facing seat/seat legs and any other fixed or loose items the may obstruct the installation of the Floor Board Assy, Item 1. Reference Figure 1.

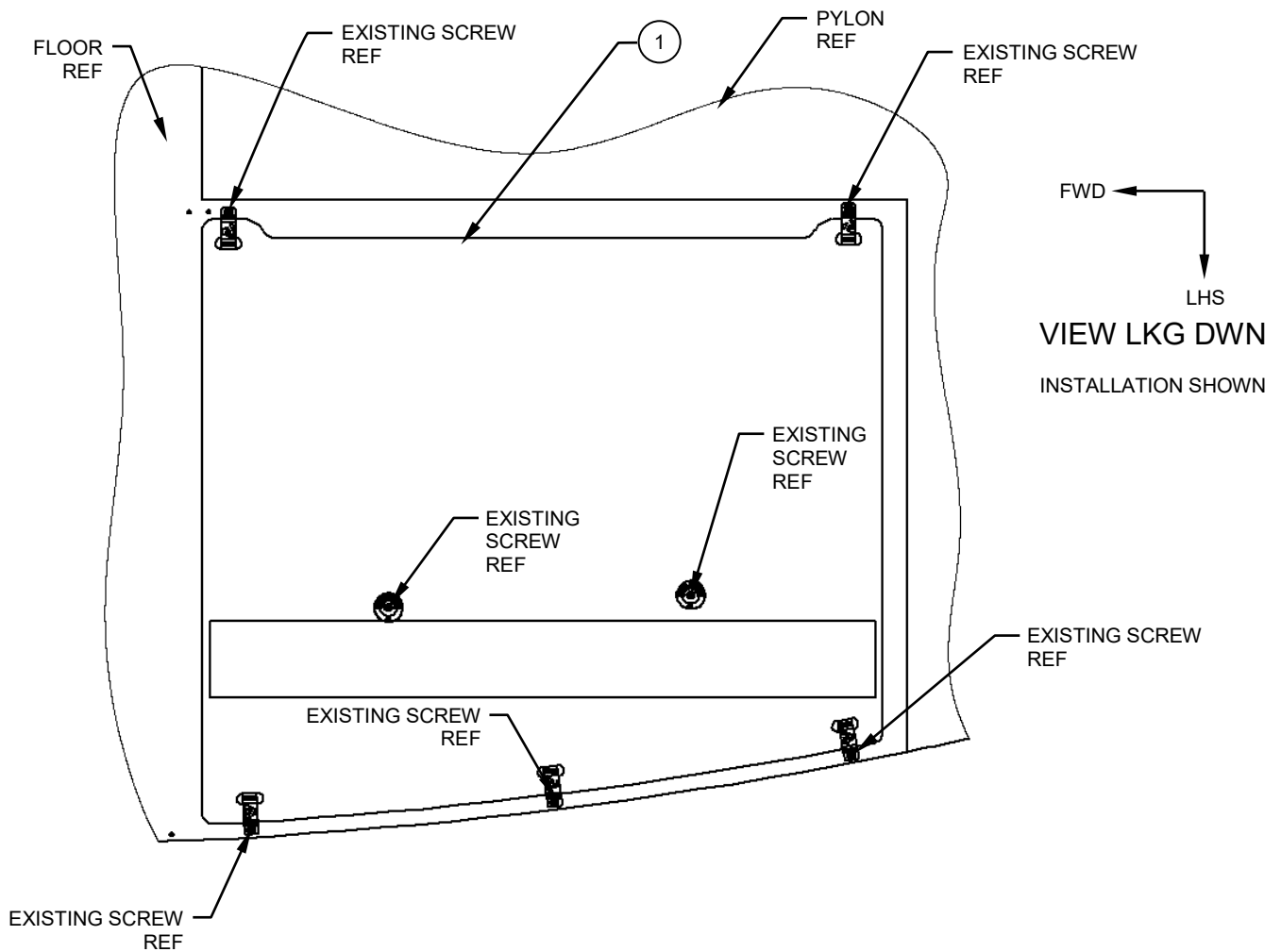
**NOTE: Removal of the Stanchion Post assy may not be required.**



**Figure 1**

**Installation Instructions**

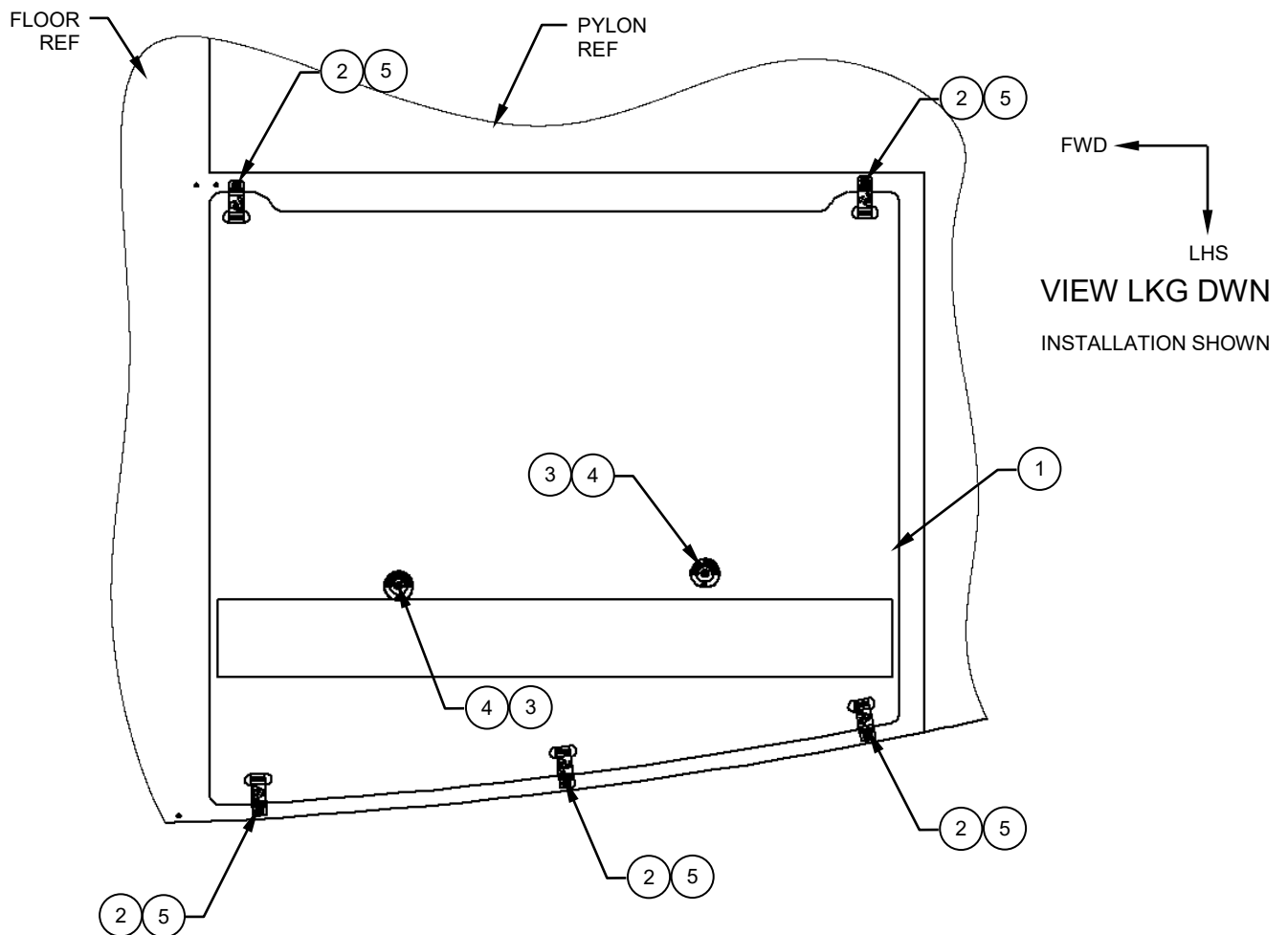
2. Install the Floor Board Assy, Item 1, as shown. Reference Figure 2.
3. Remove and discard the existing floor panel hardware, 7 places, from the locations shown. Reference Figure 2.



**Figure 2**

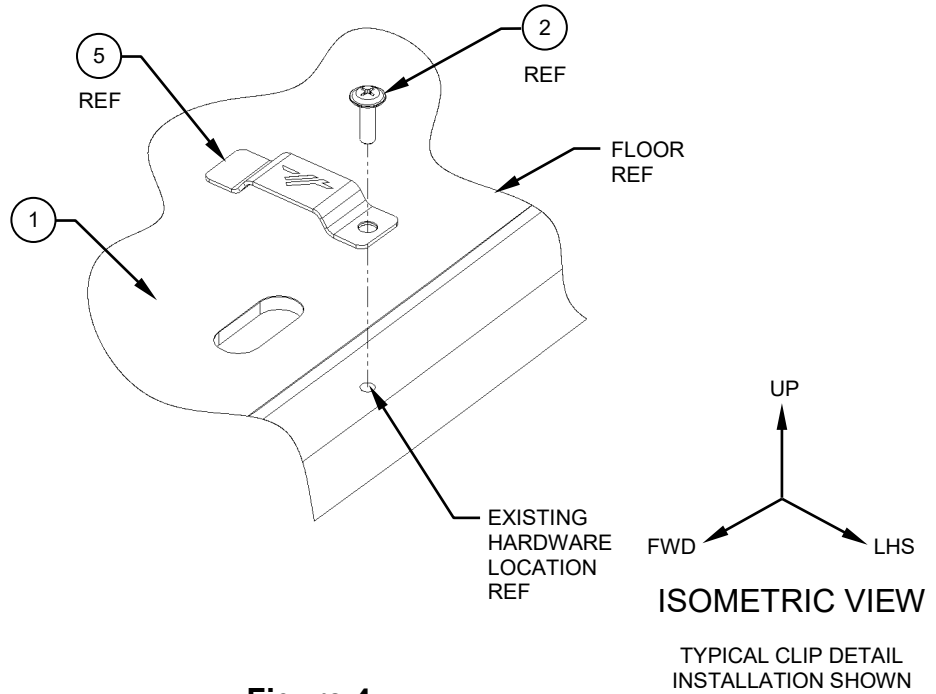
## Installation Instructions

4. Install the Clip Details, Item 5, and mounting hardware in the existing hardware locations. Reference Figure 3 & 4.
5. Install the Retainer Details, Item 3, and mounting hardware in the existing hardware locations. Reference Figure 3 & 5.

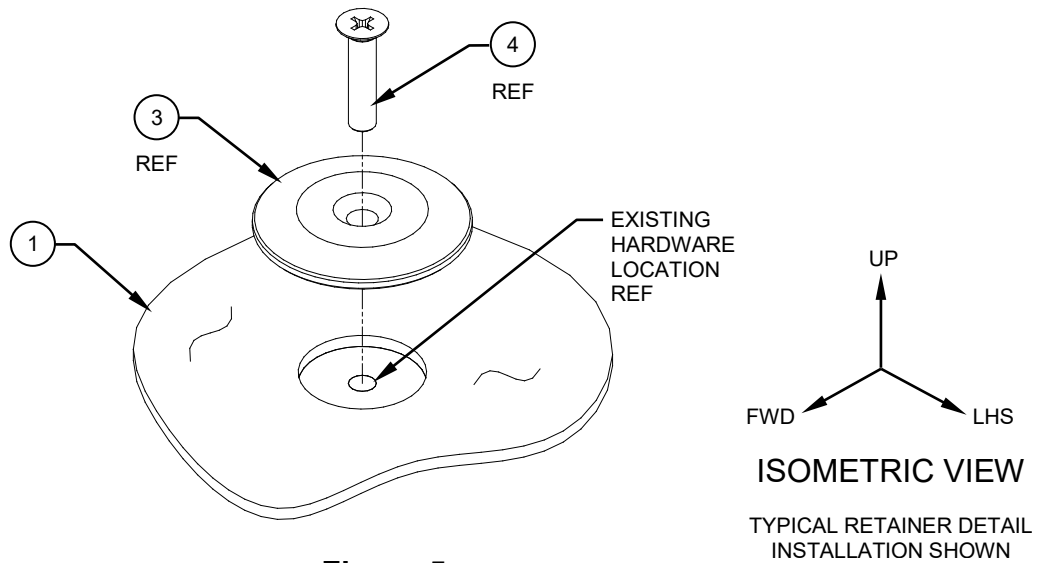


**Figure 3**

**Installation Instructions**



**Figure 4**

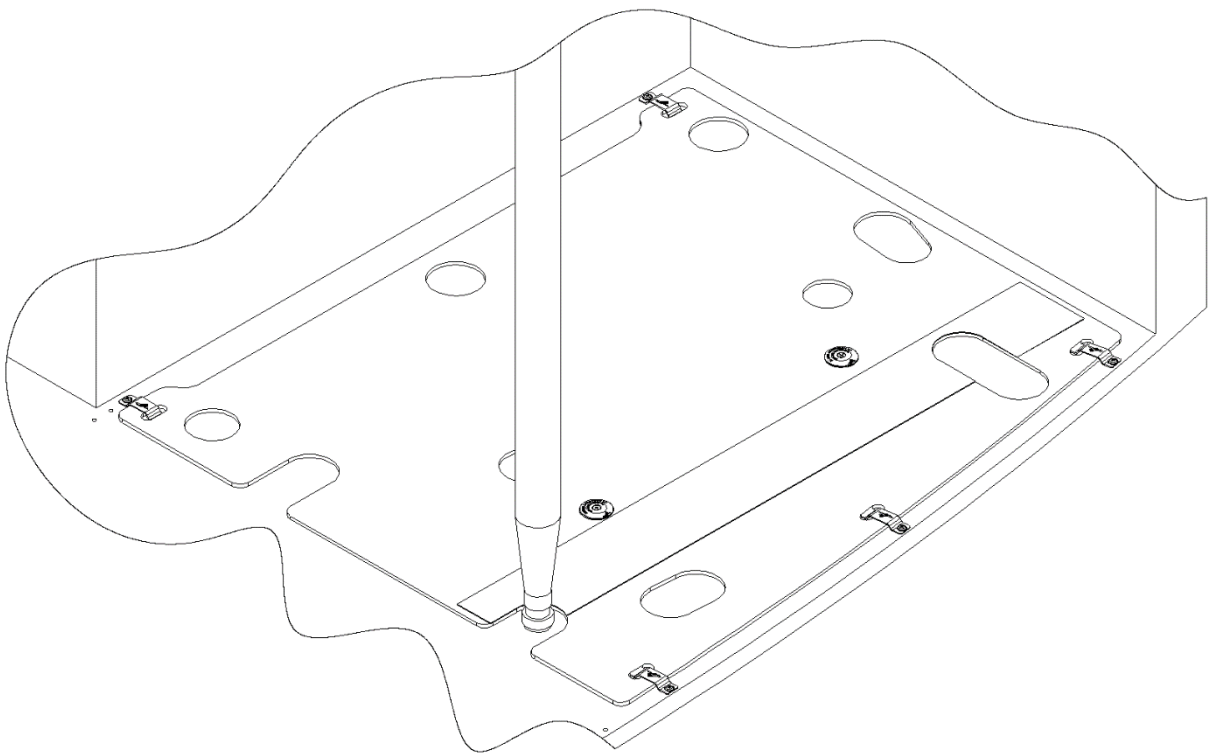


**Figure 5**

## **Installation Instructions**

### **Grip Tape Install**

6. Placement of the Grip Tape, is optional. Its location is approximate and can be placed to suite the individual operators needs. See Figure 6.
7. Trimming may be required to clear the existing floor cutouts.



**Figure 6**

8. Ensure that adequate pressure is applied to promote a good bond between the grip tape and panel assy. **NOTE:** The tape will go from a milky to a more translucent appearance once it has bonded properly.

## **Installation Instructions**

9. Re-install the 2 Man, LHS, outboard facing seat/seat legs and any fixed or loose items previously removed. Reference Step 1.
10. Installation complete.
11. Perform a general inspection of all items to ensure proper installation.
12. Update the aircraft log book for the installation of the Floor Board, Kit, LHS.