

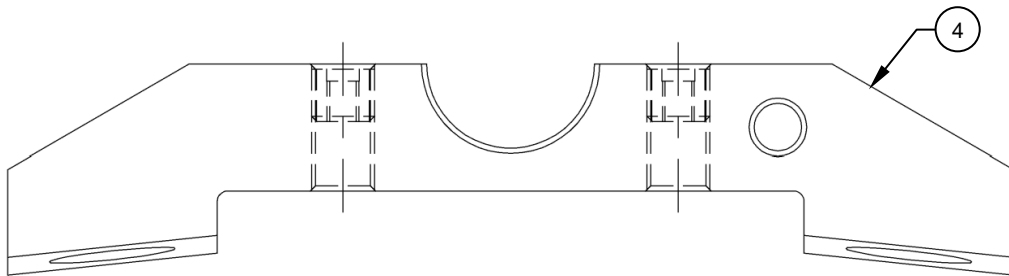
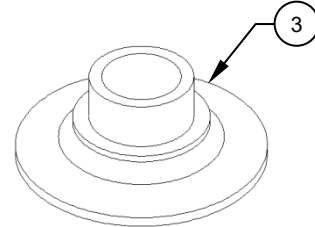
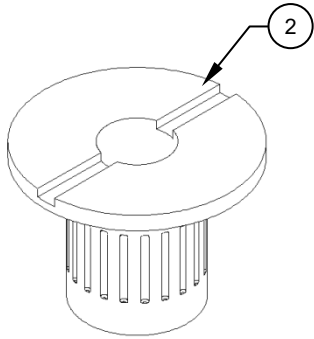
## **CARGO MIRROR/PULSE LIGHT, KIT ILLUSTRATED PARTS BREAKDOWN**

**MODELS: BELL 205A-1**

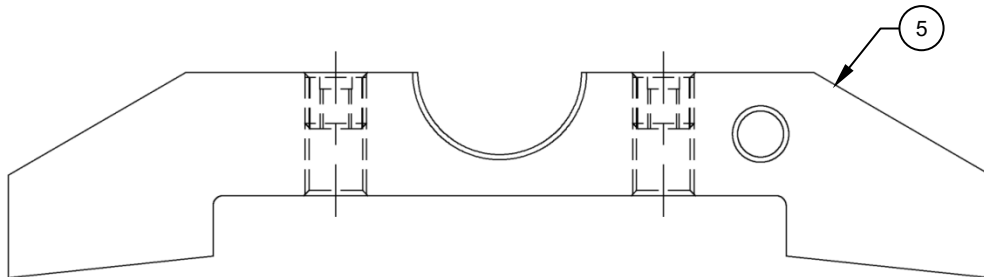


## General Notes

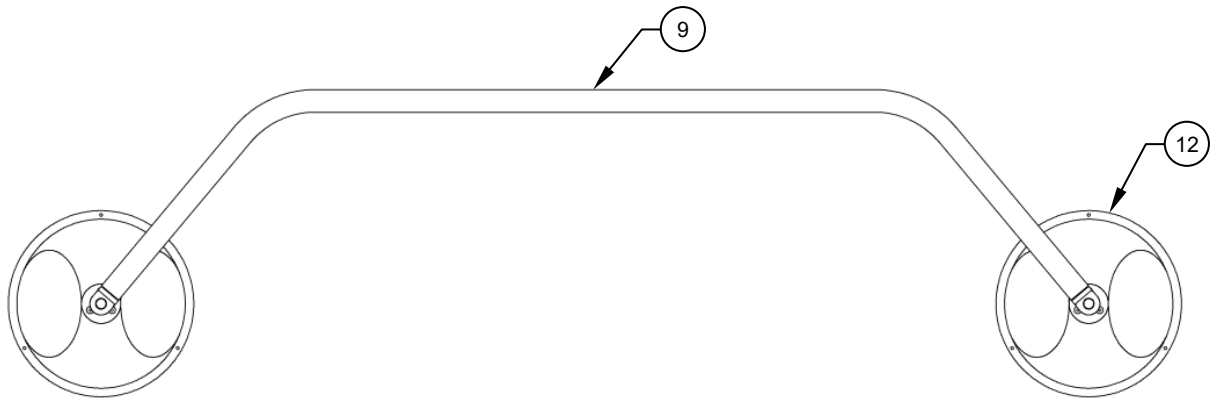
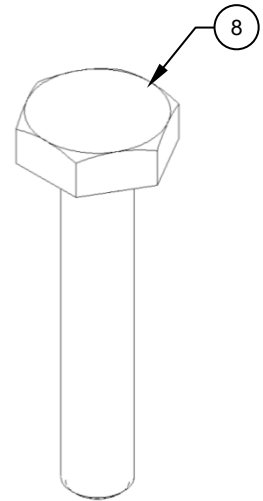
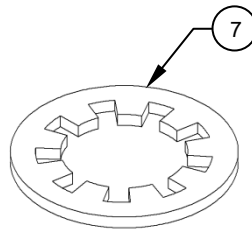
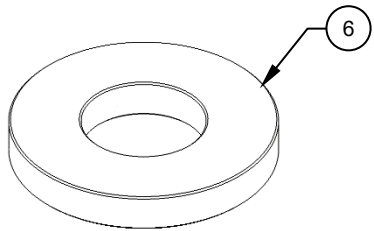
1. Alternate items listed.
  2. If changes to this document are required, Alpine Aerotech LP shall revise all pages and reissue the entire document.
  3. Alpine Aerotech LP shall make any subsequent revisions of this document available upon request. Alpine Aerotech LP also recommends that the end user of this product periodically verify the revision level of this document.
- △<sub>1</sub> Not supplied, procure item locally.
- △<sub>2</sub> Not shown. See wiring diagram in Installation Instructions (AAL-290-015-003).

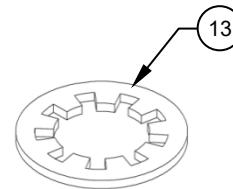
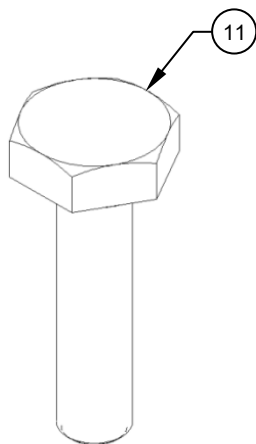
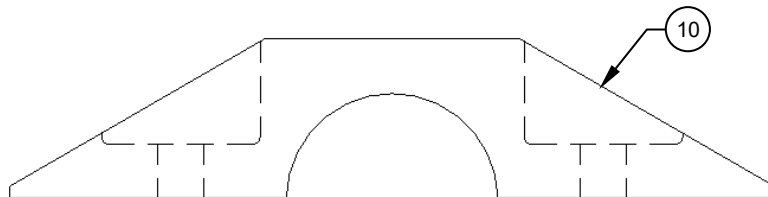


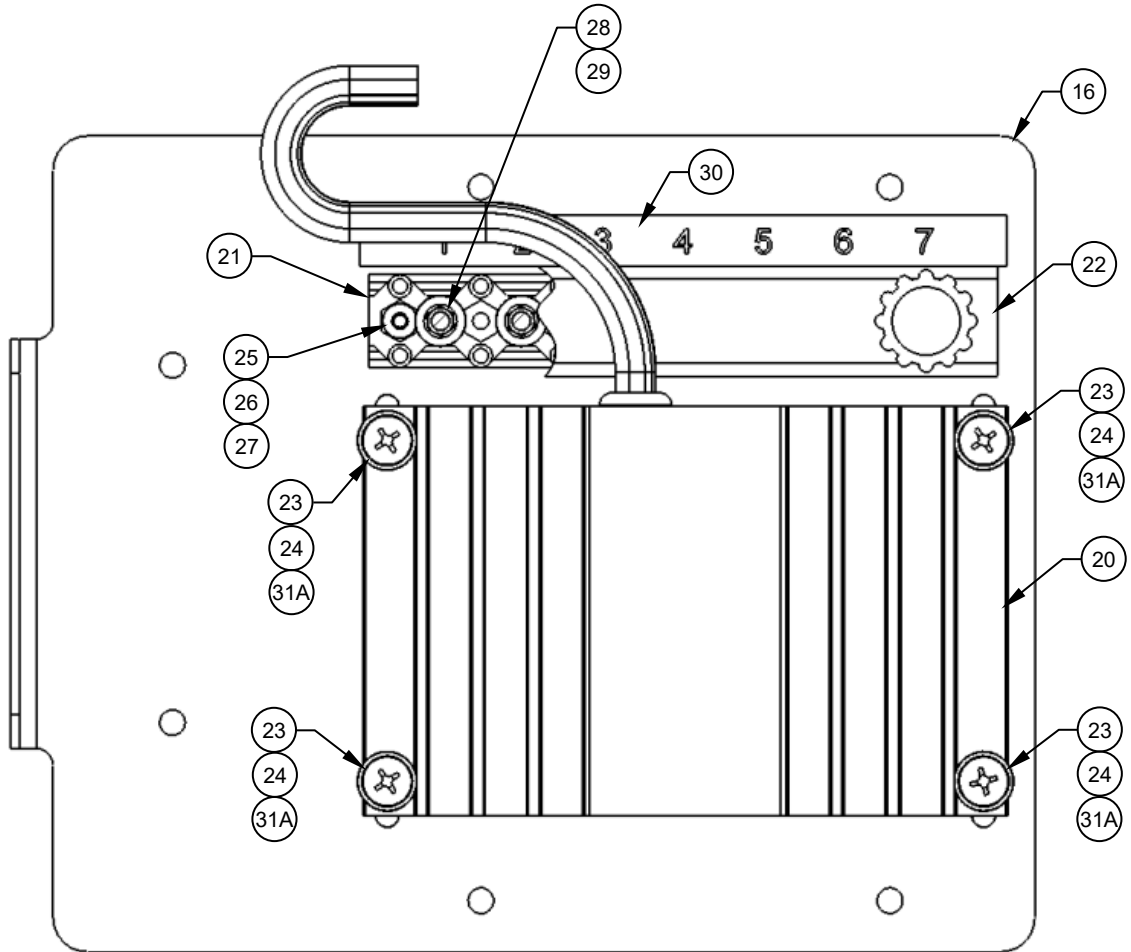
Mounting Block,  
Assy, LHS Shown



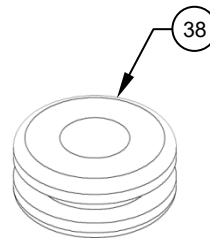
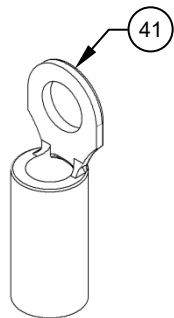
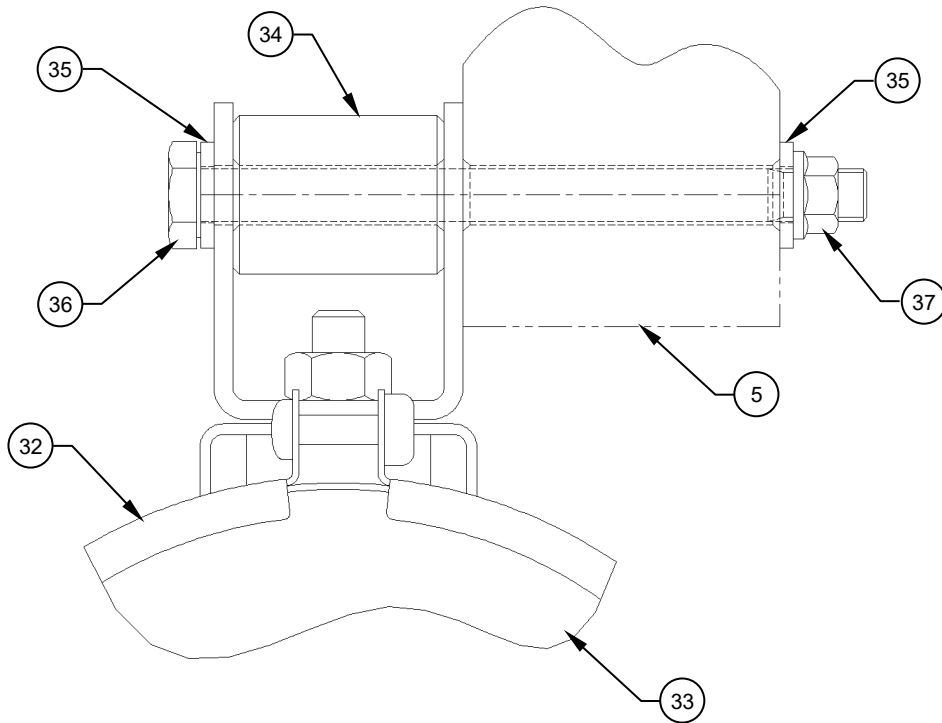
Mounting Block,  
Assy, RHS Shown

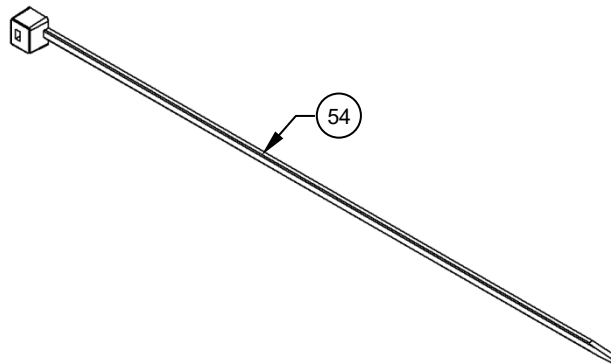
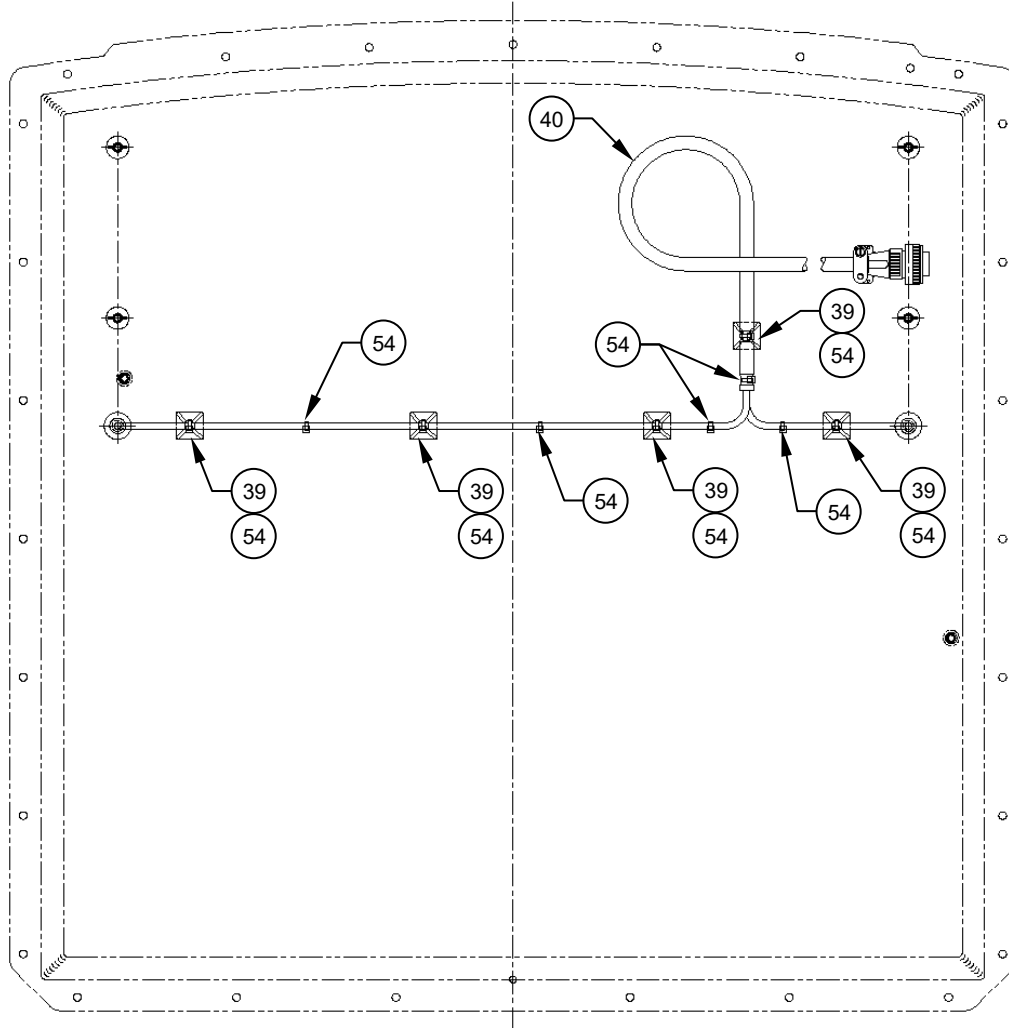




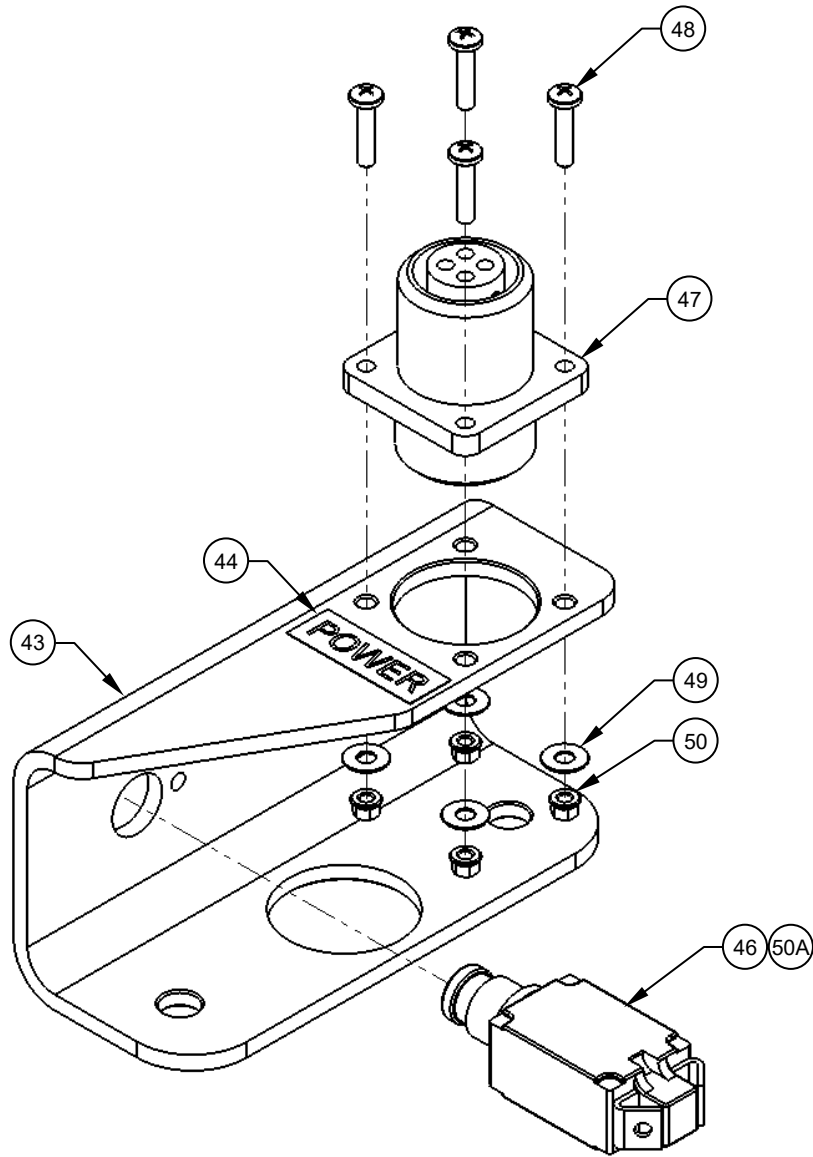


Control Unit, Assy  
Item 15  
Some items not shown for clarity

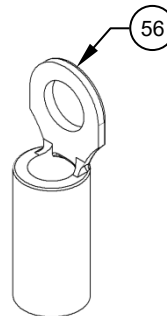
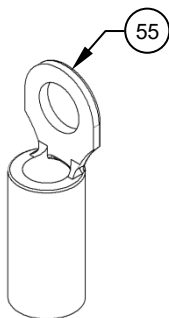
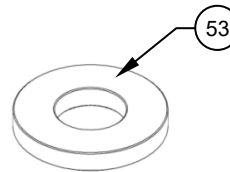
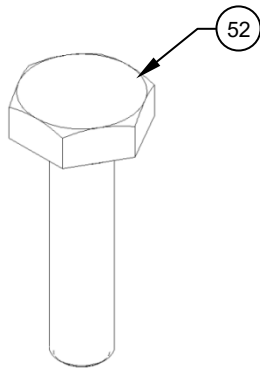
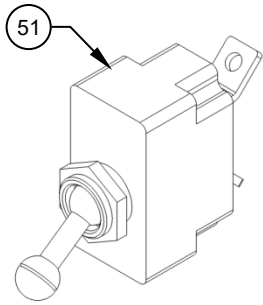








Bracket, Assy  
Item 42  
Some items not shown for clarity



## Parts List – 205A-1

ITEM	QTY	NUMBER	DESCRIPTION	MATERIAL	REF STOCK SIZE	SPEC	FINISH	MANUFACTURER	NCAGEC
-	-	AAL-290-010-901	205A-1 CARGO MIRROR/PULSE LIGHT, KIT	C/O SHADED ITEMS ONLY					
1	1	AAL-290-010-002	CARGO MIRROR, KIT	NA	NA	NA	NA	ALPINE AEROTECH LTD.	L0171
2	4	>80-013-S3F08K-9	INSERT, SLEEVE	SEE MFR	SEE MFR	SEE MFR	SEE MFR	BELL HELICOPTER	97499
2	4	>SLS196FK1032-08	INSERT, SLEEVE	SEE MFR	SEE MFR	SEE MFR	SEE MFR	SHUR-LOK CORP.	98393
2	4	>TYES196F1032-08K	INSERT, SLEEVE	SEE MFR	SEE MFR	SEE MFR	SEE MFR	THE YOUNG ENGINEERS	56958
3	4	>80-013-P3D1-9	INSERT, PLUG	SEE MFR	SEE MFR	SEE MFR	SEE MFR	BELL HELICOPTER	97499
3	4	>P196D10-1	INSERT, PLUG	SEE MFR	SEE MFR	SEE MFR	SEE MFR	ALCOA GLOBAL FASTENERS INC.	83324
4	1	>AAL-290-011-003	MOUNTING BLOCK, ASSY, LHS	NA	NA	NA	NA	ALPINE AEROTECH LTD.	L0171
5	1	>AAL-290-011-004	MOUNTING BLOCK, ASSY, RHS	NA	NA	NA	NA	ALPINE AEROTECH LTD.	L0171
6	8	>NAS1149F0363P	WASHER, FLAT	SEE SPEC	SEE SPEC	NAS1149	SEE SPEC	SOURCE AS REQUIRED	NA
7	8	>MS35333-39	WASHER, LOCK	SEE SPEC	SEE SPEC	MS35333	SEE SPEC	SOURCE AS REQUIRED	NA
8	4	>AN3-10A	BOLT, MACHINE	SEE SPEC	SEE SPEC	NASM3THRU20	SEE SPEC	SOURCE AS REQUIRED	NA
9	1	>AAL-290-011-005	CROSS TUBE, ASSY	NA	NA	NA	NA	ALPINE AEROTECH LTD.	L0171
10	2	>AAL-706-103-103	CAP, DETAIL	NA	NA	NA	NA	ALPINE AEROTECH LTD.	L0171
11	4	>AN3-6A	BOLT, MACHINE	SEE SPEC	SEE SPEC	NASM3THRU20	SEE SPEC	SOURCE AS REQUIRED	NA
12	2	>12182	MIRROR, ASSY	SEE MFR	SEE MFR	SEE MFR	SEE MFR	GROTE INDUSTRIES	NA
12	2	>12183	MIRROR, ASSY	SEE MFR	SEE MFR	SEE MFR	SEE MFR	GROTE INDUSTRIES	NA
13	2	>MS35333-40	WASHER, LOCK	SEE SPEC	SEE SPEC	MS35333	SEE SPEC	SOURCE AS REQUIRED	NA
14	1	AAL-290-010-004	PULSE LIGHT, KIT	NA	NA	NA	NA	ALPINE AEROTECH LTD.	L0171
15	1	>AAL-290-011-020	CONTROL UNIT, ASSY	NA	NA	NA	NA	ALPINE AEROTECH LTD.	L0171
16	1	>>AAL-290-011-006	MOUNTING PLATE, ASSY	NA	NA	NA	NA	ALPINE AEROTECH LTD.	L0171
17	-	-	<b>ITEM NUMBER NOT USED</b>	-	-	-	-	-	-
18	-	-	<b>ITEM NUMBER NOT USED</b>	-	-	-	-	-	-
19	1	>>AAL-290-011-011	WIRING HARNESS, ASSY	NA	NA	NA	NA	ALPINE AEROTECH LTD.	L0171

## Parts List – 205A-1 (cont.)

ITEM	QTY	NUMBER	DESCRIPTION	MATERIAL	REF		FINISH	MANUFACTURER	NCAGEC
					STOCK SIZE	SPEC			
20	1	>>AAL-290-011-012	PULSE LIGHT MODULE, ASSY	NA	NA	NA	NA	ALPINE AEROTECH LTD.	L0171
21	1	>>MS27212-1-7	TERMINAL BOARD, ASSY	SEE SPEC	SEE SPEC	AS27212	SEE SPEC	SOURCE AS REQUIRED	NA
22	1	>>MS18029-1S-7	COVER, ASSY	SEE SPEC	SEE SPEC	MS18029	SEE SPEC	SOURCE AS REQUIRED	NA
23	4	>>NAS1149F0332P	WASHER, FLAT	SEE SPEC	SEE SPEC	NAS1149	SEE SPEC	SOURCE AS REQUIRED	NA
24	4	>>MS27039-1-12	SCREW, MACHINE	SEE SPEC	SEE SPEC	NASM27039	SEE SPEC	SOURCE AS REQUIRED	NA
25	2	>>NAS1149FN416P	WASHER, FLAT	SEE SPEC	SEE SPEC	NAS1149	SEE SPEC	SOURCE AS REQUIRED	NA
26	2	>>MS35206-215	SCREW, MACHINE, PAN-HEAD	SEE SPEC	SEE SPEC	NASM35206	SEE SPEC	SOURCE AS REQUIRED	NA
27	2	>>MS21044-N04	NUT, SELF-LOCKING	SEE SPEC	SEE SPEC	NASM21044	SEE SPEC	SOURCE AS REQUIRED	NA
28	14	>>NAS1149FN632P	WASHER, FLAT	SEE SPEC	SEE SPEC	NAS1149	SEE SPEC	SOURCE AS REQUIRED	NA
29	7	>>MS21043-06	NUT, SELF-LOCKING	SEE SPEC	SEE SPEC	NASM21043	SEE SPEC	SOURCE AS REQUIRED	NA
30	1	>>AAL-706-130-242	DECAL, DETAIL	NA	NA	NA	NA	ALPINE AEROTECH LTD.	L0171
31	AR	>>MS3367-(-)-9	STRAP, TIE-DOWN, ELECTRICAL	SEE SPEC	SEE SPEC	AS33671	SEE SPEC	SOURCE AS REQUIRED	NA
31A	4	>>NAS42DD6-20N	SPACER	SEE SPEC	SEE SPEC	NAS42	SEE SPEC	SOURCE AS REQUIRED	NA
32	2	>01-0770155-00	HOUSING, ASSY	SEE MFR	SEE MFR	SEE MFR	SEE MFR	WHELEN ENGINEERING COMPANY INC.	10402
33	2	>01-0771833-25	LAMP, ASSY	SEE MFR	PAR-36, LED	SEE MFR	SEE MFR	WHELEN ENGINEERING COMPANY INC.	10402
34	2	>AAL-706-103-203	SPACER, DETAIL	NA	NA	NA	NA	ALPINE AEROTECH LTD.	L0171
35	4	>NAS1149F0463P	WASHER, FLAT	SEE SPEC	SEE SPEC	NAS1149	SEE SPEC	SOURCE AS REQUIRED	NA
36	2	>AN4-31A	BOLT, MACHINE	SEE SPEC	SEE SPEC	NASM3THRU20	SEE SPEC	SOURCE AS REQUIRED	NA
37	2	>NAS9926-4L	NUT, SELF LOCKING	SEE SPEC	SEE SPEC	NAS9926	SEE SPEC	SOURCE AS REQUIRED	NA
38	2	>MS35489-4	GROMMET	SEE SPEC	SEE SPEC	MS35489	SEE SPEC	SOURCE AS REQUIRED	NA
39	5	>ABMM	MOUNT, CABLE TIE	SEE MFR	SEE MFR	SEE MFR	SEE MFR	PANDUIT CORP	06383
40	1	>AAL-290-011-008	WIRING HARNESS, ASSY	NA	NA	NA	NA	ALPINE AEROTECH LTD.	L0171
41	8	>36152	TERMINAL, RING TONGUE, PIDG	SEE MFR	SEE MFR	SEE MFR	SEE MFR	TYCO ELECTRONICS	00779
42	1	>AAL-290-011-021	BRACKET, ASSY	NA	NA	NA	NA	ALPINE AEROTECH LTD.	L0171
43	1	>>AAL-290-012-010	BRACKET, DETAIL	NA	NA	NA	NA	ALPINE AEROTECH LTD.	L0171

## Parts List – 205A-1 (cont.)

ITEM	QTY	NUMBER	DESCRIPTION	MATERIAL	REF	STOCK SIZE	SPEC	FINISH	MANUFACTURER	NCAGEC	
44	1	>>AAL-706-103-244	DECAL, DETAIL	NA	NA	NA	NA	NA	ALPINE AEROTECH LTD.	L0171	
45	1	>>AAL-706-103-243	DECAL, DETAIL	NA	NA	NA	NA	NA	ALPINE AEROTECH LTD.	L0171	
46	1	>>MS26574-3	CIRCUIT BREAKER, AIRCRAFT, TRIP FREE, PUSH- PULL	SEE SPEC	SEE SPEC	AS26574	SEE SPEC	SEE SPEC	SOURCE AS REQUIRED	NA	
46	1	>>7274-2-3	CIRCUIT BREAKER, AIRCRAFT, TRIP FREE, PUSH- PULL	SEE SPEC	SEE SPEC	AS26574	SEE SPEC	SEE SPEC	TEXAS INSTRUMENTS INC.	82647	
47	1	>>AAL-290-011-017	WIRING HARNESS, ASSY	NA	NA	NA	NA	NA	ALPINE AEROTECH LTD.	L0171	
48	4	>>MS35206-216	SCREW, MACHINE, PAN- HEAD	SEE SPEC	SEE SPEC	NASM35206	SEE SPEC	SEE SPEC	SOURCE AS REQUIRED	NA	
49	4	>>NAS1149FN416P	WASHER, FLAT	SEE SPEC	SEE SPEC	NAS1149	SEE SPEC	SEE SPEC	SOURCE AS REQUIRED	NA	
50	4	>>MS21043-04	NUT, SELF LOCKING	SEE SPEC	SEE SPEC	NASM21043	SEE SPEC	SEE SPEC	SOURCE AS REQUIRED	NA	
50A	1	>>AAL-290-011-022	WIRING HARNESS, ASSY	NA	NA	NA	NA	NA	ALPINE AEROTECH LTD.	L0171	
50B	AR	>>MS3367-(-)-9	STRAP, TIE-DOWN, ELECTRICAL	SEE SPEC	SEE SPEC	AS33671	SEE SPEC	SEE SPEC	SOURCE AS REQUIRED	NA	
51	1	>7270-1-3	CIRCUIT BREAKER, AIRCRAFT, TRIP-FREE	SEE SPEC	SEE SPEC	AS58091	SEE SPEC	SEE SPEC	TEXAS INSTRUMENTS INC.	82647	
52	2	>AN4-3A	BOLT, MACHINE	SEE SPEC	SEE SPEC	NASM3THRU20	SEE SPEC	SEE SPEC	SOURCE AS REQUIRED	NA	
53	2	>NAS1149F0432P	WASHER, FLAT	SEE SPEC	SEE SPEC	NAS1149	SEE SPEC	SEE SPEC	SOURCE AS REQUIRED	NA	
54	AR	>MS3367-(-)-9	STRAP, TIE-DOWN, ELECTRICAL	SEE SPEC	SEE SPEC	AS33671	SEE SPEC	SEE SPEC	SOURCE AS REQUIRED	NA	
55	2	>36152	TERMINAL , RING TONGUE, PIDG	SEE MFR	SEE MFR	SEE MFR	SEE MFR	SEE MFR	TYCO ELECTRONICS	00779	
56	2	>35149	TERMINAL , RING TONGUE, PIDG	SEE MFR	SEE MFR	SEE MFR	SEE MFR	SEE MFR	TYCO ELECTRONICS	00779	
②		C01	AR	NA	ADHESIVE	MAGNOBOND 6398	SEE MFR	SEE MFR	NA	MAGNOLIA PLASTICS INC.	22121
①		C02	AR	NA	SELANT, FUEL TANK	PS 890, CLASS B	SEE MFR	AMS-S-8802	NA	PRC-DESOTO INTERNATIONAL	83574
①		C02	AR	NA	SELANT, FUEL TANK	CS 3204, CLASS B	SEE MFR	AMS-S-8802	NA	FLAMEMASTER CORPORATION	14439
①		C03	AR	NA	URETHANE ADHESIVE	SCOTCH-WELD 3549 B/A	SEE MFR	SEE MFR	NA	3M	76381